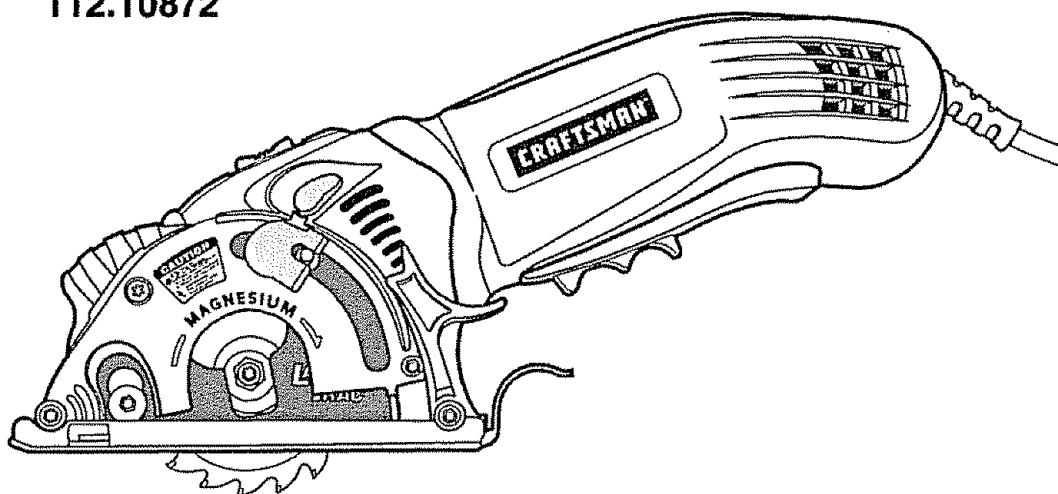


# Operator's Manual

## CRAFTSMAN®

### 2.8 Amp Compact Multi-Purpose / Plunge Action 3-in. Circular Saw with Laser Trac™

Model No.  
112.10872



 **DOUBLE INSULATED**

**⚠ CAUTION:** Read, understand and follow all Safety Rules and Operating Instructions in this Manual before using this product.

Sears, Roebuck and Co.,  
Hoffman Estates, IL 60179 U.S.A.  
Visit our Craftsman® website: [www.sears.com/craftsman](http://www.sears.com/craftsman)

- WARRANTY
- SAFETY
- UNPACKING
- DESCRIPTION
- OPERATION
- MAINTENANCE

## TABLE OF CONTENTS

Warranty.....	Page 2
Safety Symbols.....	Page 3
Safety Instructions.....	Pages 4-11
Glossary of Terms.....	Pages 11-12
Unpacking .....	Page 13
Description.....	Pages 14-15
Operation.....	Pages 16-31
Maintenance.....	Pages 31-32
Troubleshooting.....	Pages 33-34
Accessories.....	Page 35
Repair Parts.....	Pages 35-38
Sears Repair Parts Phone Numbers.....	Back Cover

### **ONE YEAR FULL WARRANTY ON CRAFTSMAN® PRODUCT**

If this Craftsman Tool fails due to a defect in material or workmanship within one year from the date of purchase, **RETURN IT TO ANY SEARS STORE OR PARTS AND REPAIR CENTER OR OTHER CRAFTSMAN OUTLET IN THE UNITED STATES FOR FREE REPAIR (OR REPLACEMENT IF REPAIR PROVES IMPOSSIBLE).**

This warranty does not include expendable parts such as lamps, batteries, bits or blades.

If this Craftsman product is used for commercial or rental purposes, this warranty applies for only 90 days from the date of purchase.

This warranty gives you specific legal rights, and you may have other rights, which vary from state to state.


Sears, Roebuck and Co., Hoffman Estates, IL 60179

**SAVE THESE INSTRUCTIONS!**  
**READ ALL INSTRUCTIONS!**

**⚠ WARNING: Some dust created by using power tools contains chemicals known to the State of California to cause cancer and birth defects or other reproductive harm.**


## SAFETY SYMBOLS


The purpose of safety symbols is to attract your attention to possible dangers. The safety symbols, and the explanations with them, deserve your **careful attention and understanding**. The symbol warnings **DO NOT** by themselves eliminate any danger. The instructions and warnings they give are no substitutes for proper accident prevention measures.


 **WARNING:** BE SURE to read and understand all safety instructions in this manual, including all safety alert symbols such as "DANGER", "WARNING" and "CAUTION", BEFORE using this saw. Failure to follow all instructions listed below may result in electric shock, fire and/or serious personal injury.

### SYMBOL MEANING

 **SAFETY ALERT SYMBOL:** Indicates DANGER, WARNING, OR CAUTION. May be used in conjunction with other symbols or pictographs.

 **DANGER** DANGER: Failure to obey this safety warning **WILL** result in death or serious injury to yourself or to others. Always follow the safety precautions to reduce the risk of fire, electric shock and personal injury.

 **WARNING** Failure to obey this safety warning **CAN** result in death or serious injury to yourself or to others. Always follow the safety precautions to reduce the risk of fire, electric shock and personal injury.


 **CAUTION** Failure to obey this safety warning **MAY** result in personal injury to yourself or others or property damage. Always follow the safety precautions to reduce the risk of fire, electric shock and personal injury.

### DAMAGE PREVENTION AND INFORMATION MESSAGES

These inform user of **important information and/or instructions** that could lead to equipment or other property damage if not followed. Each message is preceded by the word "NOTE:" as in the example below:

**NOTE:** Equipment and/or property damage may result if these instructions are not followed.



 **WARNING:** The operation of any tool with a circular blade can result in foreign objects being thrown into your eyes, which can result in severe eye damage. Before beginning power tool operation, **ALWAYS** wear safety goggles or safety glasses with side shield and a full-face shield when needed. We recommend a Wide Vision Safety Mask for use over eyeglasses or standard safety glasses with side shield, available at Sears Stores or other Craftsman Outlets.

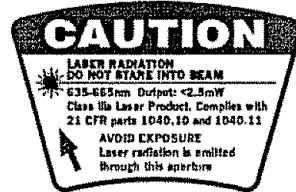
## SAFETY INSTRUCTIONS

**⚠ WARNING: BE SURE to read and understand all instructions in this manual before using this circular saw. Failure to follow all instructions may result in hazardous radiation exposure, electric shock, fire and/or serious personal injury.**

### SAFETY PRECAUTIONS FOR LASERS

This saw has a built-in laser light. The laser is a Class IIIa and emits output power of a maximum 2.5mW and 635-665nm wavelengths. These lasers do not normally present an optical hazard. However, **DO NOT** stare at the beam as this can cause flash blindness.

**CAUTION:** The following label is on your saw. It indicates where the saw emits the laser light. **BE AWARE** of the laser light location when using. **ALWAYS MAKE SURE** that any bystanders in the vicinity of use are made aware of the dangers of looking directly into the laser.



**⚠ WARNING: LASER LIGHT. LASER RADIATION. Avoid Direct Eye Exposure. DO NOT stare into beam. Only turn laser beam on when the saw is on the workpiece. Class IIIa laser.**

**⚠ WARNING: Use of controls, adjustments or performance of procedures other than those specified in this manual may result in hazardous radiation exposure.**

**⚠ WARNING: The use of optical instruments such as, but not limited to, telescopes or transits to view the laser beam will increase eye hazard.**

1. **DO NOT** remove or deface any product labels. Removing product labels increases the risk of exposure to laser radiation.
2. The laser beam can be harmful to the eyes. **ALWAYS** avoid direct eye exposure. **DO NOT** look directly into the laser beam output aperture during operation. **DO NOT** project the laser beam directly into the eyes of others. Turn laser on **ONLY** when making cuts.
3. The laser on the saw is not a toy. **ALWAYS** keep out of the reach of children. The laser light emitted from this device **SHOULD NEVER** be directed towards any person for any reason.
4. **BE SURE** the laser beam is aimed at a workpiece (such as wood or rough coated surfaces) that does not have a reflective surface.
5. **DO NOT** use on surfaces such as sheet steel that have a shiny, reflective surface. The shiny surface could reflect the beam back at the operator. Be aware that laser light reflected off of a mirror or any other reflective surfaces can also be dangerous.
6. **ALWAYS** turn the laser beam off when not in use. Leaving the tool on increases the risk of someone inadvertently staring into the laser's beam.

**⚠ CAUTION: ALWAYS follow only the instructions contained in this manual when using this laser. Use of this feature in any manner other than what appears in this manual may result in a hazardous radiation exposure.**

7. **DO NOT** attempt to modify the performance of this laser device in any way. This may result in a dangerous exposure to laser radiation.

## **SAFETY INSTRUCTIONS cont.**

### **SAFETY PRECAUTIONS FOR LASERS cont.**

8. **ALWAYS** use only the accessories that are recommended by Sears for use with this product. Use of accessories that have been designed for use with other laser tools could result in serious injury.
9. For further information regarding lasers, refer to ANSI-Z136.1 The STANDARD FOR THE SAFE USE OF LASERS, available from the Laser Institute of America (407) 380-1553.

### **WORK AREA SAFETY**

1. **Keep your work area clean and well lit.** Cluttered workbenches and dark areas invite accidents.
2. **DO NOT operate power tools in explosive atmospheres, such as in the presence of flammable liquids, gases, or dust.** Power tools create sparks which may ignite the dust or fumes.
3. **Keep bystanders, children and visitors away while operating a power tool.** Distractions can cause you to lose control.
4. **Make your workshop childproof** with padlocks and master switches. Lock tools away when not in use.
5. **MAKE SURE the work area has ample lighting** so you can see the work and that there are no obstructions that will interfere with safe operation **BEFORE** using your saw.

### **PERSONAL SAFETY**

1. **KNOW your power tool.** Read the operator's manual carefully. Learn the saw's applications and limitations, as well as the specific potential hazards related to this tool.
2. **STAY ALERT,** watch what you are doing and use common sense when operating a power tool.
3. **DO NOT** use tool while tired or under the influence of drugs, alcohol or medication. A moment of inattention while operating power tools may result in serious personal injury.
4. **DRESS properly. DO NOT** wear loose clothing or jewelry. Pull back long hair. Keep your hair, clothing, and gloves away from moving parts. Air vents often cover moving parts and should also be avoided. Loose clothing, jewelry or long hair can be caught in moving parts.
5. **AVOID** accidental starting. Be sure switch is in "**OFF**" position before plugging in. **DO NOT** carry tools with your finger on the switch. Carrying tools with your finger on the switch or plugging in tools that have the switch in the "**ON**" position invites accidents.
6. **REMOVE** adjusting keys or wrenches before turning the tool "**ON**". A wrench that is left attached to a rotating part of the tool may result in personal injury.
7. **Do not overreach. Keep proper footing and balance at all times.** Proper footing and balance enables better control of the tool in unexpected situations.
8. **ALWAYS SECURE YOUR WORK.** Use clamps or a vise to hold work when practical. It is safer than using your hand and frees both hands to operate tool.
9. **USE SAFETY EQUIPMENT.** Always wear eye protection. Dust mask, non-skid safety shoes, hard hat, or hearing protection must be used for appropriate conditions.
10. **DO NOT USE ON A LADDER or unstable support.** Stable footing on a solid surface enables better control of the tool in unexpected situations.

## SAFETY INSTRUCTIONS cont.

### TOOL USE AND CARE SAFETY

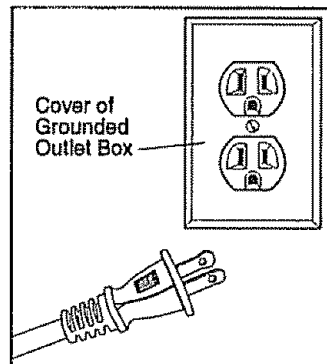
**⚠ WARNING:** BE SURE to read and understand all instructions before operating this saw. Failure to follow all instructions listed below may result in electric shock, fire and/or serious personal injury.

1. **ALWAYS** use clamps or other practical ways to secure and support the workpiece to a stable platform. Holding the work by hand or against your body is unstable and may lead to loss of control.
2. **DO NOT** force the tool. Use the correct tool and blade for your application. The correct tool and blade will do the job better and safer at the rate for which it is designed.
3. **DO NOT** use the tool if switch does not turn it "On" or "Off". Any tool that cannot be controlled with the switch is dangerous and must be repaired.
4. **DISCONNECT** the plug from the power source before making any adjustments, changing accessories or storing the tool. Such preventive safety measures reduce the risk of starting the tool accidentally.
5. **NEVER** leave the tool running. **ALWAYS** turn it off. **DO NOT** leave the tool until it comes to a complete stop.
6. **STORE** idle tools out of the reach of children and other untrained persons. Tools are dangerous in the hands of untrained users.
7. **MAINTAIN** tools with care. Keep cutting tools sharp and clean. Properly maintained tools with sharp cutting edges are less likely to bind and are easier to control.
8. **CHECK** for misalignment or binding of moving parts, breakage of parts, and any other condition that may affect the tool's operation. If damaged, have the tool serviced before using. Many accidents are caused by poorly maintained tools.
9. **USE ONLY** accessories that are recommended for this tool. Accessories that may be suitable for one tool may become hazardous when used on another tool.
10. **KEEP** blade guards in place and in good working order.

### ELECTRICAL SAFETY


**⚠ WARNING:** Do not permit fingers to touch the terminals of plug when installing or removing the plug from the outlet.

1. Double Insulated tools are equipped with a polarized plug (one blade is wider than the other). This plug will fit in a polarized outlet only one way. If the plug does not fit fully in the outlet, reverse the plug. If it still does not fit, contact a qualified electrician to install a polarized outlet. Do not change the plug in any way.
2. Double insulation eliminates the need for the three-wire grounded power cord and grounded power supply system. Applicable only to Class II (double-insulated) tools. This saw is a double insulated tool.



## **SAFETY INSTRUCTIONS cont.**

### **ELECTRICAL SAFETY cont.**

 **WARNING:** Double Insulation **DOES NOT** take the place of normal safety precautions when operating this tool.


3. **BEFORE** plugging in the tool, **BE SURE** that the outlet voltage supplied is within the voltage marked on the tool's data plate. **DO NOT** use "AC only" rated tools with a DC power supply.
4. **AVOID** body contact with grounded surfaces, such as pipes, radiators, ranges and refrigerators. There is an increased risk of electric shock if your body is grounded.
5. **DO NOT** expose power tools to rain or wet conditions or use power tools in wet or damp locations. Water entering a power tool will increase the risk of electric shock.
6. **INSPECT** tool cords for damage. Have damaged tool cords repaired at a Sears Service Center. **BE SURE** to stay constantly aware of the cord location and keep it well away from the moving blade.
7. **DO NOT** abuse the cord. **NEVER** use the cord to carry the tool by or pull the plug from the outlet. Keep cord away from heat, oil, sharp edges or moving parts. Replace damaged cords immediately. Damaged cords increase the risk of electric shock.

### **EXTENSION CORDS**

Use a proper extension cord. **ONLY** use cords listed by Underwriters Laboratories (UL). Other extension cords can cause a drop in line voltage, resulting in a loss of power and overheating of tool.

For this tool an AWG (American Wire Gauge) size of at least 14-gauge is recommended for an extension cord of 25-ft. or less in length. Use 12-gauge for an extension cord of 50-ft. **Extension cords 100-ft. or longer are not recommended. Remember, a smaller wire gauge size has greater capacity than a larger number (14-gauge wire has more capacity than 16-gauge wire; 12-gauge wire has more capacity than 14-gauge).** When in doubt use the smaller number.

When operating a power tool outdoors, use an outdoor extension cord marked "W-A" or "W". These cords are rated for outdoor use and reduce the risk of electric shock.



 **CAUTION:** Keep the extension cord clear of the working area. Position the cord so that it will not get caught on the workpiece, tools or other obstructions while you are working with a power tool.

 **WARNING:** Check extension cords before each use. If damaged replace immediately. Never use tool with a damaged cord since touching the damaged area could cause electrical shock, resulting in serious injury.

## SAFETY INSTRUCTIONS cont.

### SAFETY SYMBOLS FOR YOUR TOOL

The label on your tool may include the following symbols.

V	Volts
A	Amps
Hz	Hertz
W	Watts
min	Minutes
~	Alternating current
—	Direct current
$n_0$	No-load speed
	Class II construction, Double Insulated
.../min	Revolutions or Strokes per minute
	Indicates danger, warning or caution. It means attention! Your safety is involved.

### SERVICE SAFETY

1. If any part of this saw is missing or should break, bend, or fall in any way; or should any electrical component fail to perform properly: **SHUT OFF** the power switch and remove the saw plug from the power source and have the missing, damaged or failed parts replaced **BEFORE** resuming operation.
2. Tool service must be performed only at a Sears Parts and Repair Center. Service or maintenance performed by unqualified personnel could result in a risk of injury.
3. When servicing a tool, use only identical replacement parts. Follow instructions in the maintenance section of this manual. Use of unauthorized parts or failure to follow maintenance instructions may create a risk of electric shock or injury.

### SAFETY RULES FOR THE MULTI-PURPOSE / PLUNGE ACTION 3-IN. CIRCULAR SAW

**⚠ DANGER:** Keep hands away from cutting area and blade. Keep one hand on the trigger switch and the other hand on the handle/motor housing. If both hands are holding the saw, the blade cannot cut them.

**⚠ CAUTION:** Blades coast after saw is switched off.

1. **KEEP** your body positioned to either side of the saw blade and not in direct line with the saw blade. Kickback could cause the saw to jump backwards. (See "Kickback...What Causes It and Ways to Help Prevent It" on pages 18, 19 and 20).
2. **DO NOT** reach underneath the workpiece. The blade extends beneath the workpiece when cutting and could cause injury.

**⚠ DANGER:** When sawing through a workpiece, the lower blade guard and base **DO NOT** cover the blade. The blade is below the lower blade guard and base (Page 25). **ALWAYS** Keep your hands and fingers away from the cutting area.

**⚠ CAUTION:** This circular saw **DOES NOT** have the standard **RETRACTABLE LOWER BLADE GUARD** System found on standard circular saws. **ON THIS** saw the lower blade guard is an integral part of the saw's base (cutting platform) and **ONLY** encloses the blade when it is **ABOVE** the base.



## SAFETY INSTRUCTIONS cont.

### SAFETY RULES FOR THE MULTI-PURPOSE / PLUNGE ACTION 3-IN. CIRCULAR SAW cont.

**⚠ CAUTION:** When the blade is plunged below the base to make the cut, the blade is entirely exposed underneath the workpiece until it cuts through and clears the workpiece; at this point the blade guard and base will automatically "DROP" down and lock the blade ABOVE the base, enclosing the blade in the upper and lower blade guard.

**⚠ CAUTION:** FAMILIARIZE YOURSELF WITH THIS BLADE GUARD SYSTEM and the PLUNGE ACTION (lowering blade to desired depth) BEFORE USING THIS SAW (See Page 18, Figs. 4 and 4a).

3. **CHECK** the Blade Guard Release Lever and the Lower Blade Guard and Base **BEFORE** each use. **DO NOT OPERATE** the saw if the lower blade guard and base does not move freely and **DROP DOWN INSTANTLY**, and the blade guard release lever does not automatically engage the upper blade guard, **AFTER** cut is made and blade clears the workpiece (See Page 18 and 19).

**⚠ CAUTION:** Never clamp or tie the Blade Guard Release Lever and the Lower Blade Guard and Base in the raised position exposing the blade. This would not allow the lower Blade Guard and Base Assembly to function properly after the cutting operation, increasing the risk of serious personal injury.

4. **ONLY USE** the manual Blade Guard Release Lever to raise the base, lowering the blade to the desired depth-of-cut when beginning the cutting operation.
5. If the saw is accidentally dropped, the blade guard release lever and the lower blade guard and base could be damaged or broken. Lower and raise the blade manually (see page 18, Figs. 4 and 4a) to be sure the release lever, guard and base all operate properly.
6. If the Blade Guard Release Lever or Lower Blade Guard and Base or any other part of the saw is not operating properly, the saw **MUST BE** serviced before use.
7. **ALWAYS** make sure that the Lower Blade Guard and Base is covering the blade, and the Blade Guard Release Lever has engaged and locked the blade **ABOVE** the base **BEFORE** placing the saw down on a workbench or floor.  
Placing the saw down before the lower blade guard and base and blade guard release lever have properly closed and locked could leave the blade exposed below the base, increasing the risk of serious personal injury. Make note of the time it takes for the blade to stop spinning and the guard, base and release lever to drop and lock into the guarded position.
8. **NEVER** hold the piece being cut in your hands or across your legs. It is important to support the workpiece properly in order to minimize body exposure, blade binding, or loss of control.
9. **HOLD TOOL** by insulated gripping surfaces (handle/saw's body) when performing an operation where the cutting tool may contact hidden wiring or its own cord. Contact with a "live" wire will make the exposed metal parts of the tool "live" and shock the operator.

## **SAFETY INSTRUCTIONS cont.**

### **SAFETY RULES FOR THE MULTI-PURPOSE / PLUNGE ACTION 3-IN. CIRCULAR SAW cont.**

10. **ALWAYS** clamp the workpiece securely so it will not move when making the cut.
11. When ripping, **ALWAYS USE** a rip fence or straight edge guide. This improves the accuracy of the cut and reduces the chance of the blade binding.

**⚠ WARNING:** ONLY USE the blades that are designated for use with this saw; correct size, shape and arbor hole. Other blades could run erratically and cause loss of control, resulting in serious injury (see pages 16 and 17).

12. **NEVER** use damaged or incorrect blade washers or bolts. The blade washers and bolts were specially designed for your saw, for optimum performance and safety of operation.
13. **ONLY USE** the designated blades for cutting the type of material for which they are recommended. Cutting materials that are **NOT** recommended could cause blade breakage and loss of control, resulting in serious injury.
14. **NEVER** cut more than one piece at a time. **DO NOT STACK** more than one workpiece on the worktable at a time.
15. **AVOID** awkward operations and hand positions where a sudden slip could cause your hand to move into the blade.
16. **NEVER** reach into the cutting path of the blade.

**⚠ WARNING:** Some dust created by using power tools contains chemicals known to the State of California to cause cancer and birth defects or other reproductive harm. Some examples of these chemicals are:

- Lead from lead-based paints.
- Crystalline silica from bricks and cement and other masonry products.
- Arsenic and chromium, from chemically treated lumber.

Your risk from these exposures varies, depending upon how often you do this type of work. To reduce your exposure to these chemicals:

- Work in a well-ventilated area.
- Work with approved safety equipment, such as those dust masks that are specially designed to filter out microscopic particles.

**Avoid prolonged contact with dust from power sanding, sawing, grinding, drilling and other construction activities. Wear protective clothing and wash exposed areas with soap and water.**

Allowing dust to get into your mouth, eyes, or lay on the skin may promote absorption of harmful chemicals.

**⚠ WARNING:** Use of this tool can generate and/or disburse dust, which may cause serious and permanent respiratory or other injury. Always use NIOSH/OSHA approved respiratory protection appropriate for the dust exposure. Direct particles away from face and body.

## **SAFETY INSTRUCTIONS cont.**

### **ADDITIONAL RULES FOR SAFE OPERATION**

**⚠ WARNING: BE SURE to read and understand all instructions. Failure to follow all instructions listed below may result in electric shock, fire and/or serious personal injury.**

- 1. Know your power tool. Read operator's manual carefully.** Learn the applications and limitations, as well as the specific potential hazards related to this tool. Following this rule will reduce the risk of electric shock, fire or serious injury.
- 2. ALWAYS wear safety glasses or eye shields when using this saw.** Everyday eyeglasses have only impact-resistant lenses; they are **NOT** safety glasses.
- 3. PROTECT your lungs.** Wear a face mask or dust mask if the operation is dusty.
- 4. PROTECT your hearing.** Wear appropriate personal hearing protection during use. Under some conditions noise from this product may contribute to hearing loss.
- 5. ALL VISITORS AND BYSTANDERS MUST wear the same safety equipment that the operator of the saw wears**
- 6. INSPECT the tool cords periodically and if damaged have them repaired at your nearest Sears Service Center. BE AWARE of the cord location.**
- 7. ALWAYS check the tool for damaged parts.** Before further use of the tool, a guard or other part that is damaged should be carefully checked to determine if it will operate properly and perform its intended function. Check for misalignment or binding of moving parts, breakage of parts, and any other condition that may affect the tool's operation. A guard or other part that is damaged should be properly repaired or replaced at a Sears Service Center.
- 8. INSPECT and remove all nails from workpiece before sawing.**
- 9. SAVE THESE INSTRUCTIONS. Refer to them frequently and use them to instruct others who may use this tool. If someone borrows this tool, make sure they have these instructions also.**

## **GLOSSARY OF TERMS FOR WOODWORKING**

### **Spindle**

The shaft on which a blade or cutting tool is mounted. Also called the Arbor.

### **Revolutions Per Minute (RPM)**

The number of turns completed by a spinning object in one minute.

### **Saw Blade Path**

The area over, under, behind or in front of the blade, as it applies to the workpiece. That area which will be or has been cut by the blade

### **Set**

The distance that the saw blade tooth is bent (or set) outward from the face of the blade

### **Plunge Cutting**

A cutting operation in the middle or interior of a workpiece, where the blade is lowered down into the workpiece to make a pocket cut.

### **Miter Cut**

A cutting operation made with the blade at any angle other than 90° to the fence.

## **GLOSSARY OF TERMS FOR WOODWORKING cont.**

### **Compound Miter Cut**

A compound miter cut is a cut made using a miter angle and a bevel angle at the same time.

### **Cross Cut**

A cutting or shaping operation made across the grain of the work piece.

### **Bevel Cut**

A cutting operation made with the blade at any angle other than 90° to the miter table.

### **Dado Cut**

A non-through cut which produces a square-sided notch or trough in the workpiece (requires special blade).

### **Chamfer Cut**

A cut removing a wedge from a block of wood so the end (or part of the end) is angled at other than 90°.

### **Ripping or Rip Cut**

A cutting operation along the length of the workpiece, or cutting along the grain.

### **Freehand Cut**

Performing a cut without using a fence, miter gauge, fixture, work clamp, or other proper device to keep the workpiece from twisting or moving during the cut.

### **Through Sawing**

Any cutting operation where the blade extends completely through the thickness of the workpiece.

### **Non-Through Cuts**

Any cutting operation where the blade does not extend completely through the thickness of the workpiece, like a dado cut.

### **Leading End (or Edge)**

The end (edge) of the workpiece that the blade enters first.

### **Kerf**

The material removed by the blade in a through cut or the slot produced by the blade in a non-through or partial cut.

### **Kickback**

A hazard that can occur when the blade binds or stalls, throwing the saw back toward operator.

### **Workpiece or Material**

The item on which the cutting operation is being done. The surfaces of a workpiece are commonly referred to as faces, ends and edges.

### **Gum**

A sticky, sap-based residue from wood products.

### **Resin**

A sticky, sap-based substance that has hardened.

# UNPACKING

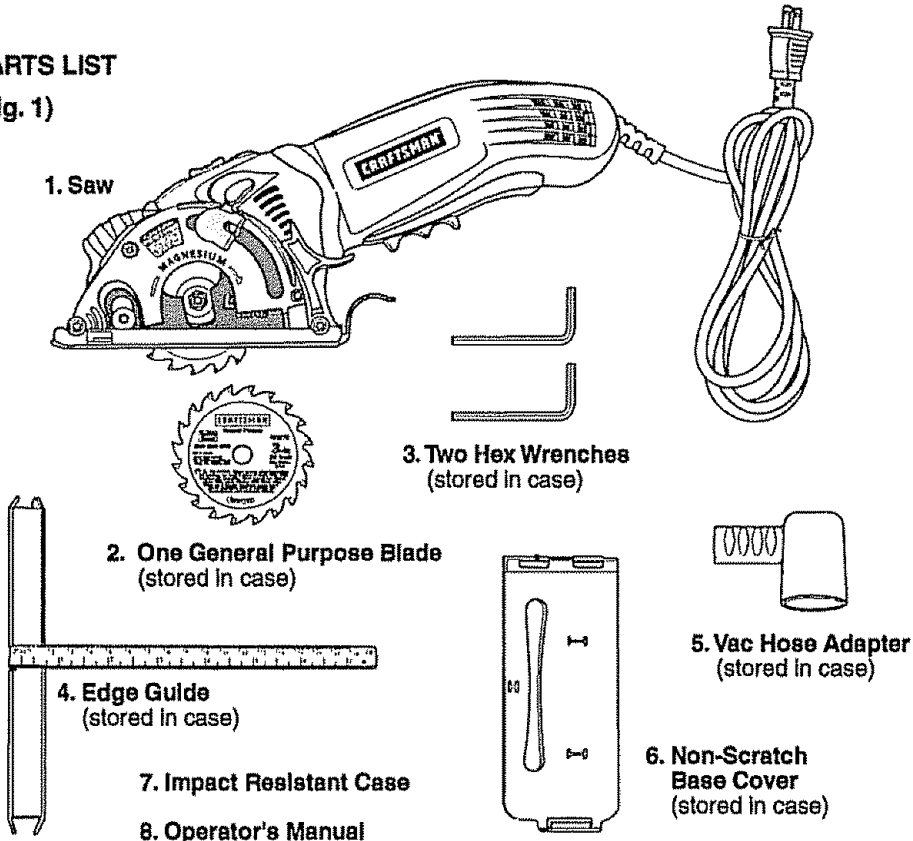
**⚠ WARNING:** Your saw should NEVER be connected to the power source when you are assembling parts, making adjustments, installing or removing blades, cleaning or when it is not in use. Disconnecting the saw will prevent accidental starting, which could cause serious personal injury.

1. Remove the **Saw** from the case and inspect it carefully to make sure that no breakage or damage has occurred during shipping.
2. There is a blade storage area in the case where a **General Purpose Blade** is located with **Two Hex Wrenches** used for installing or changing blades. Inspect the blade carefully to make sure that no breakage, cracking or other damage has occurred.
3. The **Edge Guide** is force-fitted into the top of the lid of the **Storage/Carrying Case**.
4. The **Non-Scratch Base Cover** is force-fitted into the top lid of the case.
5. The **Vac Hose Adapter** is force-fitted into the bottom of the case.
6. If any of the parts are damaged or missing (refer to PARTS LIST below), return the saw to your nearest Sears store or Craftsman outlet to have the saw replaced.

**⚠ WARNING:** If any parts are missing, DO NOT operate this saw until the missing parts are replaced. Failure to do so could result in possible serious personal injury.

## PARTS LIST

(Fig. 1)



## DESCRIPTION

### KNOW YOUR MULTI-PURPOSE/PLUNGE ACTION 3-IN. CIRCULAR SAW (Fig. 2)

**NOTE:** Before attempting to use your saw, familiarize yourself with all of the operating features and safety requirements.

Your plunge action circular saw has a precision-built electric motor and it should be connected to a 120-volt, 60-Hz AC ONLY power supply (normal household current). **DO NOT** operate on direct current (DC). The large voltage drop will cause a loss of power and the motor will overheat. If the saw does not operate when plugged into correct 120-volt, 60-Hz AC ONLY outlet, check the power supply. This saw has an 8-ft., 2-wire power cord (no adapter needed).

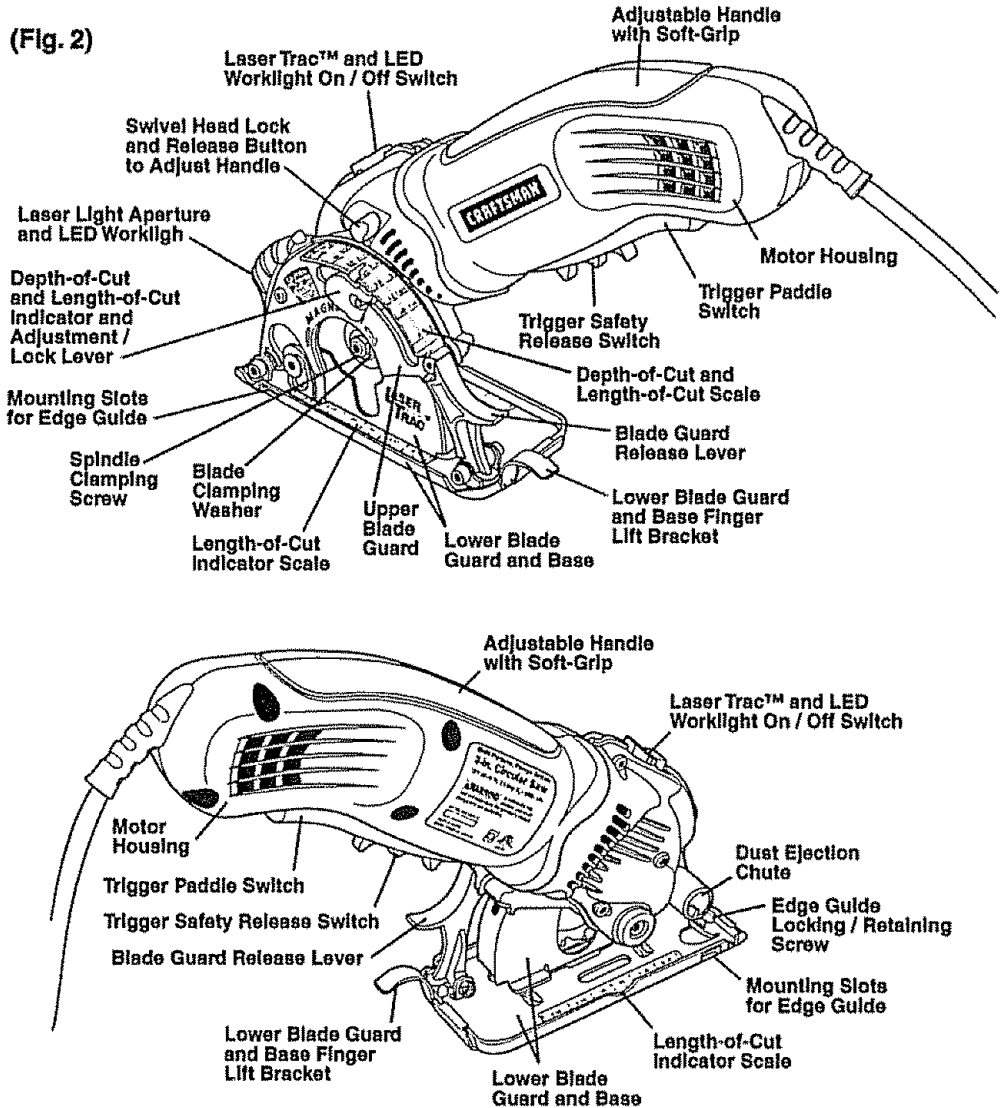
#### **This Saw has the following features:**

1. **2.8 Amp, 2800 RPM (no-load speed) Motor.** Provides sure cuts in plywood, woodbase composites, plastics, vinyl and fiberglass with the general purpose blade included, and ceramic and marble wall tile with the diamond grit blade sold separately.
2. **Laser Trac™** the unique, innovative feature for accurate, efficient cutting!
3. **Built-in LED Worklight** illuminates cutting area for better visibility.
4. **Quick depth-of-cut adjustments** with a maximum depth-of-cut of 7/8-inches.
5. **Easy to read and set depth-of-cut scale**, located on upper blade guard, is marked in 1/8-in. increments, 0 to 7/8-in. with corresponding length (width) of-cut.
6. Ergonomically designed **Blade Guard Release Lever and Base Assembly Finger Lift** for efficient operation of plunge action
7. **Length of Cut Indicator**, located on base, shows beginning and end of blade position on the workpiece; ideal for pocket cutting.
8. **Heavy-duty lightweight Magnesium blade guard** for extra strength and durability.
9. **Stamped and formed steel base and lower blade guard** for durability and long life.
10. **Non-scratch base cover** for use when cutting delicate surfaces such as plastics and composite flooring.
11. **Extended length trigger switch paddle** for right or left hand control. Trigger safety release switch conveniently located on paddle for easy operation.
12. **Ergonomically designed handle with soft-grip** adjusts to 3 different positions at 0°, 15°, and 30°, for more efficient cutting, comfort and maximum control.
13. **Includes One Craftsman® 3-in. 20 tooth carbide-tipped steel general purpose blade** for fast, smooth cuts in plywood up to 3/4-in. thick, woodbase composites, plastics, vinyl and fiberglass. **A Craftsman 3-in. diamond grit steel blade, for cutting ceramic and marble tile up to 3/8-in. thick, is sold separately.**
14. **Two Hex wrenches** for use when installing blades.
15. **Includes Edge Guide** to help produce accurate straight cuts.
16. **Built-in sawdust extraction port. Includes 1 1/4-in. vac hose adapter** for hook up to wet/dry vac, sold separately, to remove dust and chips away from the cutting area.
17. **Permanently lubricated 100% ball bearings** for smooth operation and long life.
18. **Heavy-duty machined gearing** for efficient power transmission.
19. **Includes High-Impact resistant carry/storage case.**

## DESCRIPTION cont.

This Saw has the following features: cont.

(Fig. 2)



PRODUCT SPECIFICATIONS	
Rating	2.8 Amps
No-Load Speed	2800 RPM
Blade Diameter	3-in. (76.2mm)
Blade Arbor	.394-in. (10 mm)
Maximum Cutting Depth	7/8-in. (22.2mm)
Input	120-v., 60Hz AC

## OPERATION

**⚠ WARNING:** Never use a damaged or incorrect blade washer or bolt. The blade washer and bolt were specially designed for your saw, for optimum performance and safe operation. A 3-inch blade is the maximum blade capacity of your saw. A larger than 3-inch blade will come in contact with the blade guard. Also, NEVER use a blade that is so thick that it prevents the outer blade washer from engaging with the flat side of the spindle. Blades that are too large or too thick can result in an accident causing serious injury.

**⚠ WARNING:** ONLY USE the saw blades designated for use with this saw. Using any other blade could result in an accident causing serious injury. See page 17 for designated blades and recommended uses.

**⚠ WARNING:** Only use the Craftsman® 3-in. 20 tooth carbide-tipped steel general purpose blade (9-61272 included), to cut wood, plywood up to 3/4-in. thick, woodbase composites, plastics, vinyl and fiberglass. A Craftsman 3-in. diamond grit steel blade (9-61273 sold separately) is for cutting ceramic and marble tile up to 3/8-in. thick (See Fig. 3b).

### SAW BLADES

All saw blades need to be kept clean, sharp and properly set in order to cut efficiently. Using a dull blade places a heavy load on the saw and increases the danger of kickback. Keep extra blades on hand, so sharp blades are always available. Gum and wood pitch hardened on the blade slows the saw down. Use gum and pitch remover, hot water or kerosene to remove them. **DO NOT** use gasoline.

### INSTALLING THE BLADE (Figs. 3, 3a and 3b)

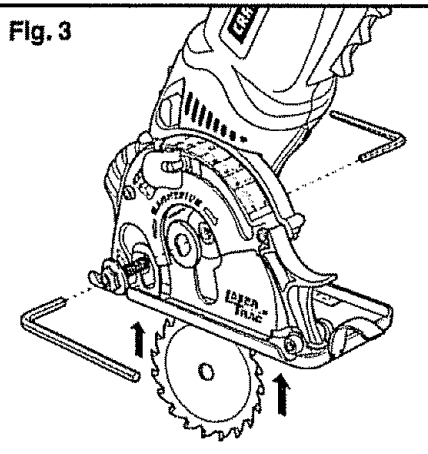
**⚠ WARNING:** BE SURE to wear protective work gloves while handling a saw blade. The blade can injure unprotected hands.

**⚠ WARNING:** Saw will be extremely hot after use. BE SURE to let saw, blade and blade spindle clamping screw COOL before changing blades.

1. Unplug the saw.

**⚠ WARNING:** To prevent personal injury, ALWAYS disconnect the plug from power source BEFORE assembling parts, making adjustments or changing blades.

2. Loosen the blade spindle clamping screw using the two hex wrenches included. Place one wrench into the blade spindle clamping screw and the other wrench into the back of the spindle assembly (see Fig. 3).
3. Turn the wrench that is in the clamping screw **CLOCKWISE** (Fig. 3) while holding the other wrench stationary.

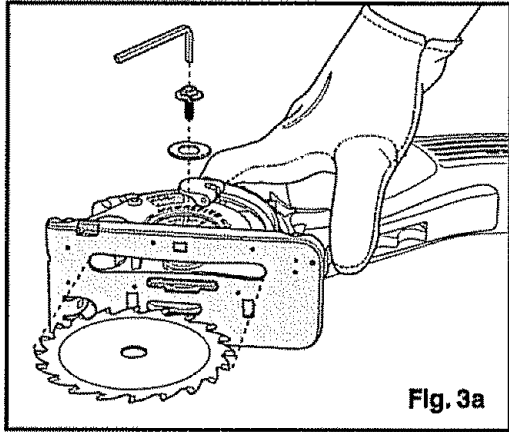




## OPERATION cont.

### INSTALLING THE BLADE (Figs. 3 and 3a) cont.

4. After the screw is loose, place the saw on a flat surface and continue to unscrew the blade spindle clamping screw.
5. Remove the screw and the outer "D" washer.
6. Set the depth-of-cut scale to the maximum depth of 7/8-inches. Release the blade release lever and **RAISE** the base with the finger lift bracket to expose the blade below the base.
7. Grasp the blade with your gloved hand and remove the blade, or install the blade, through the blade slot in the base.
8. Put a drop of oil onto the inner bushing washer and outer "D" washer where they will touch the blade.
9. Place the new saw blade through the blade slot in the base and onto the spindle shaft against the inner "D" bushing.



**NOTE:** The teeth of the blade should point upward at the front of the saw as shown in (Fig. 3a and 3b).

**NOTE:** The warning copy and the Blade Rotation Arrow shown on the blade should face outward towards the operator so it can be viewed (Fig. 3b).

10. Replace the "D" washer.
11. Replace the spindle screw and hand tighten it in a **COUNTERCLOCKWISE** direction.
12. Use the two hex wrenches to tighten the spindle clamping screw thoroughly.
13. Place the two hex wrenches back in the case.

**NOTE:** NEVER use a blade that is too thick to allow the "D" washer to engage with the flat side of the spindle.

Fig. 3b



**Included:**  
9-61272 Craftsman 3-in. 20 tooth carbide tipped general purpose blade



**Sold separately:**  
9-61273 Craftsman 3-in. Diamond grit steel blade

## OPERATION cont.

### BLADE GUARD SYSTEM

(Figs. 4 and 4a)

The lower blade guard is an integral part of the saw's base and **ONLY** encloses the blade when it is **ABOVE** the saw's base (see Fig. 4).

When the desired depth-of-cut is set, the blade is manually lowered below the base, (in a plunge action) by releasing the blade guard release lever while holding the finger lift bracket on the base, as you lower the saw's handle and blade to the selected depth.

When starting and while making a cut, the blade is always exposed in front of and then underneath the workpiece.

When the blade clears the cut through workpiece, the lower blade guard and base will automatically "drop" down and the blade guard release lever will engage the upper blade guard, locking the blade **ABOVE** the base and enclosing the blade in the upper and lower blade guard system.

Fig. 4

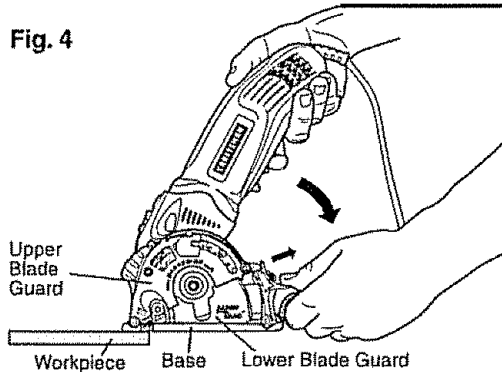
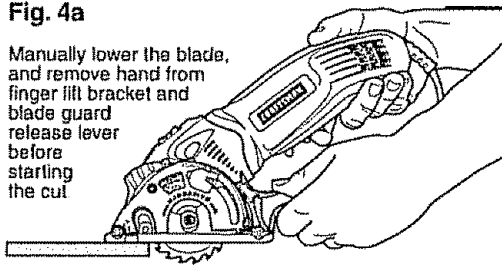


Fig. 4a

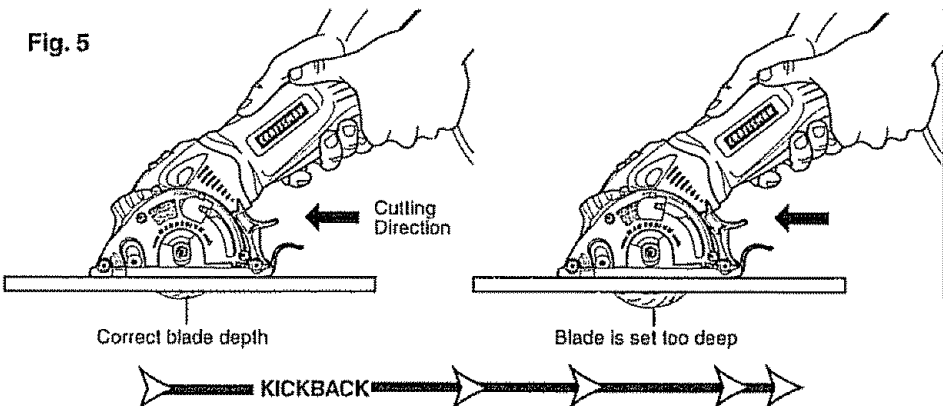


**CAUTION:** This Blade Guard system is designed for your protection and safety and should **NEVER** be altered for any reason. If it becomes damaged or begins to operate slowly or sluggishly, **DO NOT** operate the saw until the damage or problem has been corrected, repaired or replaced.

### KICKBACK...WHAT CAUSES IT AND WAYS TO HELP PREVENT IT (Figs. 5, 5a and 5b)

#### The Causes of Kickback

Fig. 5



## OPERATION cont.

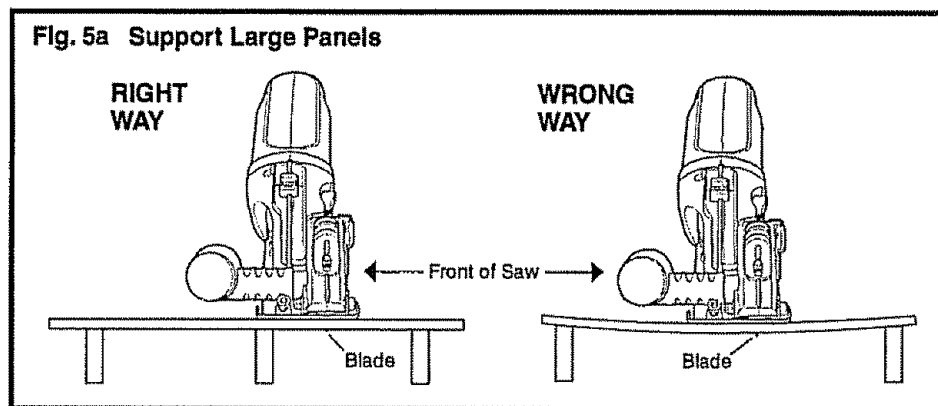
### KICKBACK...WHAT CAUSES IT AND WAYS TO HELP PREVENT IT (Figs. 5, 5a and 5b) cont.

#### The Causes of Kickback cont.

1. Kickback is a sudden reaction to a pinched, bound or misaligned saw blade, which causes an uncontrolled saw to lift up and out of the workpiece and toward the operator.
2. When the blade is pinched or bound tightly by the kerf closing down, the blade stalls and the motor reaction drives the unit rapidly back towards the operator.
3. If the blade becomes twisted or misaligned in the cut, the teeth at the back edge of the blade can dig into the top surface of the wood. This causes the blade to climb out of the kerf and jump back towards the operator.
4. Sawing into knots or nails in the workpiece can cause Kickback.
5. Sawing into wet or warped lumber can cause Kickback.
6. Forcing a cut, or not supporting the workpiece correctly can cause Kickback (see Fig. 5a).
7. Kickback is a result of tool misuse and/or incorrect operating procedures or conditions. It can be avoided by taking the proper precautions, as listed below.

#### Ways to Help Prevent Kickback

1. **ALWAYS** maintain a firm grip with both hands on the saw (see Figs. 5, 5b) and position your body and arms to allow you to resist Kickback forces. Kickback forces can be controlled by the operator, if the proper precautions are taken.
2. If the blade is binding, or when you are interrupting a cut for any reason, **ALWAYS** release the trigger and hold the saw motionless in the material until the blade comes to a complete stop. **NEVER** attempt to remove the saw from the work or pull the saw backward while the blade is in motion, or Kickback may occur. **CHECK** and take corrective action to eliminate the cause of blade binding.
3. Inspect the workpiece for knots or nails before cutting. Never saw into a knot or nail.
4. **DO NOT** cut warped or wet lumber.
5. **ALWAYS** support large panels to minimize the risk of blade pinching and Kickback. Large panels tend to sag under their own weight (see Fig. 5a). Supports **MUST** be placed under the panel, one near the line of cut and one near the edge of the panel (see Fig. 5a).



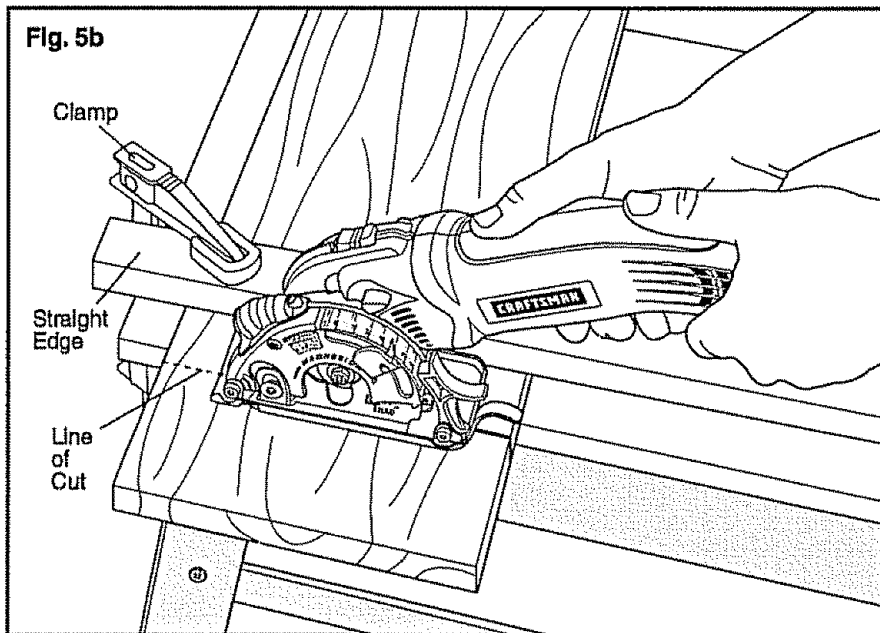
## OPERATION cont.

### KICKBACK...WHAT CAUSES IT AND WAYS TO HELP PREVENT IT (Figs. 5, 5a and 5b) cont.

#### Ways to Help Prevent Kickback cont.

6. When restarting the saw in the workpiece, **CENTER** the blade in the kerf and check to be sure that the saw teeth are not engaged into the material. If the saw blade is binding, it may walk up or Kickback from the workpiece when the saw is restarted.
7. **DO NOT** use a dull or damaged blade. Unsharpened, improperly set, or gummed-up blades produce narrow kerf which causes excessive friction, blade binding and Kickback.
8. **KEEP** the blade at the correct depth setting. The depth setting should not exceed 1/4-inch below the material being cut (See Fig. 5). **BE SURE** that the blade depth and adjusting locking lever is tight and secure **BEFORE** making a cut. If blade adjustment shifts while cutting it may cause binding and Kickback.
9. **USE EXTRA CAUTION** when plunge cutting making a "Pocket Cut" into existing walls or other blind areas. The protruding blade may cut objects that can cause Kickback.

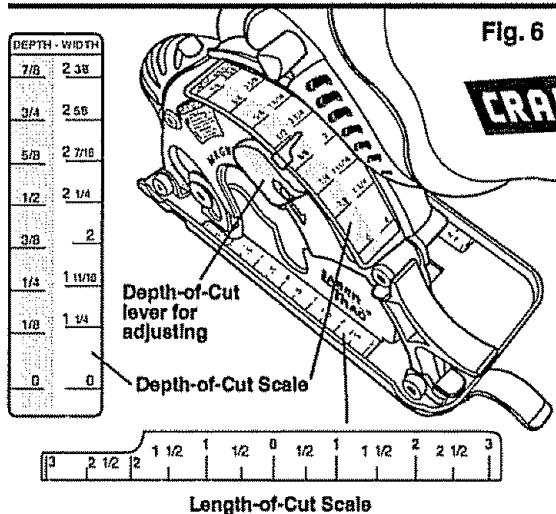
**⚠ DANGER:** ALWAYS release trigger safety release and paddle switches immediately if the blade binds or the saw stalls. Kickback could cause you to lose control of the saw. Loss of control can lead to serious injury.



## OPERATION cont.

### MAKING DEPTH-OF-CUT ADJUSTMENTS (Fig. 6)

**ALWAYS** use the correct blade depth setting. The correct blade depth setting for all cuts should not be more than 1/4-inch below the material being cut (see Fig. 5). Allowing more depth will increase the chance of kickback and cause the cut to be rough. Your saw is equipped with a depth-of-cut scale that provides increased Depth-of-Cut accuracy. The Depth-of-Cut scale is located on the top of the upper blade guard (see Fig. 6).

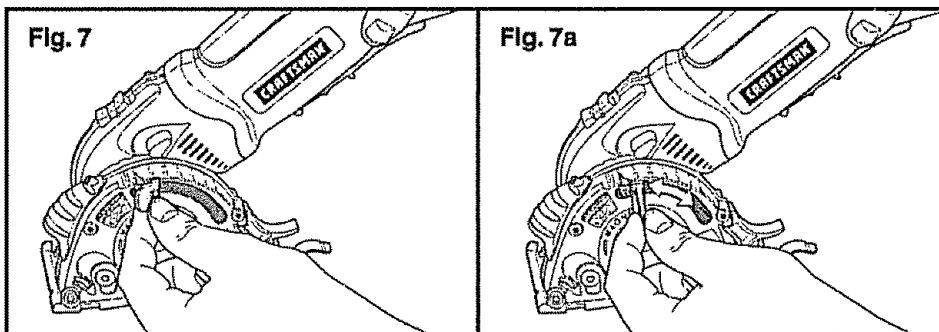


### TO SET THE BLADE DEPTH (FIG. 7 and 7a)

1. Unplug the saw.

**⚠ WARNING: ALWAYS unplug saw before making any adjustments. Failure to unplug the saw could result in accidental starting which can cause serious personal injury.**

2. Determine the desired depth of cut.
3. Unlock the Depth-of-Cut and Length-of-Cut Indicator Adjustment/Lock lever
4. Slide the Depth-of-Cut indicator to the desired depth of cut.
5. Lock down the Depth-of-Cut adjustment/lock lever.

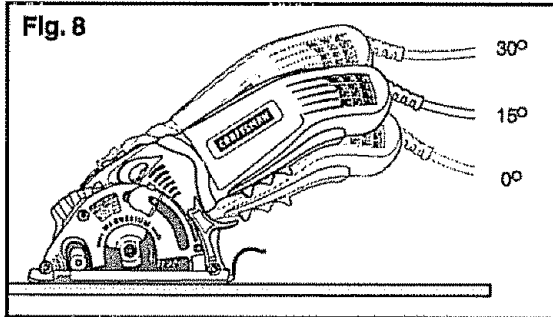


6. The length of cut indicator (see Fig. 6) is ideal for plunge or pocket cutting into the middle (or interior) of the workpiece when you need to know where the cut will begin and where it will end. This feature allows you to pinpoint the location where the blade will plunge into the workpiece, based on the blade depth that was selected. **ALWAYS** practice in a scrap workpiece to become familiar with this cutting operation.
7. The selected depth of cut is now set. When the saw's blade is manually lowered (see Page 25, Figs. 12a and 12b), the blade will be below the base at the selected depth.

## ADJUSTING THE 3-POSITION HANDLE (Fig. 8)

**⚠ WARNING:** To prevent personal injury, ALWAYS disconnect the plug from power source BEFORE assembling parts, making adjustments or changing blades.

Your saw has a handle/motor housing with soft-grip that adjusts to 3 different cutting angles, 0°, 15°, and 30°. This feature provides more efficient cutting angles for various applications and added gripping comfort with maximum control.

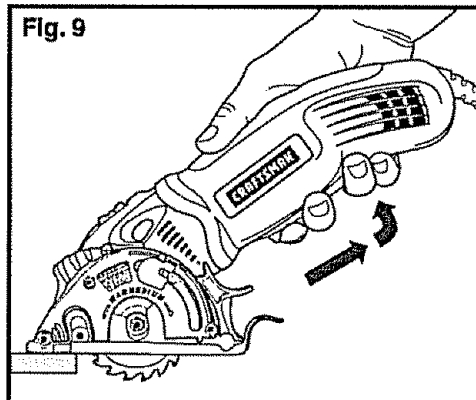


1. Unplug the saw.
2. Grasp the handle with one hand and push the swivel head lock and release button "IN" to release the handle for adjustment.
3. Move the handle forward or backward (see Fig. 8) to locate the 3 different positions.
4. When the handle moves into 1 of the 3 positions the release button will snap out and the handle will lock into position.
5. When adjusting the handle, **ALWAYS BE SURE** that the release button has snapped out and the handle is locked in position. If the handle still moves forward or backward, repeat the process until the handle is locked securely in position.

**⚠ WARNING:** DO NOT operate the saw if the handle IS NOT LOCKED in position and can still move forward or backward. Failure to lock the handle in 1 of 3 cutting positions could cause loss of control of saw and result in serious injury.

## TRIGGER SAFETY RELEASE SWITCH AND TRIGGER PADDLE (Fig. 9)

1. Plug the saw's power cord plug into a standard household 120V, 60Hz AC only outlet.
2. To activate the trigger paddle and turn the saw "ON", place your index and middle fingers into the molded finger grip trigger safety release switch, and the other two fingers on the trigger paddle (see Fig. 9).
3. Squeeze the finger grip "back" until it "clicks", then depress the trigger paddle to turn the saw "ON".
4. To **STOP** the saw, release your grip on the trigger paddle, and the finger grip safety release switch will move back into the "OFF" position.



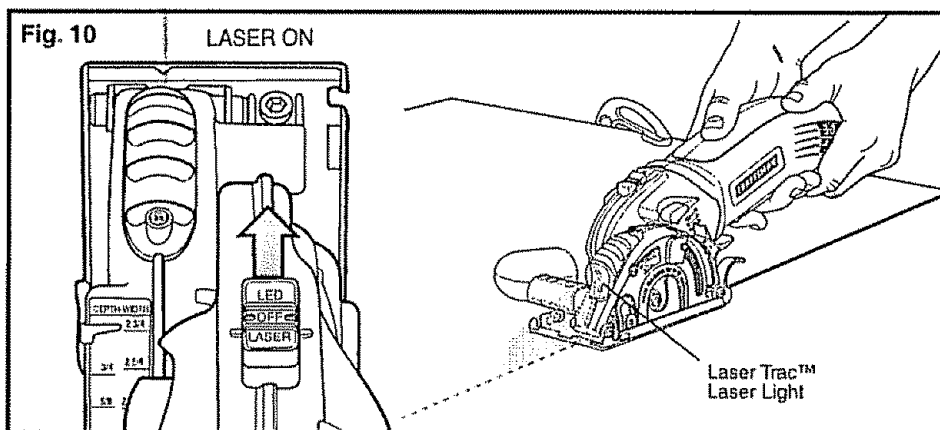
## OPERATION cont.

### USING THE LASER TRAC™ LASER LIGHT FEATURE (Figs. 10 and 10a)

**⚠ WARNING: LASER LIGHT. LASER RADIATION. Avoid Direct Eye Exposure. DO NOT stare into beam. Only turn laser beam on when the saw is on the workpiece. Class IIIa laser.**

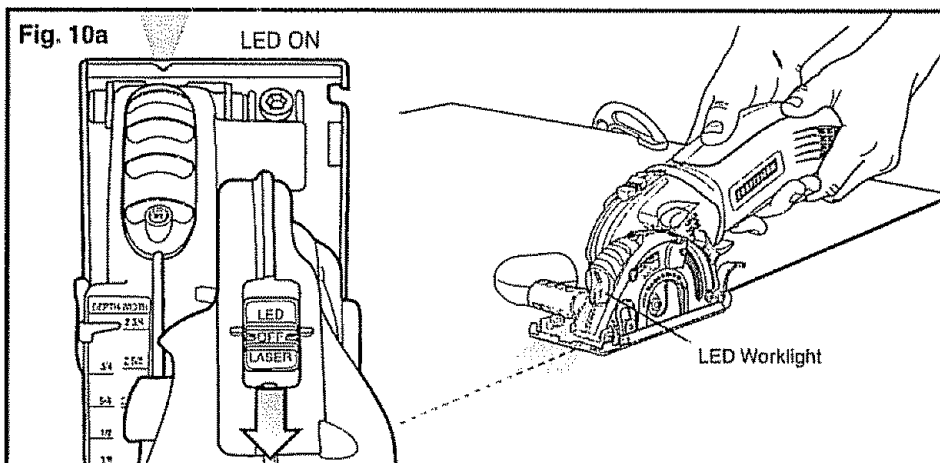
Your circular saw has a built-in laser light. To activate laser light switch, saw must be plugged into power source.

1. **DO NOT** turn the laser beam on until the saw is on the workpiece.
2. Mark the line of cut on the workpiece.
3. Adjust the cutting angle and cutting depth as needed.
4. Plug in the saw and push the laser switch forward to turn on the laser.
5. Follow instructions in "STARTING A CUT", (Page 24).
6. Always shut off the laser light when you are finished cutting.



### LED WORKLIGHT (Fig. 10a)

Your circular saw has a built-in worklight for better visibility when cutting. To turn on the LED worklight, the saw must be plugged in. Push the switch from OFF to LED.



## OPERATION cont.

### STARTING A CUT (Figs. 11, 12, 13 and 13a)

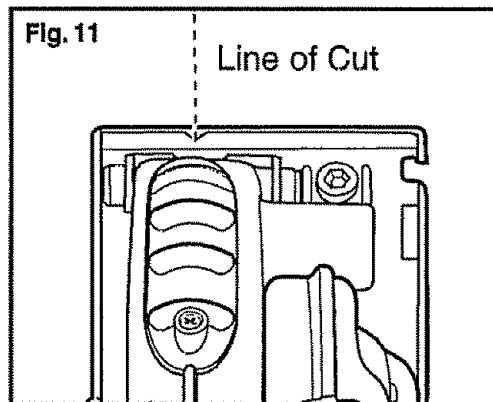
**⚠ WARNING: ALWAYS clamp and support workpiece securely. ALWAYS maintain proper control of saw. Failure to clamp and support workpiece and loss of control of saw could result in serious injury.**

1. Unplug the saw

**⚠ WARNING: ALWAYS unplug saw before making any adjustments. Failure to unplug the saw could result in accidental starting which can cause serious personal injury.**

2. Set-up and clamp your workpiece and mark your cut line.
3. Set the handle on the saw to the desired angle for your cutting application.
4. Set the Depth-of-Cut (with corresponding Length-of-Cut).
5. Plug in the saw.

6. Hold saw firmly with both hands.
7. Position the front of the saw's base onto the leading end (edge) of the workpiece that is solidly supported (see Pg. 19, Fig 5a). Align the center of the "V" notch on the front of the base with the cut line (Fig. 11).
8. Manually release the blade guard release lever while holding the finger lift bracket on the rear of the base (see Fig. 12, A and B) as you lower the saw's handle and blade to the selected depth. **MAKE SURE THE BLADE IS NOT MAKING CONTACT WITH THE WORKPIECE.**



9. **With both hands on the handle**, squeeze the trigger's molded finger grip safety release "backward" while squeezing down on the paddle switch to turn the saw "On".
10. Let the blade reach full speed **BEFORE** you enter the workpiece, starting your cut.
11. Press down on the saw, keeping the front of the base flat against the workpiece as you slowly push the saw's blade into the workpiece (see Fig. 12, C).
12. Carefully guide the saw through the line of cut. **DO NOT** bind the blade in the cut; push the saw blade forward at a rate where the blade is not laboring. When the cut is complete, release the trigger safety release and paddle switch and let the blade come to a complete stop. **DO NOT REMOVE** the saw and blade from the workpiece while the blade is moving. This could damage your cut (kerf), cause kickback, loss of control, and result in serious injury.
13. When the blade and saw are clear of and removed from the workpiece (see Fig. 12, F), the lower blade guard and base will be able to automatically drop down and the blade guard release lever will engage the upper blade guard, locking the blade above the base (see Fig. 12, G).

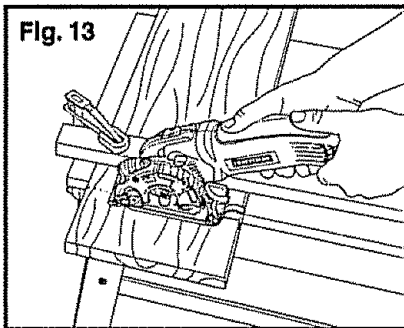
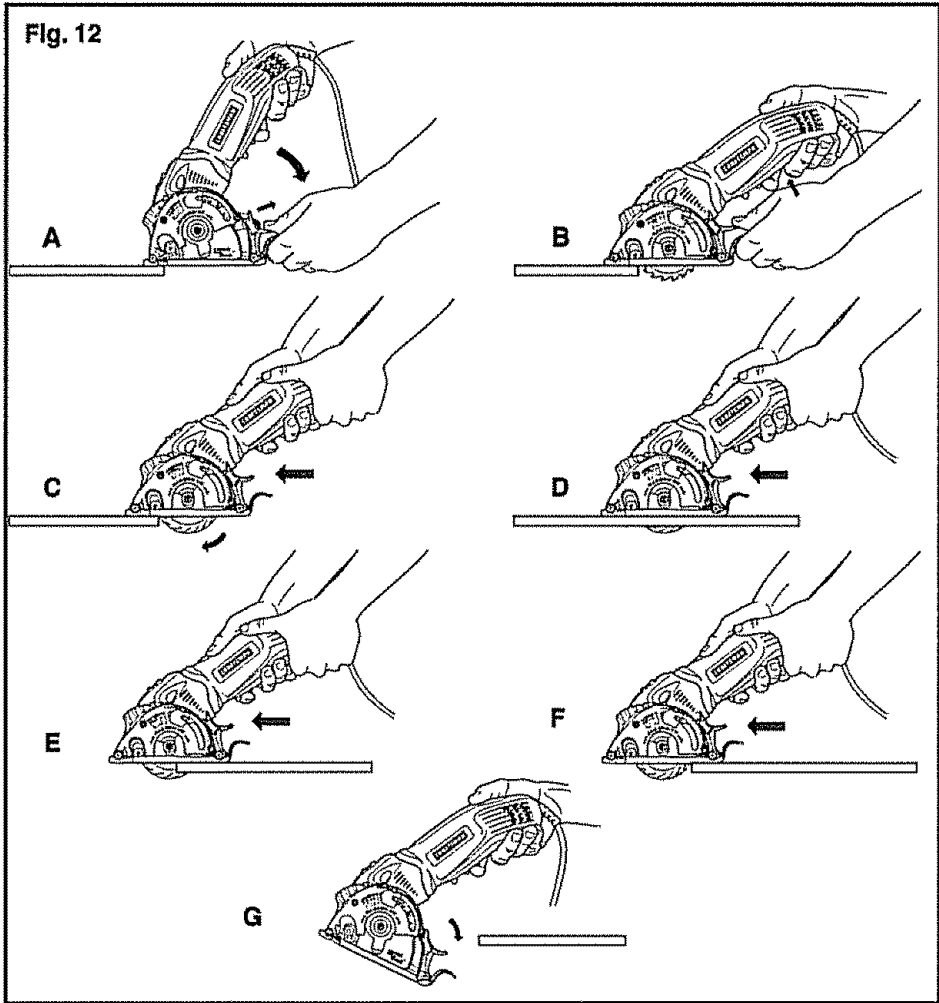
**⚠ WARNING: ALWAYS maintain proper control of the saw to make sawing safer and easier. Loss of control of the saw could cause an accident resulting in possible serious injury.**

14. **ALWAYS** use your saw with your hands positioned correctly, one hand operating the trigger safety release and paddle switches and the other hand on the motor housing/handle.
15. **NEVER** use the saw with your hands positioned as shown in Fig. 13a.

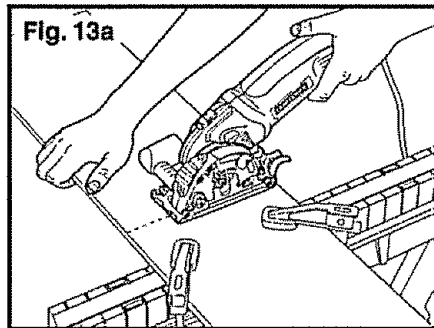


**OPERATION cont.**

**STARTING A CUT (Figs. 11, 12, 13 and 13a) cont.**



**RIGHT**



**WRONG**

## OPERATION cont.

### To Help Maintain Control:

1. **ALWAYS** support the workpiece near the cut.
2. **ALWAYS** support the workpiece so the cut will be on your right.
3. **ALWAYS** clamp the workpiece so it will not move during the cut. Place the workpiece with the good side down.

**NOTE:** The good side of the workpiece is the side where appearance is important.

4. **NEVER** place the saw on the part of the workpiece that will fall off when the cut is made (see Fig. 13a).
5. **ALWAYS** keep the cord away from the cutting area. **ALWAYS** place the cord so it does not hang up on the workpiece when making a cut.

**⚠ WARNING:** If the cord hangs up on the workpiece during a cut, release the trigger switch immediately. To avoid injury unplug the saw and move the cord to prevent it from hanging up again.

**⚠ DANGER:** Using the saw with a damaged cord could result in serious injury or death. If the cord has been damaged, have it replaced before using the saw again.

6. When making a cut, **ALWAYS** use steady, even pressure. Forcing the saw causes rough cuts and could shorten the life of the saw or cause Kickback.

**⚠ CAUTION:** This circular saw **DOES NOT** have the standard retractable lower blade guard found on standard circular saws. **ON THIS** saw the lower blade guard is an integral part of the saw's base and only encloses the blade **ABOVE** the saw's base. When the desired depth of cut is set, the blade is manually lowered (plunge action) below the lower blade guard and base assembly to make the cut. This is done by releasing the blade guard release lever.

After the cut is made and the blade clears the workpiece, the lower blade guard and base assembly will automatically "drop" down and the blade guard release lever will engage the upper blade guard and lock in position and the blade will be **ABOVE** the base enclosed by the upper and lower blade guard and base assemblies.

**⚠ CAUTION:** : Familiarize yourself with this **BLADE GUARD SYSTEM** and the **PLUNGE ACTION** (lowering blade to desired depth) **BEFORE USING** this saw.

## OPERATION cont.

### MAKING CROSS CUTS AND RIP CUTS (Figs. 14 and 14a)

**⚠ WARNING: ALWAYS** clamp and support workpiece securely. **ALWAYS** maintain proper control of saw. Failure to clamp and support workpiece and loss of control of saw could result in serious injury.

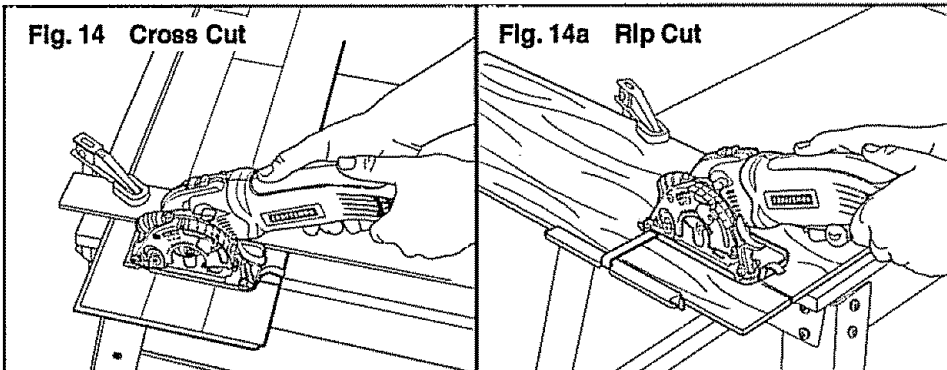
1. **ALWAYS** use your saw with your hands positioned correctly (see Figs. 14, 14a).

**⚠ WARNING: ALWAYS** maintain proper control of the saw to make sawing safer and easier. Loss of control of the saw could cause an accident resulting in possible serious injury.

2. When making cross or rip cuts, align your line of cut with the center of the "V" notch located on the front of the saw's base (see Pg. 24, Fig. 11).
3. Since the thickness of blades varies, **MAKE A TRIAL CUT** in scrap material along the guideline to determine how much, if any, you should offset the blade from the guideline to allow for the kerf of the blade to get an accurate cut.

### MAKING RIP CUTS (Fig. 14a)

**ALWAYS** use a guide when making long or wide rip cuts with your saw. You can use either a straight edge (sold separately), or use the edge guide that is included with your saw.



### CUTTING WITH A STRAIGHT EDGE (Fig. 14)

**⚠ WARNING: ALWAYS** clamp and support workpiece securely. **ALWAYS** maintain proper control of saw. Failure to clamp and support workpiece and loss of control of saw could result in serious injury.

You can make an efficient rip guide by clamping a straight edge to your workpiece.

1. Mark the position of the side edge of the saw's base (cutting platform) and then securely clamp the straight edge (sold separately) on the mark and parallel to the cut line.
2. As you cut, keep the edge of the saw's base flush against the straight edge and flat on the workpiece.
3. **ALWAYS LET THE BLADE REACH FULL SPEED**, then carefully guide the saw into the workpiece. **DO NOT** bind the blade in the cut. Push the saw forward at a speed where the blade is not laboring.

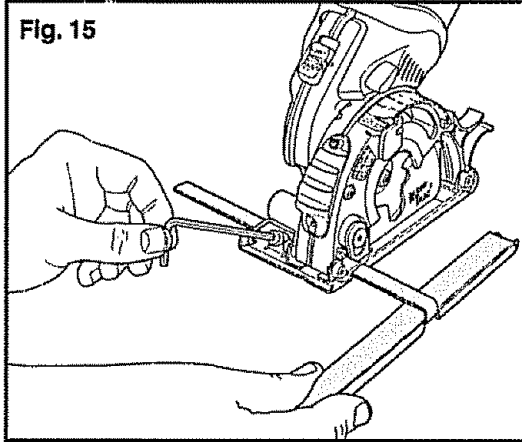
**INSTALLING AND USING THE EDGE GUIDE (Figs. 15, 16 and 16a)**

**⚠ WARNING: ALWAYS unplug saw before making any adjustments.**  
 Failure to unplug the saw could result in accidental starting which can cause serious personal injury.

Your saw comes with an edge guide that is 7-inches long on the guide edge. It allows you to make accurate parallel cuts when trimming a workpiece. It attaches to the saw's base. The arm of the edge guide is stamped, on both sides, 0 to 7 inches in 1/4-inch increments and 1 to 18 centimeters in 10-mm increments for easy adjustment of your cut.

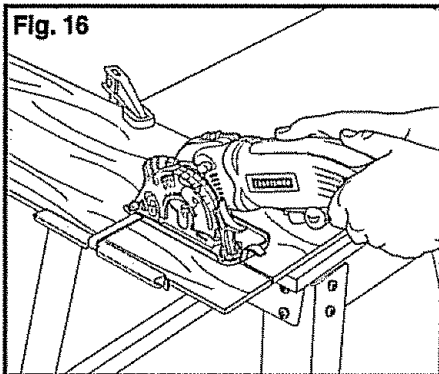
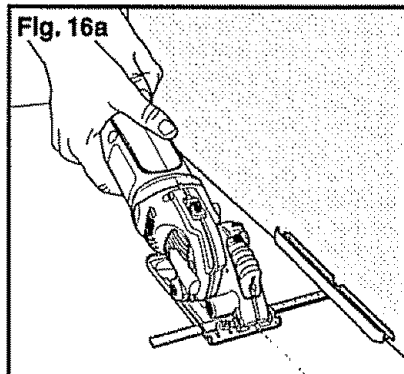
The edge guide can be used with the guide edge **turned down** to guide along the edge of a workpiece for rip or cross cuts (see Fig. 16), or **turned up** to guide against a wall for inside cuts (see Fig. 16a).

1. Unplug the saw.

**Fig. 15**

**⚠ WARNING: ALWAYS unplug saw before making any adjustments.**  
 Failure to unplug the saw could result in accidental starting which can cause serious personal injury.

2. Position the edge guide so the arm can slide into the mounting slots at the front of the saw's base (see Fig. 15), and loosen the retaining screw.
3. Adjust the edge guide to the desired length of cut.
4. Tighten the edge guide retaining screw.
5. Clamp and support the workpiece securely before making your cut.
6. Place the edge guide firmly against the edge of the workpiece (see Fig. 16), or against a wall (see Fig. 16a). Doing this will help give you a true cut without pinching the blade.
7. **BE SURE** that the guiding edge of the workpiece, or the wall, is straight so you can produce a straight cut (see Fig. 16 and 16a).
8. **ALWAYS LET THE BLADE REACH FULL SPEED**, then carefully guide the saw into the workpiece. **DO NOT** bind the blade in the cut. Push the saw forward at a speed where the blade is not laboring.

**Fig. 16****Fig. 16a**

## OPERATION cont.

### PLUNGE OR POCKET CUTTING (Figs. 17: A, B, C, and D)

#### Cutting Into a solid base surface

One of the major benefits of this saw is its ability to make plunge cuts directly into the middle, or interior of a workpiece, or plunge cut directly into a solid base surface such as sub-flooring, siding, paneling and hardwood or laminate flooring that is mounted on top of sub-flooring.

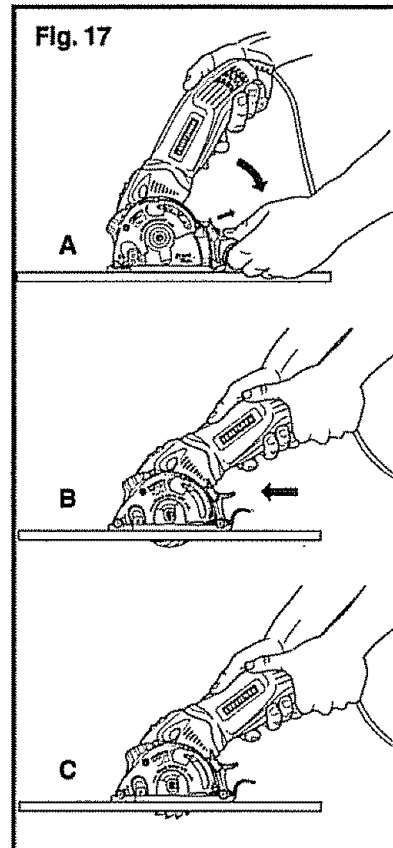
**⚠ WARNING: ALWAYS clamp and support workpiece securely. ALWAYS make sure the workpiece is securely positioned so it will not move.**

**⚠ CAUTION: ALWAYS know what you are sawing into. Sawing into nails, pipes and electrical wires could result in kickback, loss of control, risk of fire, and/or electric shock, causing serious personal injury to yourself or to others.**

1. Unplug the saw.

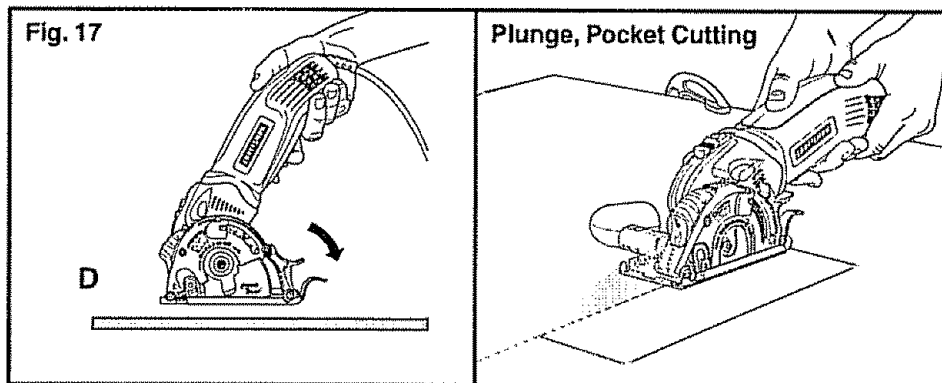
**⚠ WARNING: ALWAYS unplug saw from the power source BEFORE making any adjustments or attaching accessories.**

2. Mark the cut line on the surface to be cut.
3. Set the depth-of-cut to the thickness of the material to be cut, (sub/floor, siding, laminate flooring, etc.)
4. Align (position) the saw base on the workpiece to your mark, using the Length-of-Cut guide (so that your starting point lines up with the mark corresponding to the Depth-of-Cut setting (see Page 21, Fig. 6).
5. Plug in the saw.
6. Hold the saw firmly with both hands.
7. Activate the trigger safety release and paddle switches and turn the saw "On".
8. Let the blade reach full speed.
9. Manually release the blade guard release lever while holding the finger lift bracket on the rear of the base (see Fig. 17, A).
10. **A. SLOWLY** lower the blade into the workpiece. **B.** Carefully guide the saw through the line of cut until the forward depth marking on the length of cut guide located on the saw's base aligns with the end of cut marking on your workpiece. (**DO NOT** bind the blade in the cut; push the saw blade forward at a rate where the blade is not laboring). **C.** When the cut is complete, release the trigger safety release and paddle switch and let the blade come to a complete stop. **DO NOT REMOVE** the saw and blade from the workpiece while the blade is moving. This could damage your cut (kerf), cause kickback and loss of control, resulting in serious injury.



**PLUNGE OR POCKET CUTTING (Fig. 17, D) cont.**

11. When the blade and saw are clear of and removed from the workpiece (see Fig. 17, D), the lower blade guard and base will be able to automatically drop down and the blade guard release lever will engage the upper blade guard, locking the blade above the base.



**⚠ WARNING:** ALWAYS maintain proper control of the saw to make sawing safer and easier. Loss of control of the saw could cause an accident resulting in possible serious injury.

**⚠ WARNING:** NEVER clamp or tie the blade guard release lever and the lower blade guard and base in the raised position exposing the blade. This would not allow the lower blade guard and base assembly to function properly after the cutting operation, increasing the risk of serious personal injury.

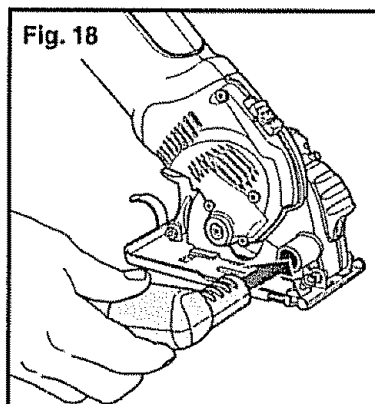
**SAWDUST REMOVAL (Fig. 18)**

**⚠ WARNING:** ALWAYS unplug saw from the power source BEFORE making any adjustments or attaching accessories.

Your saw includes a 1 1/4-inch vac hose adapter tube that attaches to the built-in dust extraction port on the saw (see Fig. 18).

This adapter tube can be attached to a wet/dry vac hose with a 1 1/4-inch hose adapter and then to a wet/dry vac (all sold separately).

This will help remove dust, chips and cutting debris away from the cutting area.



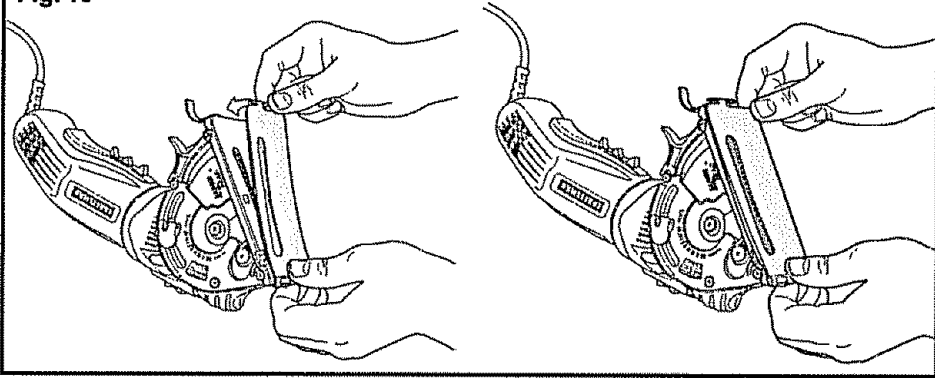
## OPERATION cont.

### NON-SCRATCH BASE COVER (Fig. 19)

**⚠ WARNING:** ALWAYS unplug saw from the power source BEFORE making any adjustments or attaching accessories.

Your saw includes a plastic non-scratch base cover (see Fig. 19). Attach it to your saw's base when you are cutting workpieces that have delicate surfaces (finishes) such as vinyls, plastics, fiberglass, laminate flooring and tiles that could easily be scratched or scraped with the steel base on the saw.

Fig. 19



## MAINTENANCE

**⚠ WARNING:** To ensure safety and reliability, all repairs should be performed by a qualified service technician at Sears Service Center.

**⚠ WARNING:** For your safety, ALWAYS turn off switch and unplug circular saw from the power source before performing any maintenance or cleaning.

It has been found that electric tools are subject to accelerated wear and possible premature failure when they are used to work on fiber glass boats and sports cars, wallboard, spackling compounds or plaster. The chips and grindings from these materials are highly abrasive to electrical tool parts, such as bearings, brushes, commutators, etc. Consequently, it is not recommended that this tool be used for extended work on any fiberglass material, wallboard, spackling compound or plaster. During any use on these materials, it is extremely important that the tool is cleaned frequently by blowing with an air jet.

**⚠ WARNING:** Always wear safety goggles or safety glasses with side shields during power tool operations, or when blowing dust. If operation is dusty, also wear a dust mask.

## **MAINTENANCE cont.**

### **ROUTINE MAINTENANCE**

**⚠ WARNING: DO NOT** at any time let brake fluids, gasoline, petroleum-based products, penetrating oils, etc. come in contact with plastic parts. Chemicals can damage, weaken or destroy plastic, which may result in serious personal injury.

Periodic maintenance allows for long life and trouble-free operation. A cleaning, lubrication and maintenance schedule should be maintained. As a common preventative maintenance practice, follow these recommended steps:

**⚠ WARNING: For your safety, ALWAYS turn off switch and unplug circular saw from the power source before performing any maintenance or cleaning.**

1. When work has been completed, clean the tool to allow smooth functioning of the tool over time.
2. Use clean damp cloths to wipe the tool.
3. Check the state of all electrical cables.
4. Keep the motor air openings free from oil, grease and sawdust or woodchips, and store tool in a dry place.
5. Be certain that all moving parts are well lubricated, particularly after lengthy exposure to damp and/or dirty conditions.

### **LUBRICATION**

All of the bearings in this tool are lubricated with a sufficient amount of high-grade lubricant for the life of the tool under normal operating conditions. Therefore, no further lubrication is required.



## TROUBLESHOOTING

Problem	Probable Cause	Corrective Action
Tool will not power on	AC power cord is not fully inserted into the AC outlet or has fallen out	Properly install power cord plug into the AC outlet
	No power on AC outlet	Find circuit breaker panel and verify that the breaker controlling your outlet is ON. <b>If the breaker continues to switch to the off position, contact a qualified electrician to locate the cause.</b>
	No power on AC outlet. Your outlet may be a GFI type or it may be downstream from another GFI outlet.	Locate GFI outlets and verify that the "RESET" tab is pushed in. <b>If the GFI RESET tab pops out again, contact a qualified electrician to locate the cause.</b>
	Power Cord Damaged	Remove power plug from the AC outlet and inspect the plug and the length of the cord. Do not attempt repair of the power cord. Return for service or discard.
Tool power switch (Paddle) will not activate the tool.	Safety Interlock is not activated properly.	Read Operator's Manual. Excessive paddle pressure may jam the paddle release. Slide the paddle lock toward the rear of the tool fully, and then squeeze the paddle.
	Safety Interlock may be jammed.	<b>Unplug the tool!</b> Turn the tool over and inspect the safety interlock and paddle. Remove any wood chips or debris that may have accumulated.

# TROUBLESHOOTING

Problem	Probable Cause	Corrective Action
Tool power switch (Paddle) will not activate the tool.	Motor or motor brush failure.	<b>After verifying power to the tool and verifying that the power switch (paddle) activates properly, try the following:</b> Tap the plastic body of the tool with a plastic mallet or the plastic handle of a screwdriver and try again. If the tool still does not operate, return for service.
Laser or LED will not illuminate.	No power to tool.	<b>DO NOT STARE INTO THE LASER BEAM OR LED! PERMANENT EYE DAMAGE COULD RESULT!</b> Verify proper power connection as described above.
	Laser/LED switch jammed.	Remove any debris around Laser/LED switch.
Lower blade guard will not return to locked position.	Wood chips or debris blocking guard.	<b>Unplug tool!</b> Remove any debris that may be blocking the guard. Blow out with an air hose if available (wear eye protection before using air hose.)
	Lower guard return spring broken or dislodged.	<b>DO NOT USE TOOL!</b> Return for repair.
	Guard lock broken.	<b>DO NOT USE TOOL!</b> Return for repair.
	Guard lock spring broken.	<b>DO NOT USE TOOL!</b> Return for repair.
Blade bolt is tight but the blade still spins freely	Blade washer is not aligned properly with arbor shaft	Loosen blade bolt. Spin blade washer slightly until it aligns with arbor shaft features and will no longer spin. Retighten blade bolt.

## ACCESSORIES

**⚠ WARNING:** The use of attachments or accessories that are not recommended for this tool might be dangerous and could result in serious injury.

Sears and other Craftsman outlets have a Craftsman 3-in. diamond grit steel blade (9-61273) available for cutting ceramic and marble tile up to 3/8-in. thick with this saw.

Replacement blades are also available for the Craftsman® 3-in. 20 tooth carbide-tipped steel general purpose blade (9-61272) which comes with the saw.

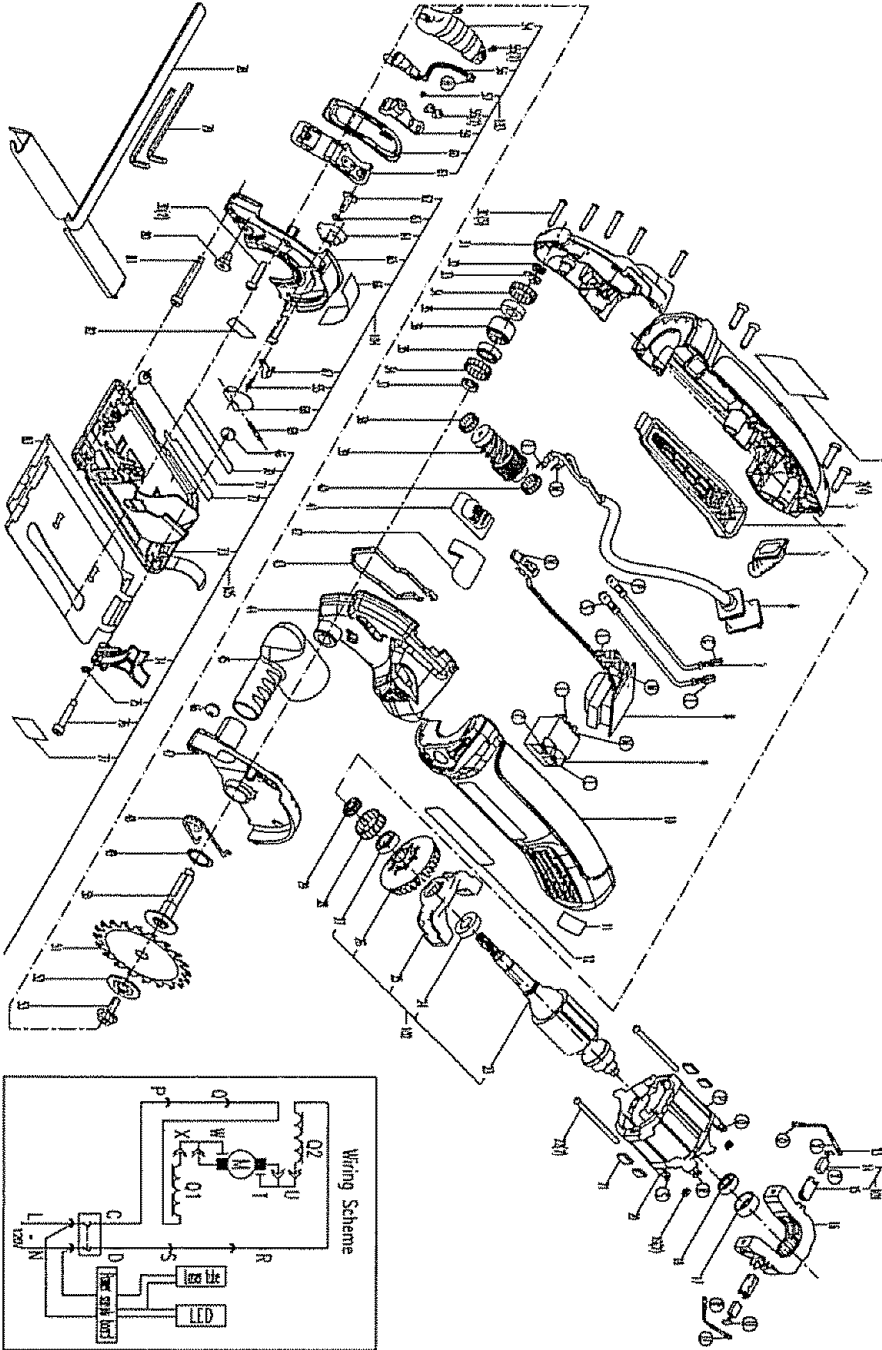
Sears and other Craftsman outlets have a large assortment of clamps, combination squares, straight edges, work tables, and sawhorses to help you with all your sawing needs.

Visit your local Sears store or other Craftsman outlets or shop [sears.com/craftsman](http://sears.com/craftsman).

# PARTS LIST

## 2.8 Amp Compact Multi-Purpose / Plunge Action 3-in. Circular Saw Model Number 112.10872

The Model Number will be found on the Nameplate.  
Always mention the Model Number in all correspondence regarding your tool.



**PARTS LIST cont.****2.8 Amp Compact Multi-Purpose / Plunge Action  
3-in. Circular Saw Model Number 112.10872**

The Model Number will be found on the Nameplate.  
Always mention the Model Number in all correspondence regarding your tool.

Item No.	Parts No.	Part Description	Qty.
1	300801	Rated Label	1
2	300358	Self tapping Screw ST4.2X16	4
3	3780015	Right housing	1
0	601743	Trigger Unit Assembly	1
4	included	Cover	1
5	included	revolve-button	1
6	Included	Compression Spring	1
7	Included	Knob holder	1
8	601749	Power Cord Assembly	1
9	included	Cable Protector	1
10	included	Inner Line 120 (blue)	2
16	included	Inner wire 60 (brown)	2
11	300744	PCB Set	1
12	300766	Switch	1
13	3780014	Left Housing	1
14	included	Label ?	1
15	included	Brand Label	1
101	300767	Carbon brush set	2
17	included	Carbon Brush Assembly	2
18	included	Brush Holder	2
102	601744	Motor Assembly	1
19	included	Rear Support	1
20	included	Bearing Sleeve	1
21	included	Ball bearing 619/6-2Z	1
22	included	Nut M3	2
23	Included	Stator Assembly	1
24	included	Cushion	4
25	included	Screw Washer Assembly M3x45	2
26	included	Armature	1
27	included	Ball bearing 61800-2Z/C3	1
28	Included	Front Support	1
29	included	Fan	1
30	included	Ball bearing 619/9-2Z	1
31	included	Tolerance Ring	1
32	included	Sealing C0170 TC 9x17x4	1
33	300768	Screw M4X20	7
34	300751	Gear Case Cover	1
35	300799	Sealing 10675 TC6x15x4	1
36	300796	E Rng 5	1
37	300753	Tolerance Ring	2
38	300795	Ball Bearing 628/9-2Z/C3	2
39	300793	Worm gear	1
40	300798	Sealing	1
41	300740	Tolerance Ring	1
1	601750	Worm Shaft Assembly	1
42	included	Ball bearing 634-2Z/C3	1
43	included	Worm shaft	1
44	included	Gear	1
45	included	Ball bearing 624-2Z	1
46	included	Tolerance Ring	1

## 2.8 Amp Compact Multi-Purpose / Plunge Action 3-in. Circular Saw Model Number 112.10872

The Model Number will be found on the Nameplate.

Always mention the Model Number in all correspondence regarding your tool.

Item No.	Parts No.	Part Description	Qty.
47	3780024	Switch Lever	1
48	3780019	Slide Button	1
49	300797	Seal gasket	1
50	300752	Gear Housing	1
51	3780025	Dust Tube	1
52	300781	Nut M4	1
53	300761	Lower Guard	1
54	300764	Torsional Spring	1
55	300773	Retaining Ring 17-A	1
56	300794	spindle	1
57	300800	Saw Blade	1
58	300750	Outer Flange	1
59	300749	Screw	1
103	601747	Laser Unit Assembly	1
60	Included	Laser Cover ?	1
61	Included	Self Tapping Screw ST2.2x8	3
62	Included	Laser and LED Unit	1
63	Included	Screw M3x4	1
64	Included	Self Tapping Screw ST2.9x6	2
65	Included	Laser Tube Bracket	1
66	Included	Bracket	1
67	Included	Laser Bracket	1
104	601746	Upper Guard Assembly	1
68	Included	Pin shaft	1
69	Included	Spring Washer	1
70	Included	Adaptor	1
71	Included	Upper Guard	1
72	Included	Label ?	1
73	Included	Pointer	1
74	Included	Cam Button	1
75	Included	Spring Pin 2.5x18	1
88	Included	Label ?	1
105	601753	Base Assembly	1
76	Included	Label ?	1
77	Included	Screw M5x6	1
78	Included	Label ?	1
79	Included	Base Welding Unit	1
80	Included	Support Pin	1
81	Included	Spring	1
82	Included	Bolt	1
83	Included	Label ?	1
84	300774	Scale Assembly	1
85	300776	Spanner	2
86	300777	Screw	1
87	300788	Bolt	1
89	3780029	Protector Board	2
90	300783	Owners Manual	1

## NOTES

# NOTES