

Owner's Manual & Safety Instructions

Save This Manual Keep this manual for the safety warnings and precautions, assembly, operating, inspection, maintenance and cleaning procedures. Write the product's serial number in the back of the manual near the assembly diagram (or month and year of purchase if product has no number). Keep this manual and the receipt in a safe and dry place for future reference.

CHICAGO  **ELECTRIC**
POWER TOOLS

ITEM 68104

3-1/2 HORSEPOWER 14" INDUSTRIAL CUT-OFF SAW



REV 13g

Visit our website at: <http://www.harborfreight.com>
Email our technical support at: tech@harborfreight.com






When unpacking, make sure that the product is intact and undamaged. If any parts are missing or broken, please call 1-800-444-3353 as soon as possible.

Copyright© 2011 by Harbor Freight Tools®. All rights reserved.
No portion of this manual or any artwork contained herein may be reproduced in any shape or form without the express written consent of Harbor Freight Tools. Diagrams within this manual may not be drawn proportionally. Due to continuing improvements, actual product may differ slightly from the product described herein. Tools required for assembly and service may not be included.

WARNING

**Read this material before using this product.
Failure to do so can result in serious injury.
SAVE THIS MANUAL.**

WARNING SYMBOLS AND DEFINITIONS

	This is the safety alert symbol. It is used to alert you to potential personal injury hazards. Obey all safety messages that follow this symbol to avoid possible injury or death.
	Indicates a hazardous situation which, if not avoided, will result in death or serious injury.
	Indicates a hazardous situation which, if not avoided, could result in death or serious injury.
	Indicates a hazardous situation which, if not avoided, could result in minor or moderate injury.
	Addresses practices not related to personal injury.

Specifications

Electrical Input	120V~ / 60Hz / 15A	Max. Cut-off Wheel Diameter	14"
Motor No Load Speed	2800 RPM	Arbor Size	1"

IMPORTANT SAFETY INFORMATION

General Tool Safety Warnings



WARNING Read all safety warnings and instructions.

Failure to follow the warnings and instructions may result in electric shock, fire and/or serious injury.

Save all warnings and instructions for future reference.

1. KEEP GUARDS IN PLACE and in working order.
2. REMOVE ADJUSTING KEYS AND WRENCHES. Form habit of checking to see that keys and adjusting wrenches are removed from tool before turning it on.
3. KEEP WORK AREA CLEAN. Cluttered areas and benches invite accidents.
4. DON'T USE IN DANGEROUS ENVIRONMENT. Don't use power tools in damp or wet locations, or expose them to rain. Keep work area well lighted.
5. KEEP CHILDREN AWAY. All visitors should be kept safe distance from work area.
6. MAKE WORKSHOP KID PROOF with padlocks, master switches, or by removing starter keys.
7. DON'T FORCE TOOL. It will do the job better and safer at the rate for which it was designed.
8. USE RIGHT TOOL. Don't force tool or attachment to do a job for which it was not designed.

Table A: RECOMMENDED MINIMUM WIRE GAUGE FOR EXTENSION CORDS (120 VOLT)

NAMEPLATE AMPERES (at full load)	EXTENSION CORD LENGTH			
	25'	50'	100'	150'
0 – 6	18	16	16	14
6.1 – 10	18	16	14	12

Table A: RECOMMENDED MINIMUM WIRE GAUGE FOR EXTENSION CORDS (120 VOLT)

NAMEPLATE AMPERES (at full load)	EXTENSION CORD LENGTH			
	25'	50'	100'	150'
10.1 – 12	16	16	14	12
12.1 – 16	14	12	Do not use.	

9. USE PROPER EXTENSION CORD. Make sure your extension cord is in good condition. When using an extension cord, be sure to use one heavy enough to carry the current your product will draw. An undersized cord will cause a drop in line voltage resulting in loss of power and overheating. Table A shows the correct size to use depending on cord length and nameplate ampere rating. If in doubt, use the next heavier gauge. The smaller the gauge number, the heavier the cord.
10. WEAR PROPER APPAREL. Do not wear loose clothing, neckties, rings, bracelets, or other jewelry which may get caught in moving parts. Nonslip footwear is recommended. Wear protective hair covering to contain long hair.
11. ALWAYS USE SAFETY GLASSES. Also use face or dust mask if cutting operation is dusty. Everyday eyeglasses only have impact resistant lenses, they are NOT safety glasses.

12. **SECURE WORK.** Use clamps or a vise to hold work when practical. It's safer than using your hand and it frees both hands to operate tool.
13. **DON'T OVERREACH.**
Keep proper footing and balance at all times.
14. **MAINTAIN TOOLS WITH CARE.** Keep tools sharp and clean for best and safest performance. Follow instructions for lubricating and changing accessories.
15. **DISCONNECT TOOLS** before servicing; when changing accessories, such as blades, bits, cutters, and the like.
16. **REDUCE THE RISK OF UNINTENTIONAL STARTING.** Make sure switch is in off position before plugging in.
17. **USE RECOMMENDED ACCESSORIES.** Consult the owner's manual for recommended accessories. The use of improper accessories may cause risk of injury to persons.
18. **NEVER STAND ON TOOL.** Serious injury could occur if the tool is tipped or if the cutting tool is unintentionally contacted.
19. **CHECK DAMAGED PARTS.** Before further use of the tool, a guard or other part that is damaged should be carefully checked to determine that it will operate properly and perform its intended function – check for alignment of moving parts, binding of moving parts, breakage of parts, mounting, and any other conditions that may affect its operation. A guard or other part that is damaged should be properly repaired or replaced.
20. **DIRECTION OF FEED.** Feed work into a blade or cutter against the direction of rotation of the blade or cutter only.
21. **NEVER LEAVE TOOL RUNNING UNATTENDED. TURN POWER OFF.** Don't leave tool until it comes to a complete stop.

Grounding Instructions



WARNING

TO PREVENT ELECTRIC SHOCK AND DEATH FROM INCORRECT GROUNDING WIRE CONNECTION READ AND FOLLOW THESE INSTRUCTIONS:

110-120 V~ Grounded Tools: Tools with Three Prong Plugs

1. In the event of a malfunction or breakdown, grounding provides a path of least resistance for electric current to reduce the risk of electric shock. This tool is equipped with an electric cord having an equipment-grounding conductor and a grounding plug. The plug must be plugged into a matching outlet that is properly installed and grounded in accordance with all local codes and ordinances.
2. Do not modify the plug provided – if it will not fit the outlet, have the proper outlet installed by a qualified electrician.
3. Improper connection of the equipment-grounding conductor can result in a risk of electric shock. The conductor with insulation having an outer surface that is green with or without yellow stripes is the equipment-grounding conductor. If repair or replacement of the electric cord or plug is necessary, do not connect the equipment-grounding conductor to a live terminal.
4. Check with a qualified electrician or service personnel if the grounding instructions are not completely understood, or if in doubt as to whether the tool is properly grounded.
5. Use only 3-wire extension cords that have 3-prong grounding plugs and 3-pole receptacles that accept the tool's plug.
6. Repair or replace damaged or worn cord immediately.

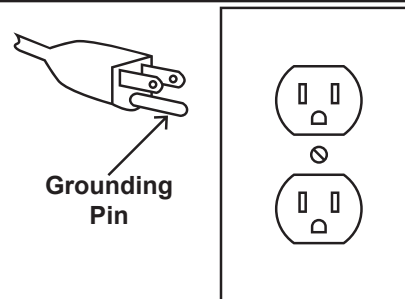


Figure A: 125 V~ 3-Prong Plug and Outlet
(for up to 125 V~ and up to 15 A)

7. This tool is intended for use on a circuit that has an outlet that looks like the one illustrated above in **Figure A: 125 V~ 3-Prong Plug and Outlet.** The tool has a grounding plug that looks like the plug illustrated above in **Figure A: 125 V~ 3-Prong Plug and Outlet.**
8. The outlet must be properly installed and grounded in accordance with all codes and ordinances.
9. Do not use an adapter to connect this tool to a different outlet.

Grinder Safety Warnings

For Your Own Safety Read Instruction Manual Before Operating Grinder

1. Wear eye protection.
2. Use grinding wheel suitable for speed of grinder.
3. Replace cracked wheel immediately.
4. Always use guards and eye shields.
5. Do not overtighten wheel nut.
6. Use only flanges furnished with the grinder.
7. Frequently clean grinding dust from beneath grinder.
8. Wear a full face shield over ANSI-approved safety goggles during use.
9. Do not grind with side of wheel.
10. **DO NOT OPERATE WITH ANY GUARD DISABLED, DAMAGED, OR REMOVED. Moving guards must move freely and close instantly.**
11. The use of accessories or attachments not recommended by the manufacturer may result in a risk of injury to persons.
12. When servicing use only identical replacement parts.
13. Do not depress the spindle lock when starting or during operation.
14. Only use safety equipment that has been approved by an appropriate standards agency. Unapproved safety equipment may not provide adequate protection. Eye protection must be ANSI-approved and breathing protection must be NIOSH-approved for the specific hazards in the work area.
15. Stay alert, watch what you are doing and use common sense when operating a power tool. Do not use a power tool while you are tired or under the influence of drugs, alcohol or medication. A moment of inattention while operating power tools may result in serious personal injury.
16. Industrial applications must follow OSHA guidelines.
17. Maintain labels and nameplates on the tool. These carry important safety information. If unreadable or missing, contact Harbor Freight Tools for a replacement.
18. Avoid unintentional starting. Prepare to begin work before turning on the tool.
19. People with pacemakers should consult their physician(s) before use. Electromagnetic fields in close proximity to heart pacemaker could cause pacemaker interference or pacemaker failure.
20. **WARNING:** Some dust created by power sanding, sawing, grinding, drilling, and other construction activities, contains chemicals known [to the State of California] to cause cancer, birth defects or other reproductive harm. Some examples of these chemicals are:
 - Lead from lead-based paints

- Crystalline silica from bricks and cement or other masonry products
 - Arsenic and chromium from chemically treated lumber
- Your risk from these exposures varies, depending on how often you do this type of work. To reduce your exposure to these chemicals: work in a well ventilated area, and work with approved safety equipment, such as those dust masks that are specially designed to filter out microscopic particles. (California Health & Safety Code § 25249.5, *et seq.*)

21. **WARNING:** Handling the cord on this product will expose you to lead, a chemical known to the State of California to cause cancer, and birth defects or other reproductive harm. Wash hands after handling. (California Health & Safety Code § 25249.5, *et seq.*)
22. The warnings, precautions, and instructions discussed in this instruction manual cannot cover all possible conditions and situations that may occur. It must be understood by the operator that common sense and caution are factors which cannot be built into this product, but must be supplied by the operator.

Vibration Safety

This tool vibrates during use. Repeated or long-term exposure to vibration may cause temporary or permanent physical injury, particularly to the hands, arms and shoulders. To reduce the risk of vibration-related injury:

1. Anyone using vibrating tools regularly or for an extended period should first be examined by a doctor and then have regular medical check-ups to ensure medical problems are not being caused or worsened from use. Pregnant women or people who have impaired blood circulation to the hand, past hand injuries, nervous system disorders, diabetes, or Raynaud's Disease should not use this tool. If you feel any medical or physical symptoms related to vibration (such as tingling, numbness, and white or blue fingers), seek medical advice as soon as possible.
2. Do not smoke during use. Nicotine reduces the blood supply to the hands and fingers, increasing the risk of vibration-related injury.
3. Wear suitable gloves to reduce the vibration effects on the user.
4. Use tools with the lowest vibration when there is a choice between different processes.
5. Include vibration-free periods each day of work.
6. Grip tool as lightly as possible (while still keeping safe control of it). Let the tool do the work.
7. To reduce vibration, maintain the tool as explained in this manual. If any abnormal vibration occurs, stop use immediately.



SAVE THESE INSTRUCTIONS.

Instructions for Putting into Use



Read the **ENTIRE IMPORTANT SAFETY INFORMATION** section at the beginning of this manual including all text under subheadings therein before set up or use of this product.

Note: For additional information regarding the parts listed in the following pages, refer to the Assembly Diagram near the end of this manual.

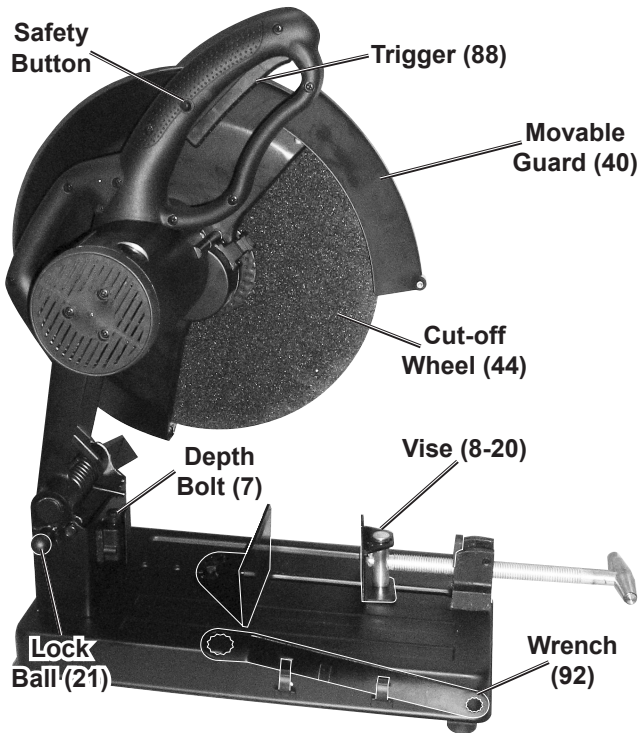


Figure B: Functions

Movable Guard: This is essential for protecting the operator. **Do not use the tool if this guard is damaged, missing, or does not move freely and close instantly.**

Trigger and Safety Button: These controls start the saw when they are pressed at the same time. **This safety feature helps to prevent accidental operation; do not strap the Safety Button down.**

Lock Ball: This is used to lock the saw in the down position for transport and storage. Hold the saw down and push the Lock Ball in to lock the saw down. **Do not use the saw with the blade in the locked down position.**

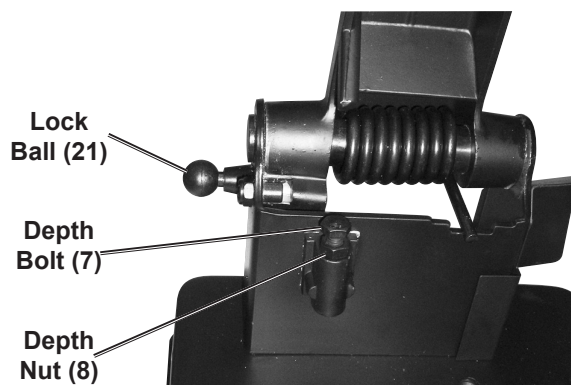


Figure C: Lock Ball and Depth Bolt

Depth Bolt: This controls the cutting depth. This will need to be adjusted as the grinding wheel wears down. Loosen the Depth Nut to allow adjustment and retighten it afterwards. **Adjust the Depth Bolt whenever replacing the grinding wheel to prevent damage to the tool or mounting surface.**

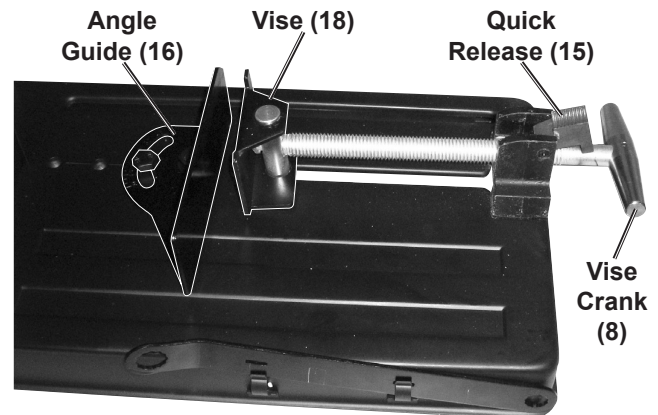


Figure D: Vise Functions

Angle Guide: This sets the Vise opening's angle/size. To adjust clamping angle, loosen both Bolts, turn Angle Guide to desired angle, and retighten both Bolts. To allow a larger Vise opening, remove both bolts and install the Angle Guide into the other holes in the Base.

Vise Crank: Turn this to engage or release the Vise. Slide the Vise against the workpiece before tightening.

Note: The Vise can tighten **only** with the Quick Release in the engaged position, as shown on the left in Figure E.

Quick Release: Use this to quickly move the Vise clear of the workpiece: loosen the Vise Crank enough to release pressure, then lift the Quick Release and slide the Vise Crank back. Then, move the Quick Release to the engaged position to allow tightening of the vise.

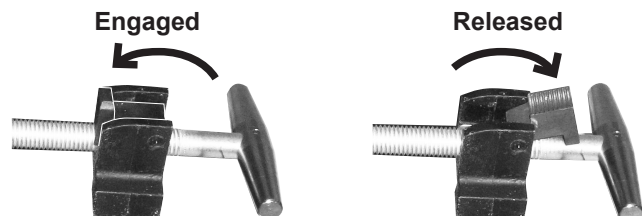


Figure E: Quick Release Positions

Operating Instructions



Read the **ENTIRE IMPORTANT SAFETY INFORMATION** section at the beginning of this manual including all text under subheadings therein before set up or use of this product.

Tool Set Up

⚠️ WARNING

TO PREVENT SERIOUS INJURY FROM ACCIDENTAL OPERATION:
Release the Trigger and unplug the tool from its electrical outlet before performing any inspection, maintenance, or cleaning procedures.

TO PREVENT SERIOUS INJURY:
DO NOT OPERATE WITH ANY GUARD DISABLED, DAMAGED, OR REMOVED.
Moving guards must move freely and close instantly.

1. Raise the Saw if it is locked down by pushing down on it and pulling out the Lock Ball (21).
2. Open the Movable Guard (40) and tighten the Bolt (39) to secure it while working on the Wheel.
3. Push in the Spindle Lock Pin towards the Fixed Guard as shown in Figure F. Rotate the wheel until the Lock Pin slides into place.

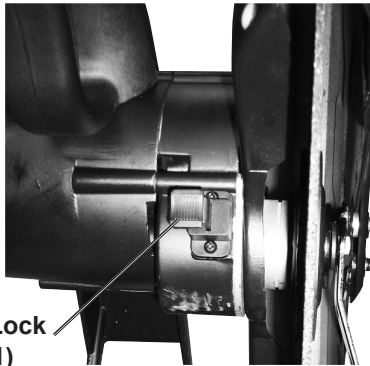


Figure F: Spindle Lock Pin

4. While continuing to hold down the Spindle Lock Pin, use the Wrench (92) to remove the Arbor Bolt (41).

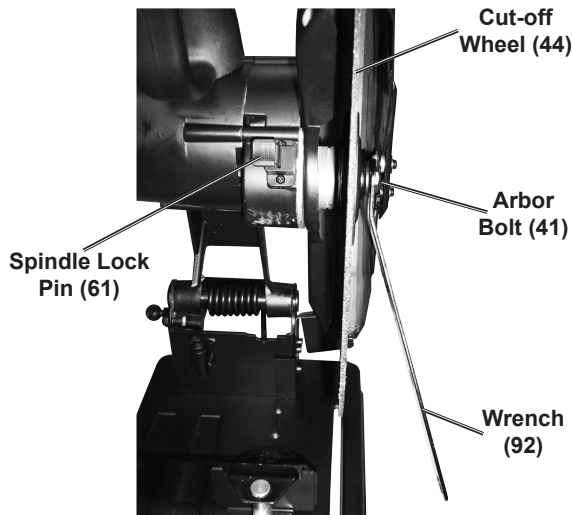


Figure G: Removing Cut-off Wheel

5. Remove the Arbor Bolt (41), Arbor Washer (42), Outer Flange (43), and Cut-off Wheel (44).

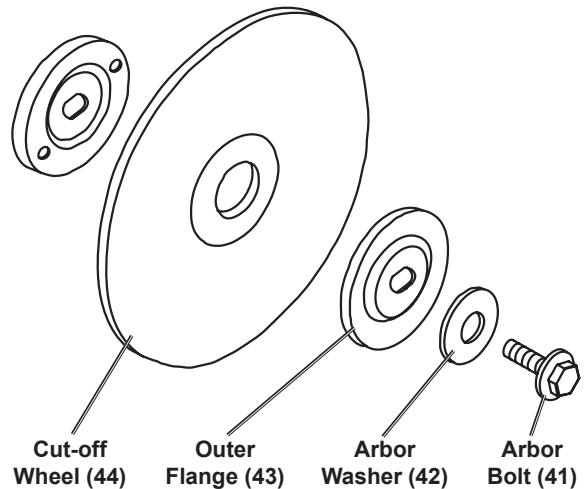


Figure H: Removing Wheel

6. Replace with a new Cut-off Wheel, and reassemble the parts shown in Figure H. The concave side of the Outer Flange and Arbor Washer must face the wheel, as shown in Figure I. While holding the Spindle Lock Pin, tighten the Arbor Bolt with the Wrench.

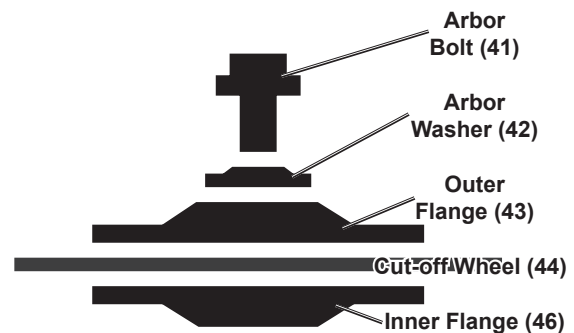


Figure I: Flange and Washer Cross-section

7. Loosen Depth Nut (8), and adjust Depth Bolt (7) to prevent new Cut-off Wheel from cutting into underlying surface. Tighten Depth Nut afterwards. See Figure C.

Work Piece and Work Area Set Up

1. Designate a work area that is clean and well-lit. The work area must not allow access by children or pets to prevent distraction and injury.
2. Route the power cord along a safe route to reach the work area without creating a tripping hazard or exposing the power cord to possible damage. The power cord must reach the work area with enough extra length to allow free movement while working.
3. Secure loose work pieces using the vise to prevent movement while working:

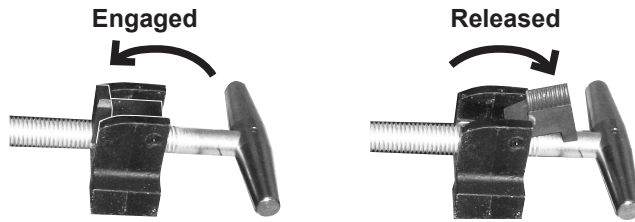


Figure E: Quick Release Positions

- a. To use the Quick Release, put the Quick Release tab in the position shown on the left in Figure E and push the Vise (18) up against the workpiece. Then tighten the Vise Crank. When releasing, loosen the Vise Crank about a turn, lift up the Quick Release, and pull the Vise Crank open.

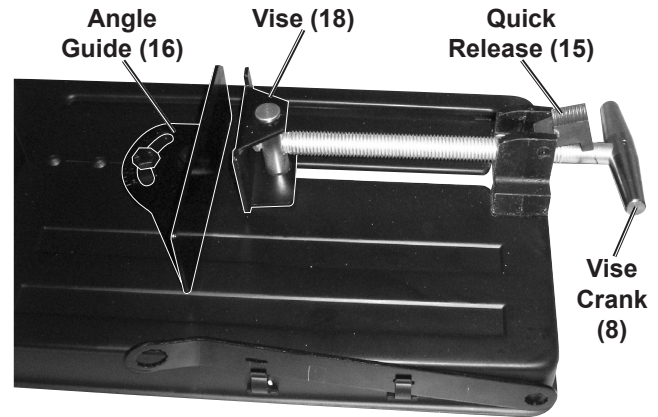


Figure D: Vise Functions

General Operating Instructions

⚠ WARNING

TO PREVENT SERIOUS INJURY:

DO NOT OPERATE WITH ANY GUARD DISABLED, DAMAGED, OR REMOVED. Moving guards must move freely and close instantly. Bolt (39) MUST be loose before operation.

1. Using the Vise, secure your workpiece and, if necessary, adjust the angle of the cut.
2. Raise the Saw by pushing down on it and pulling out the Lock Ball (21).
3. Plug the Power Cord into the nearest 120 V~, grounded, electrical outlet. Squeeze the Trigger and press the Safety Button to start the Saw. Allow the Cut-off Wheel to attain full speed for one minute before working.
4. With one hand on the Handle and the other hand clear, slowly bring the Saw down, letting the Saw do the work. Do not apply excessive force.
5. If the Cut-off Wheel does not cut all the way through the workpiece, raise the Saw and release the Trigger. Unplug the unit. Wait until the unit comes to a full stop. Remove the workpiece. Set the Depth Bolt to a deeper setting and bring the Saw all the way down to make sure the Cut-off Wheel doesn't contact the Base. If it does contact any part of the Base, re-adjust the depth so it doesn't.
6. Do not remove the workpiece until the Cut-off Wheel has stopped moving.
7. After use, to prevent accidents, turn off the tool, disconnect its power supply, and lock it down by pushing it down as far as it will go, and then pushing the Lock Ball (21) in after use. Clean, then store the tool indoors out of children's reach.

Maintenance and Servicing



Procedures not specifically explained in this manual must be performed only by a qualified technician.

WARNING


TO PREVENT SERIOUS INJURY FROM ACCIDENTAL OPERATION:

Release the Trigger and unplug the tool from its electrical outlet before performing any inspection, maintenance, or cleaning procedures.

TO PREVENT SERIOUS INJURY FROM TOOL FAILURE:

Do not use damaged equipment. If abnormal noise or vibration occurs, have the problem corrected before further use.

Cleaning, Maintenance, and Lubrication

1. **BEFORE EACH USE**, inspect the general condition of the tool. Check for loose hardware, misalignment or binding of moving parts, cracked or broken parts, damaged electrical wiring, and any other condition that may affect its safe operation.
2. **AFTER USE**, wipe external surfaces of the tool with clean cloth.
3.  **WARNING!** If the supply cord of this power tool is damaged, it must be replaced only by a qualified service technician.

Cut-off Wheel Storage and Handling

1. Handle Cut-off Wheels carefully to prevent dropping or bumping. Do not use wheels that have been dropped or bumped.
2. Store Cut-off Wheels in shelves, racks, boxes, or drawers. Storage area must be kept dry, and above freezing. Any grinding or cut-off wheels exposed to humidity or freezing temperatures must not be used.

Troubleshooting

Problem	Possible Causes	Likely Solutions
Tool will not start.	<ol style="list-style-type: none"> 1. Cord not connected. 2. No power at outlet. 3. Tool's thermal reset breaker tripped (if equipped). 4. Internal damage or wear. (Carbon brushes or switch, for example.) 	<ol style="list-style-type: none"> 1. Check that cord is plugged in. 2. Check power at outlet. If outlet is unpowered, turn off tool and check circuit breaker. If breaker is tripped, make sure circuit is right capacity for tool and circuit has no other loads. 3. Turn off tool and allow to cool. Press reset button on tool. 4. Have technician service tool.
Tool operates slowly.	Extension cord too long or wire size too small.	Eliminate use of extension cord. If an extension cord is needed, use one with the proper diameter for its length and load. See Table A on page 2.
Performance decreases over time.	<ol style="list-style-type: none"> 1. Cut-off Wheel worn. 2. Carbon brushes worn or damaged. 	<ol style="list-style-type: none"> 1. Replace Cut-off Wheels as needed. 2. Have qualified technician replace brushes.
Excessive noise or rattling.	Internal damage or wear. (Carbon brushes or bearings, for example.)	Have technician service tool.
Overheating.	<ol style="list-style-type: none"> 1. Forcing machine to work too fast. 2. Blocked motor housing vents. 3. Motor being strained by long or small diameter extension cord. 	<ol style="list-style-type: none"> 1. Allow machine to work at its own rate. 2. Wear ANSI-approved safety goggles and NIOSH-approved dust mask/respirator while blowing dust out of motor using compressed air. 3. Eliminate use of extension cord. If an extension cord is needed, use one with the proper diameter for its length and load. See Table A on page 2.



Follow all safety precautions whenever diagnosing or servicing the tool. Disconnect power supply before service.

PLEASE READ THE FOLLOWING CAREFULLY

THE MANUFACTURER AND/OR DISTRIBUTOR HAS PROVIDED THE PARTS LIST AND ASSEMBLY DIAGRAM IN THIS MANUAL AS A REFERENCE TOOL ONLY. NEITHER THE MANUFACTURER OR DISTRIBUTOR MAKES ANY REPRESENTATION OR WARRANTY OF ANY KIND TO THE BUYER THAT HE OR SHE IS QUALIFIED TO MAKE ANY REPAIRS TO THE PRODUCT, OR THAT HE OR SHE IS QUALIFIED TO REPLACE ANY PARTS OF THE PRODUCT. IN FACT, THE MANUFACTURER AND/OR DISTRIBUTOR EXPRESSLY STATES THAT ALL REPAIRS AND PARTS REPLACEMENTS SHOULD BE UNDERTAKEN BY CERTIFIED AND LICENSED TECHNICIANS, AND NOT BY THE BUYER. THE BUYER ASSUMES ALL RISK AND LIABILITY ARISING OUT OF HIS OR HER REPAIRS TO THE ORIGINAL PRODUCT OR REPLACEMENT PARTS THERETO, OR ARISING OUT OF HIS OR HER INSTALLATION OF REPLACEMENT PARTS THERETO.

Parts List

Part	Description
1	Bolt M6x14
2	Rubber Foot
3	Bolt M8x12
4	Base
5	Depth Adjustment Base
6	Depth Nut M8
7	Depth Bolt M8x40
8	Vise Crank
9	Pin 4X20
10	Threaded Rod
11	Quick Release Base
12	Rivet
13	Rod Bushing
14	Ø20 Retaining Ring
15	Quick Release
16	Angle Guide
17	Bolt M10x25
18	Vise
19	Cotter Pin
20	Vise Pin
21	Lock Ball
22	Lock Pin O-Ring
23	Lock Pin Shaft
24	Nut M8
25	Support Block
26	Lock Pin M8
27	Spring Washer
28	Flat Washer
29	Bolt M8x20
30	Flat Washer
31	Spring Washer
32	Bolt M5x12

Part	Description
33	Nut M6
34	Hinge Cover
35	Bolt M5x22
36	Washer
37	Spacing Nut
38	Nut M5
39	Bolt M4x14
40	Movable Guard
41	Arbor Bolt M10x20
42	Arbor Washer
43	Outer Flange
44	Cut-off Wheel
45	Washer
46	Inner Flange
47	Screw M5x55
48	Stationary Guard
49	Gearbox Cover
50	Bearing 6203
51	Ø40 Binding Ring
52	Output Spindle
53	Washer
54	Key
55	Gear
56	Ø16 Binding Ring
57	Washer
58	Spindle Lock Cover
59	Screw M4x8
60	Spring
61	Spindle Lock Pin
62	Spindle Lock
63	Bearing 6302
64	Rotor

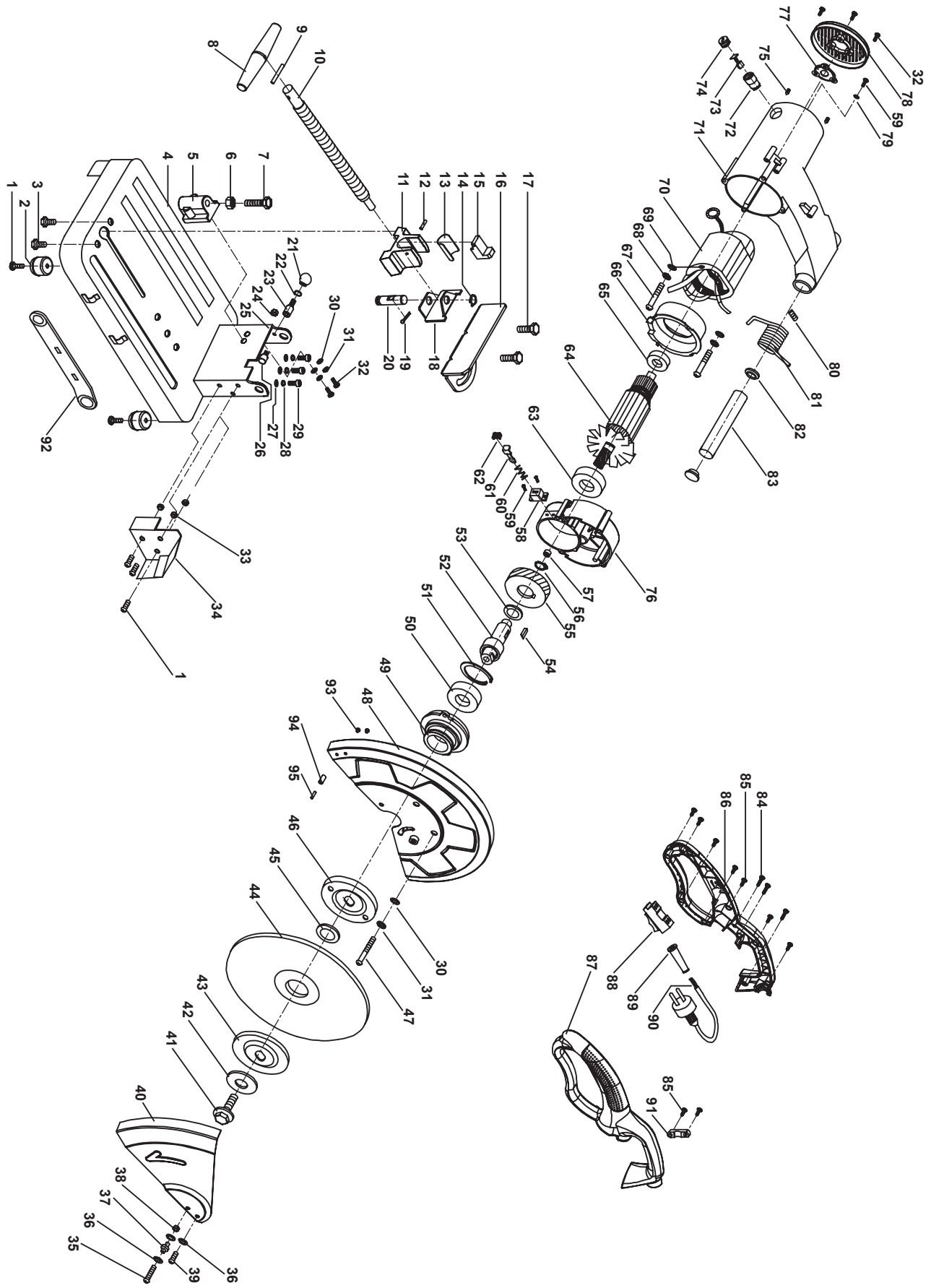
Part	Description
65	Bearing 6200
66	Seal Ring
67	Screw M6x70
68	Spring Washer
69	Flat Washer
70	Stator
71	Motor Housing
72	Carbon Brush Hole
73	Carbon Brush
74	Carbon Brush Cover
75	Screw M5x8
76	Intermediate Cover
77	Bearing Back Cover
78	Motor Housing Back Cover
79	Toothed Washer
80	Spring Pin 8X40
81	Spring
82	Block
83	Pin
84	Screw St3.9x20
85	Screw St3.9x14
86	Left Handle
87	Right Handle
88	Trigger
89	Power Cord Protector
90	Power Cord
91	Power Cord Clamp
92	Wrench
93	Plug
94	Rivet
95	Wheel

Record Product's Serial Number Here: _____

Note: If product has no serial number, record month and year of purchase instead.

Note: Some parts are listed and shown for illustration purposes only, and are not available individually as replacement parts.

Assembly Diagram



Limited 90 Day Warranty

Harbor Freight Tools Co. makes every effort to assure that its products meet high quality and durability standards, and warrants to the original purchaser that this product is free from defects in materials and workmanship for the period of 90 days from the date of purchase. This warranty does not apply to damage due directly or indirectly, to misuse, abuse, negligence or accidents, repairs or alterations outside our facilities, criminal activity, improper installation, normal wear and tear, or to lack of maintenance. We shall in no event be liable for death, injuries to persons or property, or for incidental, contingent, special or consequential damages arising from the use of our product. Some states do not allow the exclusion or limitation of incidental or consequential damages, so the above limitation of exclusion may not apply to you. THIS WARRANTY IS EXPRESSLY IN LIEU OF ALL OTHER WARRANTIES, EXPRESS OR IMPLIED, INCLUDING THE WARRANTIES OF MERCHANTABILITY AND FITNESS.

To take advantage of this warranty, the product or part must be returned to us with transportation charges prepaid. Proof of purchase date and an explanation of the complaint must accompany the merchandise. If our inspection verifies the defect, we will either repair or replace the product at our election or we may elect to refund the purchase price if we cannot readily and quickly provide you with a replacement. We will return repaired products at our expense, but if we determine there is no defect, or that the defect resulted from causes not within the scope of our warranty, then you must bear the cost of returning the product.

This warranty gives you specific legal rights and you may also have other rights which vary from state to state.

CHICAGO  ELECTRIC®
POWER TOOLS

3491 Mission Oaks Blvd. • PO Box 6009 • Camarillo, CA 93011 • (800) 444-3353