

Ivation

TRIGGER-START PROPANE TORCH USER GUIDE

IVATSPT08

Thank you for purchasing the Ivation® Trigger-Start Propane Torch. This User Guide is intended to provide you with guidelines to ensure that operation of this product is safe and does not pose risk to the user. Any use that does not conform to the guidelines described in this User Guide may void the limited warranty.

Please read all directions before using the product and retain this guide for reference. This product is intended for domestic use only.

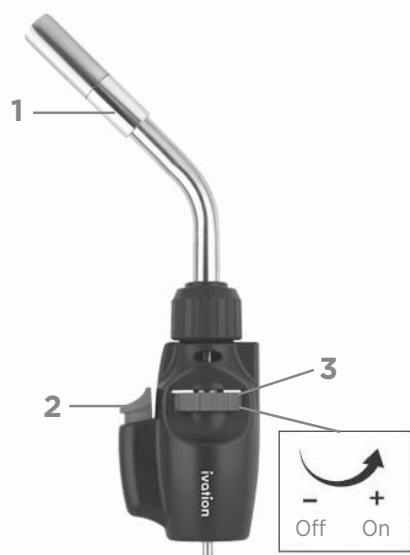
This product is covered by a limited one-year warranty. Coverage is subject to limits and exclusions. See warranty for details.

PACKAGE CONTENTS

- Trigger-start propane torch
- User guide

PRODUCT OVERVIEW

1. Burner tube
2. Ignition button
3. Gas adjustment knob



SAFETY PRECAUTIONS

DANGER: EXTREMELY FLAMMABLE. CONTENTS UNDER PRESSURE.

- Don't use this torch until you thoroughly read and understand all of the operation instructions and warnings. Deviating from these instructions could result in fire, explosions, property damage, and/or operator injury. Don't try to operate this device without reading the instructions.
- Make sure to familiarize yourself with the appliance itself before using it.
- Don't use any fuel other than propane with this torch, or else it could result in fires, explosions, property damage, and/or operator injury.
- Always close the torch valve and wait for the torch to cool down before tightening or removing the torch head, and before installing or removing accessories. Failure to do so could result in severe burns.
- Before using this appliance, check all the parts to make sure they function properly, and make sure no components have been damaged.
- Keep the torch out of the reach of children.
- Always keep away from heat or flame, and avoid prolonged exposure to sunlight.
- Disconnect the propane cylinder when this torch is not in use. Never store the torch while it's attached to a propane tank.
- Do not store the torch and/or propane tank near heat or in a room used for habitation.
- Don't use this torch to heat, mold, or bend plastic sheets, molding, or tubing.
- Don't use this torch to remove paint.
- Never point the torch toward your face, other people (or their faces), animals, or any other flammable objects/persons. Please never attempt to use this torch as a cigarette lighter.
- Do not attach or detach the torch from the gas cylinder in an area where accidentally released gas might be ignited by open flames.
- Never attempt to modify the torch construction and never use unapproved fuel, or else it could result in fires, explosions, property damage, and/or operator injury.
- Don't use a leaking, damaged, or malfunctioning torch.
- Treat this torch as you would any fine tool or instrument. If it's ever damaged, do not use it, and immediately contact the authorized service center for assistance.
- Torches improperly operated, maintained, or repaired are dangerous! Improper use, service repair, or modification of the torch could result in damage to the product, property damage, or personal injury to the operator.
- When the gas cylinder is empty, dispose of it properly in a safe and approved location. Do not throw the cylinder into a fire, puncture, or incinerate it.
- It is illegal and dangerous to refill the propane gas tank on your own. Obtain a new propane cylinder from an authorized retailer.
- Do not inhale gas, fumes, vapor, or spray from the propane cylinder or torch, and avoid contact with skin and eyes. If inhaled, immediately move the affected person to fresh air. For skin contact, flush with lots of water. In case of eye contact, rinse immediately with plenty of water and then seek medical advice.
- Always place your work on firebrick. Ordinary brick and concrete can explode when subjected to high temperatures. Do not work on wood or metal surfaces with this product. Always shield your work.
- Always wear protective glasses and gloves. Use proper tools to handle hot work. Always have a fire extinguisher and a bucket of water near your torch and work area.
- Only use this torch in well-ventilated areas.
- Hidden areas such as those behind walls, ceilings, floors, soffit boards, and other panels may contain flammable materials that could be ignited by the heat gun when working in these locations. The ignition of these materials may not be readily apparent and could result in property damage and injury to persons.
- When working in locations that could have hidden areas/flammable materials behind them, keep the torch moving in a back-and-forth motion. Lingering or pausing in one spot could ignite the panel or the material behind it.

⚠ DON'T CHANGE THE BURNER TUBE WHEN THE GAS CYLINDER IS STILL CONNECTED TO THE TORCH.

⚠ DON'T TURN THE BURNER TUBE FORCEFULLY AFTER LOCKING IT INTO PLACE.

TORCH OPERATION

1. This torch should only be used with a CGA 600 handle propane cylinder tank or US 1" threaded valve.
2. Before installing the torch on the gas cylinder, make sure the valve is OFF by turning the gas adjustment knob in a clockwise direction until it's securely hand-tightened. DO NOT FORCE IT.
3. Hold the torch and gas cylinder upright. Turn the cylinder counter-clockwise into the torch valve body until it's securely hand-tightened and attached to the torch connection. Do not force it. Check the connection to ensure there are no leaks.
4. Turn the gas adjustment knob counter-clockwise until you hear a slight hissing sound (this indicates gas is flowing). Press the ignition button to produce a flame.



FLAME ADJUSTMENT

1. Turn the adjustment knob to control the gas output and the size of the flame. Normal flame length is 4.7" (12 cm).
2. The maximum heat zone is very concentrated. It's located between ½" to 1" (1.3-2.5 cm) from the end of the tip. Holding the torch too close or too far away from the target can reduce the heating effect.



REGARDING COLD WEATHER OPERATION

In cold weather, the size of the flame might be smaller due to lower gas pressure. To produce a larger flame, you can pre-warm the gas cylinder by bringing it inside or wrapping it in a blanket until it reaches room temperature prior to use. (Do not use a heater or an open flame to warm the cylinder.) Shaking the gas cylinder a few times to warm the fuel up will also help. There is a possibility that the flame will extinguish in cold weather conditions.

SHUTOFF INSTRUCTIONS

1. To extinguish the torch, turn the gas adjustment knob all the way to the "OFF" position. The flame may continue for a short amount of time but should extinguish quickly.
2. When the torch has cooled, turn the gas cylinder counter-clockwise to disconnect it. Pull slightly on the ignition button to vent the remaining gas inside the torch.



CARE AND MAINTENANCE

1. Do not clean the burner tube immediately after turning the flame off. Put it in a cool, dry location for about 10-15 minutes after use. Make sure it is completely cooled, then use a wet towel to clean it.
2. Any other servicing should be performed by an authorized service representative.
3. Do not put the torch in water or it will not function correctly.
4. Always store the torch in a cool, dry area to avoid a product malfunction or any O-rings breaking.
5. Always store the torch and gas cylinders separately. Make sure to read other warnings on the gas cylinder label regarding storage and disposal.

Questions or Problems? Contact us!

info@myivation.com

1-866-849-3049

IVATION is a trademark of C&A IP Holdings, LLC, in the U.S.

All other products, brand names, company names, and logos are trademarks of their respective owners, used merely to identify their respective products, and are not meant to connote any sponsorship, endorsement or approval.

Distributed by C&A Marketing, Inc., 114 Tived Lane East, Edison, NJ 08837. Made in China.

© 2018. C&A IP Holdings, LLC. All Rights Reserved.