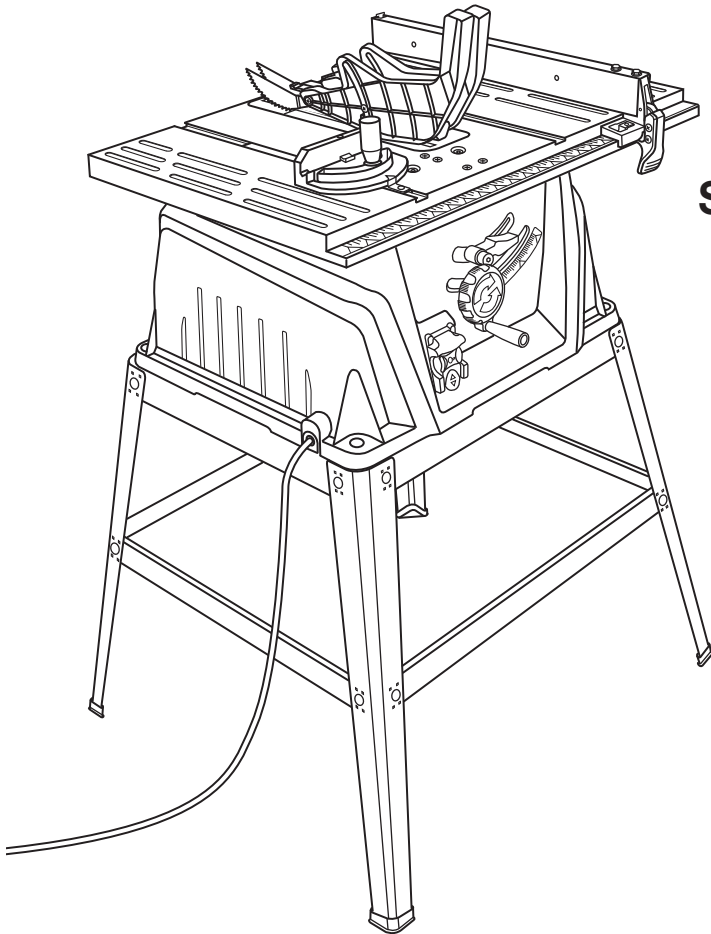




OPERATOR'S MANUAL

MANUEL D'UTILISATION

MANUAL DEL OPERADOR



10 in. TABLE SAW
SCIE À TABLE de 254 mm (10 po)
SIERRA DE MESA de 254 mm (10 pulg.)
RTS10/RTS10G

Your saw has been engineered and manufactured to our high standard for dependability, ease of operation, and operator safety. When properly cared for, it will give you years of rugged, trouble-free performance.

⚠ WARNING: To reduce the risk of injury, the user must read and understand the operator's manual before using this product.

SAVE THIS MANUAL FOR FUTURE REFERENCE

Cette scie a été conçue et fabriquée conformément aux strictes normes de fiabilité, simplicité d'emploi et sécurité d'utilisation. Correctement entretenu, cet outil vous donnera des années de fonctionnement robuste et sans problème.

Su sierra ha sido diseñado y fabricado de conformidad con nuestras estrictas normas para brindar fiabilidad, facilidad de uso y seguridad para el operador. Con el debido cuidado, le brindará muchos años de sólido funcionamiento y sin problemas.

⚠ AVERTISSEMENT : Pour réduire les risques de blessures, l'utilisateur doit lire et veiller à bien comprendre le manuel d'utilisation avant d'employer ce produit.

⚠ ADVERTENCIA: Para reducir el riesgo de lesiones, el usuario debe leer y comprender el manual del operador antes de usar este producto.

**CONSERVER CE MANUEL POUR
FUTURE RÉFÉRENCE**

**GUARDE ESTE MANUAL PARA
FUTURAS CONSULTAS**

TABLE OF CONTENTS

TABLE DES MATIÈRES / ÍNDICE DE CONTENIDO

| | |
|--|-----------|
| ■ Introduction | 2 |
| Introduction / Introducción | |
| ■ General Safety Rules | 3-4 |
| Règles de sécurité générales / Reglas de seguridad generales | |
| ■ Specific Safety Rules..... | 4-5 |
| Règles de sécurité particulières / Reglas de seguridad específicas | |
| ■ Symbols..... | 6 |
| Symboles / Símbolos | |
| ■ Electrical..... | 7 |
| Caractéristiques électriques / Aspectos eléctricos | |
| ■ Glossary of Terms..... | 8 |
| Glossaire / Glosario de términos | |
| ■ Features..... | 9-11 |
| Caractéristiques / Características | |
| ■ Tools Needed..... | 12 |
| Outils nécessaires / Herramientas necesarias | |
| ■ Loose Parts | 13-14 |
| Pièces détachées / Piezas sueltas | |
| ■ Assembly | 15-21 |
| Assemblage / Armado | |
| ■ Operation..... | 22-34 |
| Utilisation / Funcionamiento | |
| ■ Adjustments..... | 35-37 |
| Réglages / Ajustes | |
| ■ Maintenance..... | 37 |
| Entretien / Mantenimiento | |
| ■ Troubleshooting | 38-39 |
| Dépannage / Solución de problemas | |
| ■ Parts Ordering and Service | Back page |
| Commande de pièces et réparation / Pedidos de piezas y servicio | |

INTRODUCTION

INTRODUCTION / INTRODUCCIÓN

This product has many features for making its use more pleasant and enjoyable. Safety, performance, and dependability have been given top priority in the design of this product making it easy to maintain and operate.

* * *

Ce produit offre de nombreuses fonctions destinées à rendre son utilisation plus plaisante et satisfaisante. Lors de la conception de ce produit, l'accent a été mis sur la sécurité, les performances et la fiabilité, afin d'en faire un outil facile à utiliser et à entretenir.

* * *

Este producto ofrece numerosas características para hacer más agradable y placentero su uso. En el diseño de este producto se ha conferido prioridad a la seguridad, el desempeño y la fiabilidad, por lo cual se facilita su manejo y mantenimiento.

GENERAL SAFETY RULES



WARNING:

Read and understand all instructions. Failure to follow all instructions listed below, may result in electric shock, fire and/or serious personal injury.

READ ALL INSTRUCTIONS

- **KNOW YOUR POWER TOOL.** Read the operator's manual carefully. Learn the saw's applications and limitations as well as the specific potential hazards related to this tool.
- **GUARD AGAINST ELECTRICAL SHOCK BY PREVENTING BODY CONTACT WITH GROUNDED SURFACES.** For example, pipes, radiators, ranges, refrigerator enclosures.
- **KEEP GUARDS IN PLACE** and in good working order.
- **REMOVE ADJUSTING KEYS AND WRENCHES.** Form habit of checking to see that keys and adjusting wrenches are removed from tool before turning it on.
- **KEEP WORK AREA CLEAN.** Cluttered areas and benches invite accidents. **DO NOT** leave tools or pieces of wood on the saw while it is in operation.
- **DO NOT USE IN DANGEROUS ENVIRONMENTS.** Do not use power tools in damp or wet locations or expose to rain. Keep the work area well lit.
- **KEEP CHILDREN AND VISITORS AWAY.** All visitors should wear safety glasses and be kept a safe distance from work area. Do not let visitors contact tool or extension cord while operating.
- **MAKE WORKSHOP CHILDPROOF** with padlocks and master switches, or by removing starter keys.
- **DON'T FORCE TOOL.** It will do the job better and safer at the feed rate for which it was designed.
- **USE RIGHT TOOL.** Don't force the tool or attachment to do a job it was not designed for. Don't use it for a purpose not intended.
- **USE THE PROPER EXTENSION CORD.** Make sure your extension cord is in good condition. Use only a cord heavy enough to carry the current your product will draw. An undersized cord will cause a drop in line voltage resulting in loss of power and overheating. A wire gauge size (A.W.G.) of at least **14** is recommended for an extension cord 25 feet or less in length. If in doubt, use the next heavier gauge. The smaller the gauge number, the heavier the cord.
- **DRESS PROPERLY.** Do not wear loose clothing, gloves, neckties, or jewelry. They can get caught and draw you into moving parts. Also wear protective hair covering to contain long hair.
- **ALWAYS WEAR EYE PROTECTION WITH SIDE SHIELDS MARKED TO COMPLY WITH ANSI Z87.1.** Failure to do so could result in objects being thrown into your eyes, resulting in possible serious injury.
- **SECURE WORK.** Use clamps or a vise to hold work when practical. It's safer than using your hand and frees both hands to operate tool.
- **DON'T OVERREACH.** Keep proper footing and balance at all times.
- **MAINTAIN TOOLS WITH CARE.** Keep tools sharp and clean for better and safer performance. Follow instructions for lubricating and changing accessories.
- **DISCONNECT TOOLS.** When not in use, before servicing, or when changing attachments, blades, bits, cutters, etc., all tools should be disconnected.
- **AVOID ACCIDENTAL STARTING.** Be sure switch is off when plugging in any tool.
- **USE RECOMMENDED ACCESSORIES.** Consult the operator's manual for recommended accessories. The use of improper accessories may risk injury.
- **NEVER STAND ON TOOL.** Serious injury could occur if the tool is tipped or if the cutting tool is unintentionally contacted.
- **CHECK DAMAGED PARTS.** Before further use of the tool, a guard or other part that is damaged should be carefully checked to determine that it will operate properly and perform its intended function. Check for alignment of moving parts, binding of moving parts, breakage of parts, mounting and any other conditions that may affect its operation. A guard or other part that is damaged must be properly repaired or replaced by an authorized service center to avoid risk of personal injury.
- **USE THE RIGHT DIRECTION OF FEED.** Feed work into a blade or cutter against the direction of rotation of blade or cutter only.
- **NEVER LEAVE TOOL RUNNING UNATTENDED. TURN THE POWER OFF.** Don't leave tool until it comes to a complete stop.
- **PROTECT YOUR LUNGS.** Wear a face or dust mask if the cutting operation is dusty.
- **PROTECT YOUR HEARING.** Wear hearing protection during extended periods of operation.
- **DO NOT ABUSE CORD.** Never yank cord to disconnect from receptacle. Keep cord from heat, oil, and sharp edges.
- **WHEN OPERATING A POWER TOOL OUTSIDE, USE AN OUTDOOR EXTENSION CORD MARKED "W-A" OR "W".** These cords are rated for outdoor use and reduce the risk of electric shock.
- **ALWAYS KEEP THE BLADE GUARD AND RIVING KNIFE (SPLITTER) IN PLACE** and in working order.
- **KEEP BLADES CLEAN, SHARP, AND WITH SUFFICIENT SET.** Sharp blades minimize stalling and kickback.
- **KEEP HANDS AWAY FROM CUTTING AREA.** Keep hands away from blades. Do not reach underneath work or around or over the blade while blade is rotating. Do not attempt to remove cut material when blade is moving.
- **BLADE COASTS AFTER BEING TURNED OFF.**

GENERAL SAFETY RULES

- **NEVER USE IN AN EXPLOSIVE ATMOSPHERE.** Normal sparking of the motor could ignite fumes.
- **INSPECT TOOL CORDS PERIODICALLY.** If damaged, have repaired by a qualified service technician at an authorized service facility. The conductor with insulation having an outer surface that is green with or without yellow stripes is the equipment-grounding conductor. If repair or replacement of the electric cord or plug is necessary, do not connect the equipment-grounding conductor to a live terminal. Repair or replace a damaged or worn cord immediately. Stay constantly aware of cord location and keep it well away from the rotating blade.
- **INSPECT EXTENSION CORDS PERIODICALLY** and replace if damaged.
- **GROUND ALL TOOLS.** If tool is equipped with three-prong plug, it should be plugged into a three-hole electrical receptacle.
- **CHECK WITH A QUALIFIED ELECTRICIAN** or service personnel if the grounding instructions are not completely understood or if in doubt as to whether the tool is properly grounded.
- **USE ONLY CORRECT ELECTRICAL DEVICES:** 3-wire extension cords that have 3-prong grounding plugs and 3-pole receptacles that accept the tool's plug.
- **DO NOT MODIFY** the plug provided. If it will not fit the outlet, have the proper outlet installed by a qualified electrician.
- **KEEP TOOL DRY, CLEAN, AND FREE FROM OIL AND GREASE.** Always use a clean cloth when cleaning. Never use brake fluids, gasoline, petroleum-based products, or any solvents to clean tool.
- **STAY ALERT AND EXERCISE CONTROL.** Watch what you are doing and use common sense. Do not operate tool when you are tired. Do not rush.
- **DO NOT USE TOOL IF SWITCH DOES NOT TURN IT ON AND OFF.** Have defective switches replaced by an authorized service center.
- **USE ONLY CORRECT BLADES.** Do not use blades with incorrect size holes. Never use blade washers or blade bolts that are defective or incorrect. The maximum blade capacity of your saw is 10 in. (254 mm).
- **BEFORE MAKING A CUT, BE SURE ALL ADJUSTMENTS ARE SECURE.**
- **BE SURE BLADE PATH IS FREE OF NAILS.** Inspect for and remove all nails from lumber before cutting.
- **NEVER TOUCH BLADE** or other moving parts during use.
- **NEVER START A TOOL WHEN ANY ROTATING COMPONENT IS IN CONTACT WITH THE WORKPIECE.**
- **DO NOT OPERATE A TOOL WHILE UNDER THE INFLUENCE OF DRUGS, ALCOHOL, OR ANY MEDICATION.**
- **WHEN SERVICING** use only identical replacement parts. Use of any other parts may create a hazard or cause product damage.
- **USE ONLY RECOMMENDED ACCESSORIES** listed in this manual or addendums. Use of accessories that are not listed may cause the risk of personal injury. Instructions for safe use of accessories are included with the accessory.
- **DOUBLE CHECK ALL SETUPS.** Make sure blade is tight and not making contact with saw or workpiece before connecting to power supply.

SPECIFIC SAFETY RULES

- **FIRMLY BOLT THE SAW TO A WORK BENCH OR LEG STAND** at approximately hip height.
- **DO NOT OPERATE THE SAW WITHOUT THE STAND ON THE FLOOR.**
- **GUARD AGAINST KICKBACK.** Kickback occurs when the blade stalls rapidly and workpiece is driven back towards the operator. It can pull your hand into the blade resulting in serious personal injury. Stay out of blade path and turn switch off immediately if blade binds or stalls.
- **USE RIP FENCE.** Always use a fence or straight edge guide when ripping.
- **SUPPORT LARGE PANELS.** To minimize risk of blade pinching and kickback, always support large panels.
- **REMOVE ALL FENCES AND AUXILIARY TABLES** before transporting saw. Failure to do so can result in an accident causing possible serious personal injury.
- **ALWAYS USE BLADE GUARD, RIVING KNIFE, AND ANTI-KICKBACK PAWLS** on all "through-sawing" operations. Through-sawing operations are those in which the blade cuts completely through the workpiece as in ripping or cross cutting. Keep the blade guard down, the anti-kickback pawls down, and the riving knife in place.
- **ALWAYS SECURE WORK** firmly against rip fence, miter fence, or miter gauge.
- **ALWAYS USE A PUSH STICK FOR RIPPING NARROW STOCK.** A push stick is a device used to push a workpiece through the blade instead of using your hands. Size and shape can vary but the push stick must always be narrower than the workpiece to prevent the push stick from contacting the saw blade. When ripping narrow stock, always use a push stick, or the jig mentioned in the *How to Make A Jig (For Rip Cutting Narrow Workpiece)* section of this manual, so your hand does not come close to the saw blade. Use a featherboard and push blocks for non-through cuts.

SPECIFIC SAFETY RULES

- **WHEN MAKING NON-THROUGH RIP CUTS**, always use a push stick, push block, and/or featherboard so your hands do not come within 3 inches of the saw blade.
- **WHEN RIPPING NARROW STOCK**, always use a push stick, push block, jig (designed for narrow ripping), or featherboard.
- **NEVER** perform any operation “freehand” which means using only your hands to support or guide the workpiece. Always use either the rip fence or miter fence to position and guide the work.
- **NEVER** stand or have any part of your body in line with the path of the saw blade.
- **NEVER** reach behind, over, or within three inches of the blade or cutter with either hand for any reason.
- **ALWAYS REMOVE THE RIP FENCE** from the saw when cross cutting.
- **DO NOT USE THE MITER GAUGE AND RIP FENCE** during the same operation.
- **NEVER** use rip fence as cutoff gauge when cross cutting.
- **NEVER** attempt to free a stalled saw blade without first turning the saw **OFF** and disconnecting the saw from the power source.
- **PROVIDE ADEQUATE SUPPORT** to the rear and sides of the saw table for wide or long work pieces.
- **AVOID KICKBACKS** (work thrown back toward you) by:
 - a) Keeping blade sharp.
 - b) Keeping rip fence parallel to the saw blade.
 - c) Keeping riving knife, anti-kickback pawls, and blade guard in place and operating.
 - d) Not releasing the work before it is pushed all the way past the saw blade using a push stick.
 - e) Not ripping work that is twisted or warped or does not have a straight edge to guide along the fence.
- **IF THE POWER SUPPLY CORD IS DAMAGED**, it must be replaced only by the manufacturer or by an authorized service center to avoid risk.
- **AVOID AWKWARD OPERATIONS AND HAND POSITIONS** where a sudden slip could cause your hand to move into the cutting tool.
- **USE ONLY RECOMMENDED ACCESSORIES** listed in this manual or addendums. Use of accessories that are not listed may cause the risk of personal injury. Instructions for safe use of accessories are included with the accessory.
- **MAKE SURE THE WORK AREA HAS AMPLE LIGHTING** to see the work and that no obstructions will interfere with safe operation **BEFORE** performing any work using the table saw.
- **ALWAYS TURN OFF SAW** before disconnecting it, to avoid accidental starting when reconnecting to power supply.
- **ONLY USE BLADES** within the thickness range stamped on the riving knife.
- **THIS TOOL** should have the following markings:
 - a) Wear eye protection.
 - b) Use saw blade guard and riving knife for every operation for which it can be used, including all through sawing.
 - c) Keep hands out of the line of saw blade.
 - d) Use a push stick when required.
 - e) Pay particular attention to instructions on reducing risk of kickback.
 - f) Do not perform any operation freehand.
 - g) Never reach around or over the saw blade.
 - h) Never operate saw on floor or below waist height.
- **NEVER CUT MORE THAN ONE PIECE OF MATERIAL AT A TIME.**
- **SAVE THESE INSTRUCTIONS.** Refer to them frequently and use to instruct other users. If you loan someone this tool, loan them these instructions also.

CALIFORNIA PROPOSITION 65

WARNING:

This product and some dust created by power sanding, sawing, grinding, drilling, and other construction activities may contain chemicals, including lead, known to the State of California to cause cancer, birth defects, or other reproductive harm. **Wash hands after handling.**




Some examples of these chemicals are

- lead from lead-based paints,
- crystalline silica from bricks and cement and other masonry products and,
- arsenic and chromium from chemically treated lumber.







Your risk from exposure to these chemicals varies, depending on how often you do this type of work. To reduce your exposure, work in a well-ventilated area and with approved safety equipment, such as dust masks that are specially designed to filter out microscopic particles.

SYMBOLS

The following signal words and meanings are intended to explain the levels of risk associated with this product.

| SYMBOL | SIGNAL | MEANING |
|---|-----------------|--|
|  | DANGER: | Indicates a hazardous situation, which, if not avoided, will result in death or serious injury. |
|  | WARNING: | Indicates a hazardous situation, which, if not avoided, could result in death or serious injury. |
|  | CAUTION: | Indicates a hazardous situation, that, if not avoided, may result in minor or moderate injury. |
| | NOTICE: | (Without Safety Alert Symbol) Indicates information considered important, but not related to a potential injury (e.g. messages relating to property damage). |

Some of the following symbols may be used on this tool. Please study them and learn their meaning. Proper interpretation of these symbols will allow you to operate the tool better and safer.

| SYMBOL | NAME | DESIGNATION/EXPLANATION |
|---|------------------------|--|
|  | Safety Alert | Indicates a potential personal injury hazard. |
|  | Read Operator's Manual | To reduce the risk of injury, user must read and understand operator's manual before using this product. |
|  | Eye Protection | Always wear eye protection with side shields marked to comply with ANSI Z87.1. |
|  | No Hands Symbol | Failure to keep your hands away from the blade will result in serious personal injury. |
|  | Wet Conditions Alert | Do not expose to rain or use in damp locations. |
| V | Volts | Voltage |
| A | Amperes | Current |
| Hz | Hertz | Frequency (cycles per second) |
| min | Minutes | Time |
| ~ | Alternating Current | Type of current |
| n_0 | No Load Speed | Rotational speed, at no load |
|  | Class II Construction | Double-insulated construction |
| .../min | Per Minute | Revolutions, strokes, surface speed, orbits, etc., per minute |

ELECTRICAL

EXTENSION CORDS

Use only 3-wire extension cords that have 3-prong grounding plugs and 3-pole receptacles that accept the tool's plug. When using a power tool at a considerable distance from the power source, use an extension cord heavy enough to carry the current that the tool will draw. An undersized extension cord will cause a drop in line voltage, resulting in a loss of power and causing the motor to overheat. Use the chart provided below to determine the minimum wire size required in an extension cord. Only round jacketed cords listed by Underwriter's Laboratories (UL) should be used.

**Ampere rating (on tool faceplate)

| Cord Length | Wire Size (A.W.G.) | | | | | |
|-------------|--------------------|---------|---------|---------|----------|-----------|
| | 0-2.0 | 2.1-3.4 | 3.5-5.0 | 5.1-7.0 | 7.1-12.0 | 12.1-16.0 |
| 25' | 16 | 16 | 16 | 16 | 14 | 14 |
| 50' | 16 | 16 | 16 | 14 | 14 | 12 |
| 100' | 16 | 16 | 14 | 12 | 10 | — |

**Used on 12 gauge - 20 amp circuit.

NOTE: AWG = American Wire Gauge

When working with the tool outdoors, use an extension cord that is designed for outside use. This is indicated by the letters "W-A" or "W" on the cord's jacket.

Before using an extension cord, inspect it for loose or exposed wires and cut or worn insulation.

⚠ WARNING:

Keep the extension cord clear of the working area. Position the cord so that it will not get caught on lumber, tools or other obstructions while you are working with a power tool. Failure to do so can result in serious personal injury.

⚠ WARNING:

Check extension cords before each use. If damaged replace immediately. Never use product with a damaged cord since touching the damaged area could cause electrical shock resulting in serious injury.

ELECTRICAL CONNECTION

This product is powered by a precision built electric motor. It should be connected to a **power supply that is 120 V, AC only (normal household current), 60 Hz**. Do not operate this product on direct current (DC). A substantial voltage drop will cause a loss of power and the motor will overheat. If the saw does not operate when plugged into an outlet, double check the power supply.

SPEED AND WIRING

The no-load speed of this tool is approximately 5,000 rpm. This speed is not constant and decreases under a load or with lower voltage. For voltage, the wiring in a shop is as important as the motor's horsepower rating. A line intended only for lights cannot properly carry a power tool motor. Wire that is heavy enough for a short distance will be too light for a greater distance. A line that can support one power tool may not be able to support two or three tools.

GROUNDING INSTRUCTIONS

This product must be grounded. In the event of a malfunction or breakdown, grounding provides a path of least resistance for electric current to reduce the risk of electric shock. This tool is equipped with an electric cord having an equipment-grounding conductor and a grounding plug. The plug must be plugged into a matching outlet that is properly installed and grounded in accordance with all local codes and ordinances.

Do not modify the plug provided. If it will not fit the outlet, have the proper outlet installed by a qualified electrician.

⚠ WARNING:

Improper installation of the grounding plug can result in a risk of electric shock. When repair or replacement of the cord is required, do not connect the grounding wire to either flat blade terminal. The wire with insulation having an outer surface that is green with or without yellow stripes is the grounding wire.

Check with a qualified electrician or service personnel if the grounding instructions are not completely understood, or if in doubt as to whether the tool is properly grounded.

Repair or replace a damaged or worn cord immediately.

This product is for use on a nominal 120 volt circuit and has a grounding plug similar to the plug illustrated in figure 1. Only connect the product to an outlet having the same configuration as the plug. Do not use an adapter with this product.

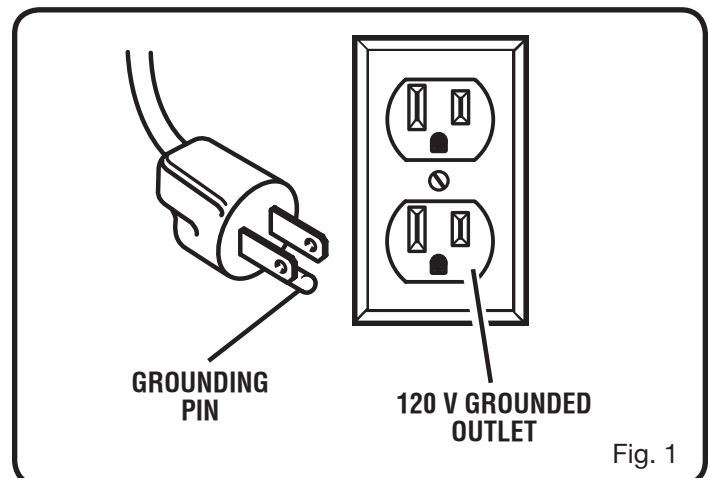


Fig. 1

GLOSSARY OF TERMS

Anti-Kickback Pawls (radial arm and table saws)

A device which, when properly installed and maintained, is designed to stop the workpiece from being kicked back toward the front of the saw during a ripping operation.

Arbor

The shaft on which a blade or cutting tool is mounted.

Bevel Cut

A cutting operation made with the blade at any angle other than 90° to the table surface.

Chamfer

A cut removing a wedge from a block so the end (or part of the end) is angled rather than at 90°.

Compound Cut

A cross cut made with both a miter and a bevel angle.

Cross Cut

A cutting or shaping operation made across the grain or the width of the workpiece.

Cutter Head (planers and jointer planers)

A rotating cutterhead with adjustable blades or knives. The blades or knives remove material from the workpiece.

Dado Cut (table saws and compound sliding miter saws)

A non-through cut which produces a square, three-sided notch or trough in the workpiece.

Featherboard (table saws)

A device used to help control the workpiece by guiding it securely against the table or fence during any ripping operation.

FPM or SPM

Feet per minute (or strokes per minute), used in reference to blade movement.

Freehand

Performing a cut without the workpiece being guided by a fence, miter fence, or other aids.

Gum

A sticky, sap-based residue from wood products.

Heel

Alignment of the blade to the fence.

Kerf

The material removed by the blade in a through cut or the slot produced by the blade in a non-through or partial cut.

Kickback

A hazard that can occur when the blade binds or stalls, throwing the workpiece in the direction of the spinning blade.

Miter Cut

A cutting operation made with the workpiece at any angle to the blade other than 90°.

Non-Through Cuts (table saws and compound sliding miter saws)

Any cutting operation where the blade does not extend completely through the thickness of the workpiece. This is a cut where the blade will not cut the workpiece into two pieces.

Pilot Hole (drill presses and scroll saws)

A small hole drilled in a workpiece that serves as a guide for drilling large holes accurately or for insertion of a scroll saw blade.

Push Blocks (jointer planers)

Device used to feed the workpiece over the jointer planer cutterhead during any operation. This aid helps keep the operator's hands well away from the cutterhead.

Push Blocks and Push Sticks (table saws)

Devices used to feed the workpiece through the saw blade during cutting operations. When making a narrow rip cut without a jig or similar cutting aid, always use a push stick (not a push block). A push block can be used for narrow ripping operations, if a jig or similar cutting aid is used. These aids help keep the operator's hands well away from the blade.

Rabbet

A non-through cut positioned on the end or edge of the workpiece which produces a square, two-sided notch or trough in the workpiece.

Resaw (table saws and band saws)

A cutting operation to reduce the thickness of the workpiece to make thinner pieces.

Resin

A sticky, sap-based substance that has hardened.

Revolutions Per Minute (RPM)

The number of turns completed by a spinning object in one minute.

Ripping or Rip Cut (table saws)

A cutting operation along the length of the workpiece and typically in the direction of the grain.

Living Knife/Spreader/Splitter (table saws)

A metal piece, slightly thinner than the blade, which helps keep the kerf open and also helps to prevent kickback.

Saw Blade Path

The area over, under, behind, or in front of the blade. As it applies to the workpiece, that area which will be or has been cut by the blade.

Snipe (planers)

Depression made at either end of a workpiece by cutter blades when the workpiece is not properly supported.

Taper Cut

A cut where the material being cut has a different width at the beginning of the cut from the end.

Through Sawing

Any cutting operation where the blade extends completely through the thickness of the workpiece. This type of cut will separate a single workpiece into two pieces.

Workpiece or Material

The item on which the operation is being done.

Worktable

Surface where the workpiece rests while performing a cutting, drilling, planing, or sanding operation.

FEATURES

PRODUCT SPECIFICATIONS

| | | | |
|----------------------|-----------------------|----------------------------|--------------------|
| Blade Arbor | 5/8 in. | Input | 15 Amps |
| Blade Diameter | 10 in. | No Load Speed | 5,000 r/min. (RPM) |
| Blade Tilt | 0° - 45° | Cutting Depth at 0° | 3 in. |
| Rating | 120 V, AC only, 60 Hz | Cutting Depth at 45° | 2-1/2 in. |

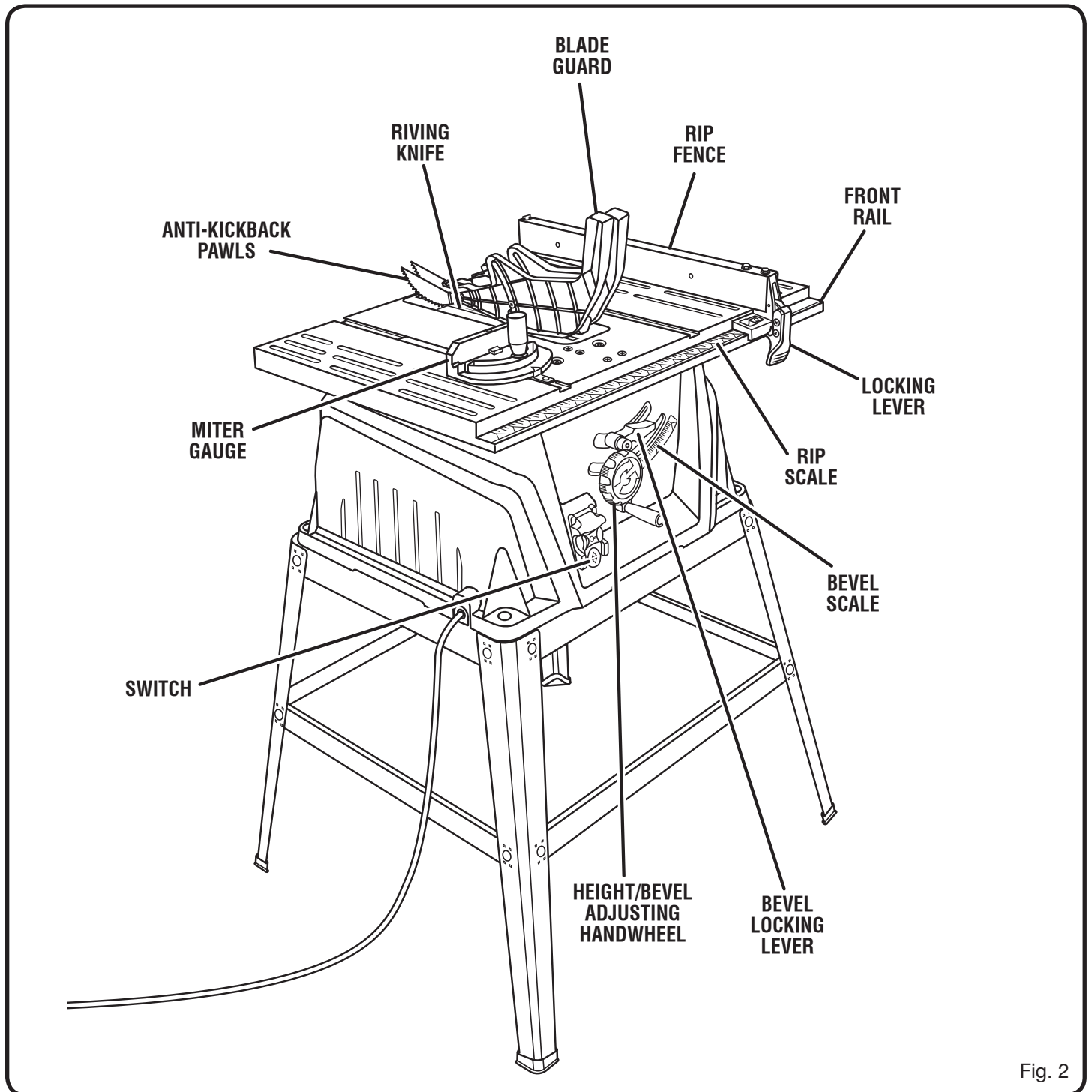


Fig. 2

FEATURES

KNOW YOUR TABLE SAW

See Figure 2.

The safe use of this product requires an understanding of the information on the tool and in this operator's manual as well as a knowledge of the project you are attempting. Before use of this product, familiarize yourself with all operating features and safety rules.

ANTI-KICKBACK PAWLS - Kickback is a hazard in which the workpiece is thrown back toward the operator. The teeth on the removable anti-kickback pawls point away from the workpiece. If the workpiece should be pulled back toward the operator, the teeth dig into the wood to help prevent or reduce the possibility of kickback.

BEVEL SCALE - The easy-to-read scale on the front of the cabinet shows the exact blade angle.

BLADE - For maximum performance, it is recommended that you use the 10 in. carbide tipped combination blade provided with your saw. The blade is raised and lowered with the height/bevel adjusting handwheel. Bevel angles are locked with the bevel locking lever. Additional blade styles of the same high quality are available for specific operations such as ripping. Your local dealer can provide you with complete information.

Blade kerf width must be within the limits stamped on the riving knife.

WARNING:

Do not use blades rated less than the speed of this tool. Failure to heed this warning could result in personal injury.

BLADE GUARD - Always keep the removable blade guard down over the saw blade for through-sawing cuts.

BEVEL LOCKING LEVER - This lever, placed just under the saw table surface on the front of the cabinet, locks the angle setting of the blade.

HEIGHT/BEVEL ADJUSTING HANDWHEEL - Located on the front of the cabinet, use this handwheel to lower and raise the blade for height adjustments or blade replacement. This handwheel also makes the adjustment for bevel angles easy.

MITER GAUGE - The miter gauge aligns the wood for a cross cut. The easy-to-read indicator shows the exact angle for a miter cut.

MITER GAUGE GROOVES - The miter gauge rides in the grooves on the saw table.

RIP FENCE - A sturdy metal fence guides the workpiece and is secured with the locking lever.

RIP SCALE - Located on the front rail, the easy-to-read rip scale provides precise measurements for rip cuts.

RIVING KNIFE - A removable metal piece of the blade guard assembly, slightly thinner than the saw blade, which helps keep the kerf open and prevent kickback. When in the through sawing, or "up" position, it is higher than the saw blade. When in the non-through sawing, or "down" position, it is below the saw blade teeth.

SWITCH ASSEMBLY - This saw has an easy access switch assembly located below the front rail. To lock the switch in the **OFF** position, remove the switch key from the switch. Place the key in a location that is inaccessible to children and others not qualified to use the tool.

FEATURES

OPERATING COMPONENTS

The upper portion of the blade projects up through the table and is surrounded by an insert called the throat plate. The height of the blade is set with a handwheel on the front of the cabinet. To accommodate wide panels, the saw table has rails on each side. Detailed instructions are provided in the *Operation* section of this manual for the basic cuts: cross cuts, miter cuts, bevel cuts, and compound cuts.

The rip fence is used to position work for lengthwise cuts. A scale on the front rail shows the distance between the rip fence and the blade.

It is very important to use the blade guard assembly for all through-sawing operations. The blade guard assembly includes: riving knife, anti-kickback pawls, and blade guard.

SWITCH ASSEMBLY

See Figure 3.

This saw is equipped with a switch assembly that has a built-in locking feature. This feature is intended to prevent unauthorized and possible hazardous use by children and others.

TO TURN YOUR SAW ON:

- With the switch key inserted into the switch, lift the switch to turn **ON (I)**.

TO TURN YOUR SAW OFF:

- Press the switch down to turn **OFF (O)**.

TO LOCK YOUR SAW:

- Press the switch down.
- Remove the switch key from the switch and store in a safe, secure location.

⚠ WARNING:

Always remove the switch key when the tool is not in use and keep it in a safe place. In the event of a power failure, turn the switch **OFF (O)** and remove the key. This action will prevent the tool from accidentally starting when power returns.

⚠ WARNING:

ALWAYS make sure your workpiece is not in contact with the blade before operating the switch to start the tool. Failure to heed this warning may cause the workpiece to be kicked back toward the operator and result in serious personal injury.

⚠ WARNING:

To reduce the risk of accidental starting, **ALWAYS** make sure the switch is in the **OFF (O)** position before plugging tool into the power source.

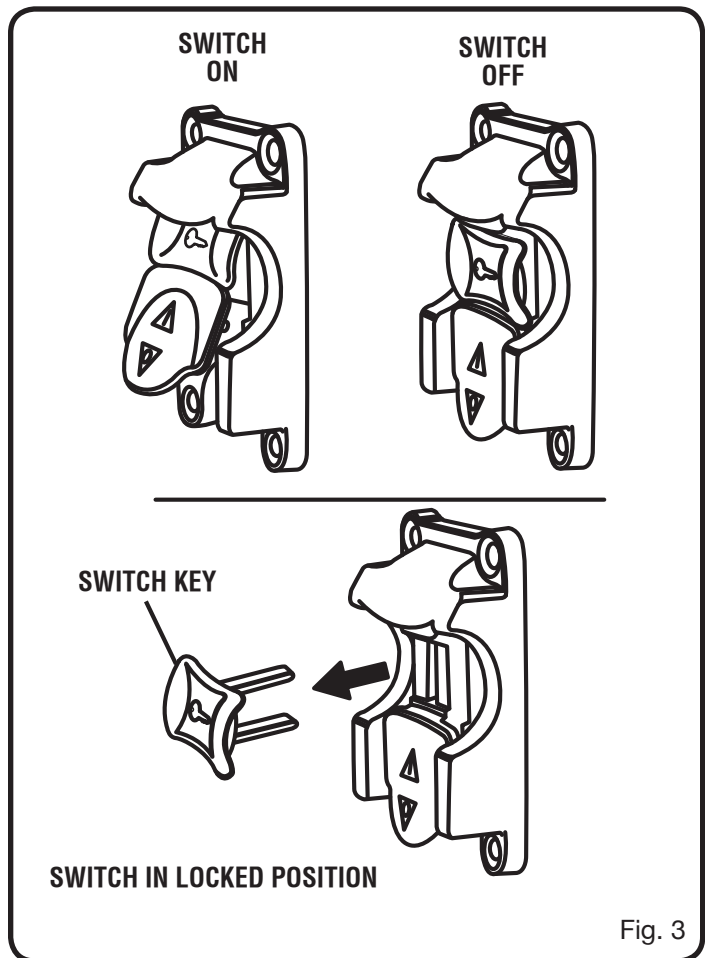


Fig. 3

TOOLS NEEDED

The following tools (not included or drawn to scale) are needed for assembly and making adjustments:

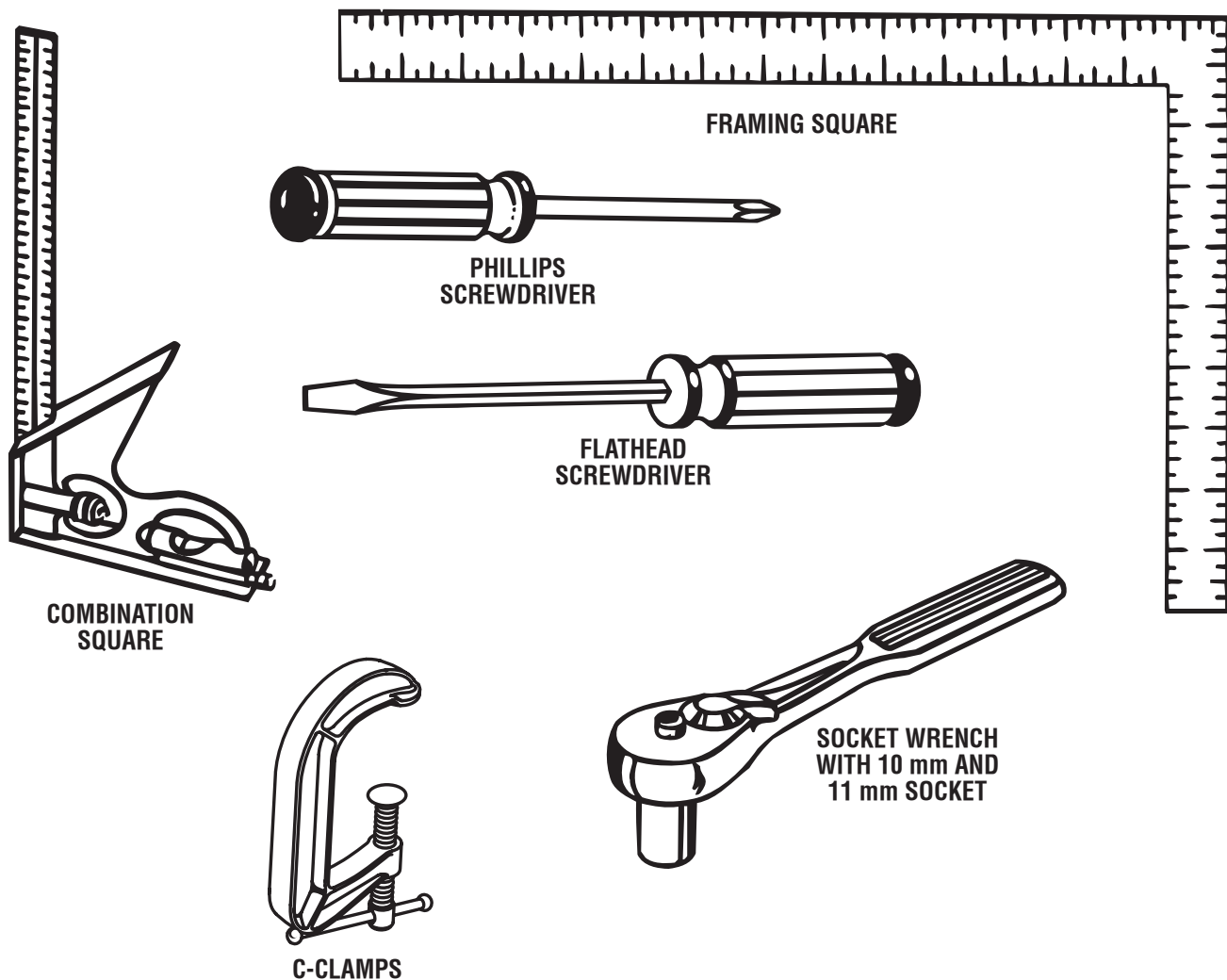


Fig. 4

LOOSE PARTS

The following items are included with the table saw:

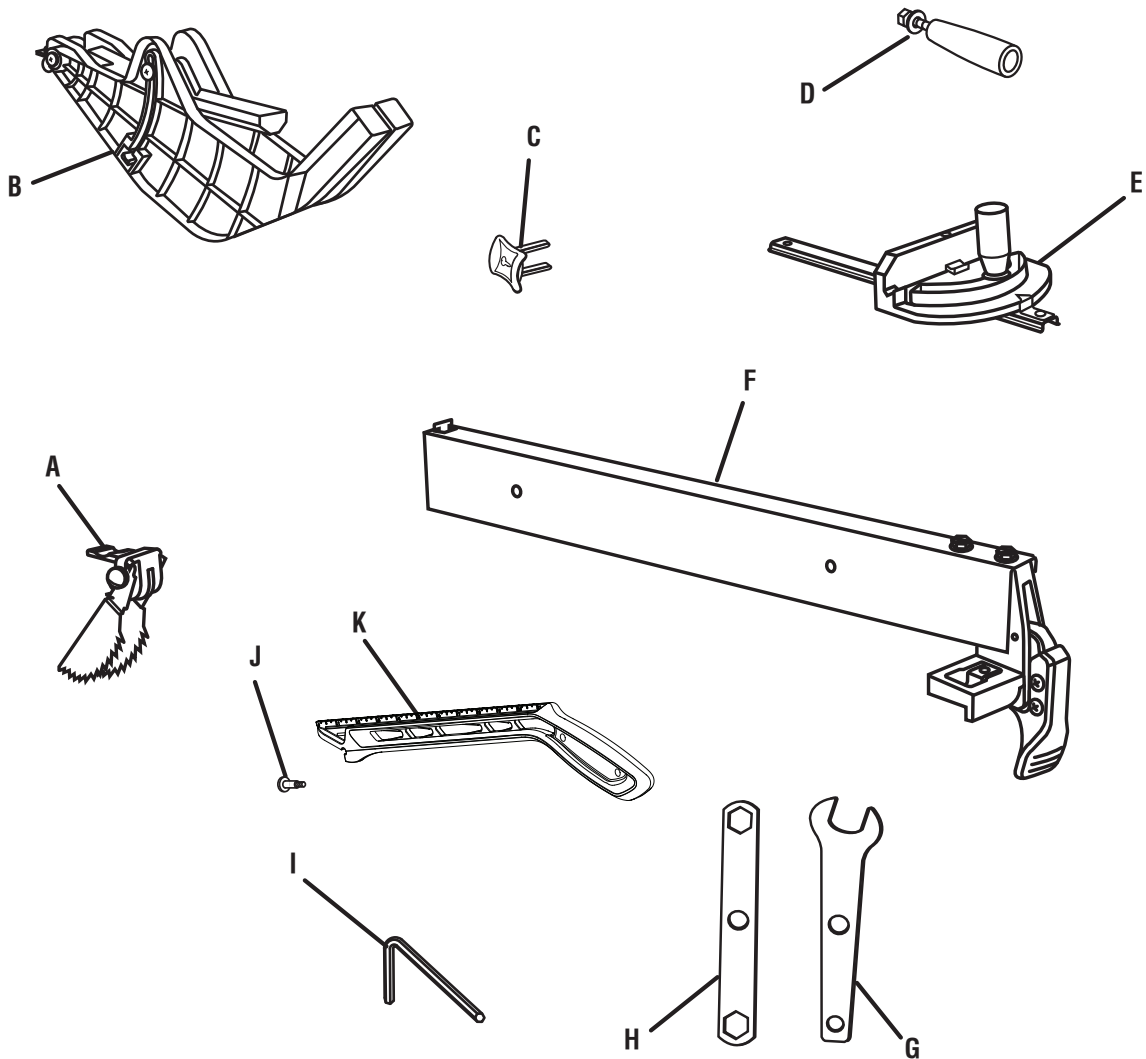


Fig. 5

| | | | |
|-----------------------------|---|----------------------------------|---|
| A. Anti-Kickback Pawls..... | 1 | G. Open End Wrench..... | 1 |
| B. Blade Guard..... | 1 | H. Closed End Wrench..... | 1 |
| C. Switch Key..... | 1 | I. Hex Key (5 mm)..... | 1 |
| D. Handle..... | 1 | J. Push Stick Storage Screw..... | 2 |
| E. Miter Gauge..... | 1 | K. Push Stick..... | 1 |
| F. Rip Fence..... | 1 | | |

LOOSE PARTS

The following items are included with the table saw leg stand:

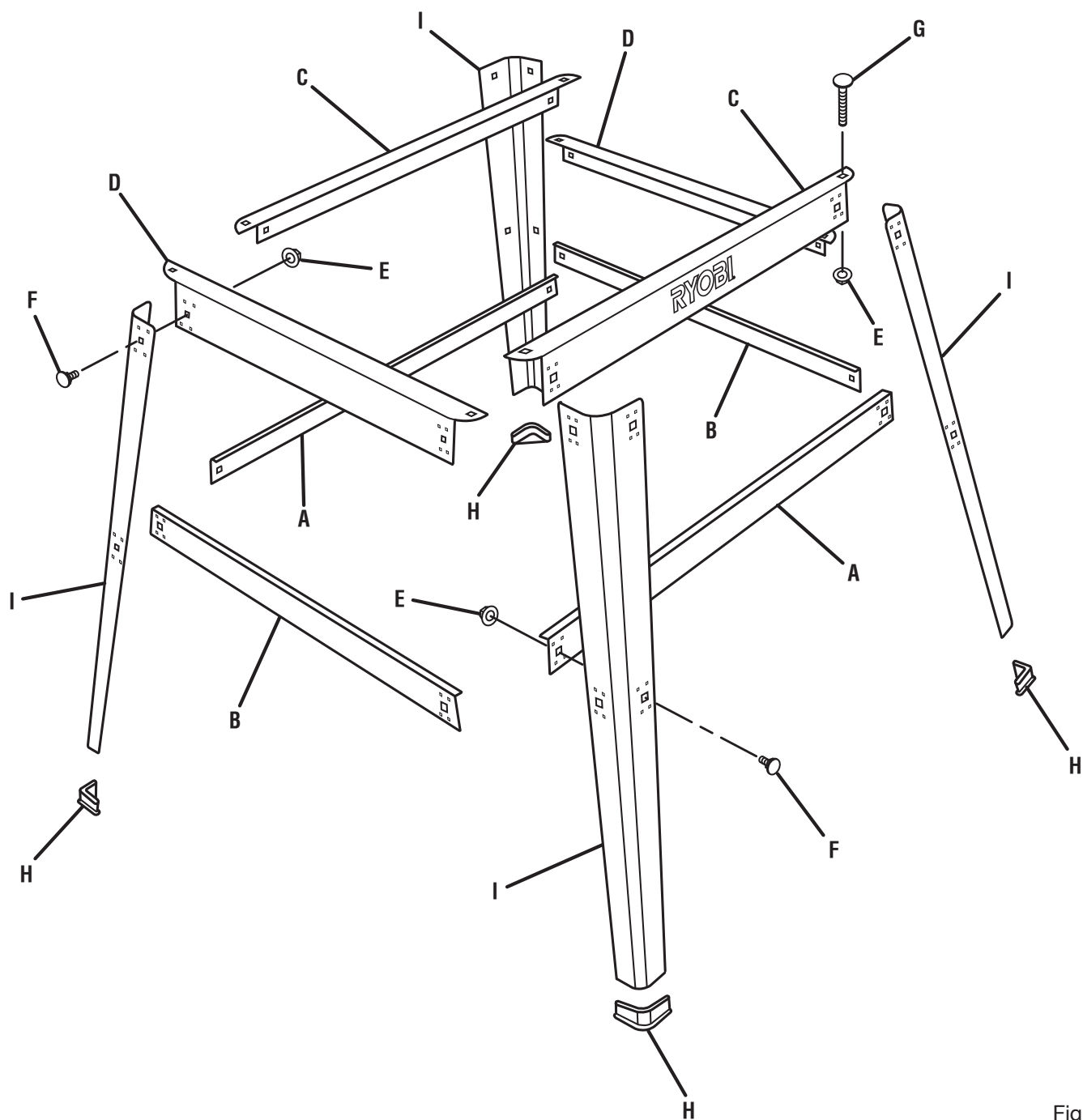


Fig. 6

| | | | |
|--------------------------|----|---|----|
| A. Lower Brace..... | 2 | F. Carriage Bolt (1/4 - 20 x 1/2 in.)..... | 16 |
| B. Lower Side Brace..... | 2 | G. Carriage Bolt (1/4 - 20 x 1-3/8 in.) | 4 |
| C. Upper Brace..... | 2 | H Foot..... | 4 |
| D. Upper Side Brace..... | 2 | I. Leg | 4 |
| E. Hex Nut | 20 | | |

ASSEMBLY

UNPACKING

This product requires assembly.

- Carefully lift the saw from the carton and place on a level work surface.

NOTE: This tool is heavy. To avoid back injury, keep your knees bent and lift with your legs, not your back, and get help when needed.

WARNING:

Do not use this product if any parts on the Loose Parts List are already assembled to your product when you unpack it. Parts on this list are not assembled to the product by the manufacturer and require customer installation. Use of a product that may have been improperly assembled could result in serious personal injury.

- Inspect the tool carefully to make sure no breakage or damage occurred during shipping.
- Do not discard the packing material until you have carefully inspected the tool, identified all loose parts, and satisfactorily operated the tool.

NOTE: Remove the foam block from between the saw's housing and the motor by first beveling the blade (see page 26).

- The saw is factory set for accurate cutting. After assembling it, check for accuracy. If shipping has influenced the settings, refer to specific procedures explained in this manual.
- If any parts are damaged or missing, please call 1-800-525-2579 for assistance.

WARNING:

If any parts are damaged or missing, do not operate this tool until the parts are replaced. Use of this product with damaged or missing parts could result in serious personal injury.

WARNING:

Do not attempt to modify this tool or create accessories not recommended for use with this tool. Any such alteration or modification is misuse and could result in a hazardous condition leading to possible serious personal injury.

WARNING:

Do not connect to power supply until assembly is complete. Failure to comply could result in accidental starting and possible serious personal injury.

WARNING:

Do not lift the saw without help. Hold it close to your body. Keep your knees bent and lift with your legs, not your back. Ignoring these precautions can result in back injury.

WARNING:

Never stand directly in line with the blade or allow hands to come closer than 3 in. to the blade. Do not reach over or across the blade. Failure to heed this warning can result in serious personal injury.

WARNING:

To avoid serious personal injury, always make sure the table saw is securely mounted to a workbench or an approved leg stand. NEVER operate the saw on the floor.

MOUNTING HOLES

The table saw must be mounted to a firm supporting surface such as a workbench or leg stand. Four bolt holes have been provided in the saw's base for this purpose.

To mount the saw to a work bench, use bolts that are of sufficient length to accommodate the saw base, lock washers, hex nuts, and the thickness of the workbench or other mounting surface. Tighten all bolts or screws securely. Carefully check the workbench after mounting to make sure that no movement can occur during use. If any tipping, sliding, or walking is noted, secure the workbench to the floor before operating.

To mount the saw to the leg stand, refer to specific procedures explained later in this section.

ASSEMBLY

TO ASSEMBLE THE LEG STAND

See Figure 7.

Assembly is best done in the area where the saw will be used. If you are unsure about the description of any part, refer to the drawing. If any parts are missing, delay assembling until you have obtained the missing part(s).

- Take the following from a small hardware pack:
 - 16 bolts (1/4 - 20 x 1/2 in.)
 - 16 hex nuts (1/4 - 20)
- Take 4 legs and 8 braces from loose parts.
- Place an upper brace inside two of the legs, with the legs wide end up. (Upper braces have two large holes in each end.) Make sure the dimples on the leg align with the small holes on the brace.
- Align the large holes on the brace and the legs. Insert the bolts. Add hex nuts and hand tighten. Repeat for the other upper brace. These are the front and back sets.
- For the side sets, install an upper side brace on two legs. Add hardware and finger tighten.
- Use the same steps to install the lower braces. Tighten all hex nuts securely with the socket wrench.
- Install a foot to the bottom of each leg.
- Move the leg set to desired location.

MOUNTING THE TABLE SAW BASE ON THE LEG STAND

See Figure 8.

- Take the following from a small hardware pack:
 - 4 carriage bolts (1/4-20 x 1-3/8 in.)
 - 4 hex nuts (1/4-20)
- **NOTE:** This hardware was in the pack with hardware for assembling the leg stand and leveling feet.
- Place the table saw base on the leg stand. Align the holes in the table with the holes in the end braces.
- Place a bolt in each hole. Secure with a hex nut. Hand tighten.
- Repeat for three remaining holes. Tighten all hardware securely with the socket wrench.

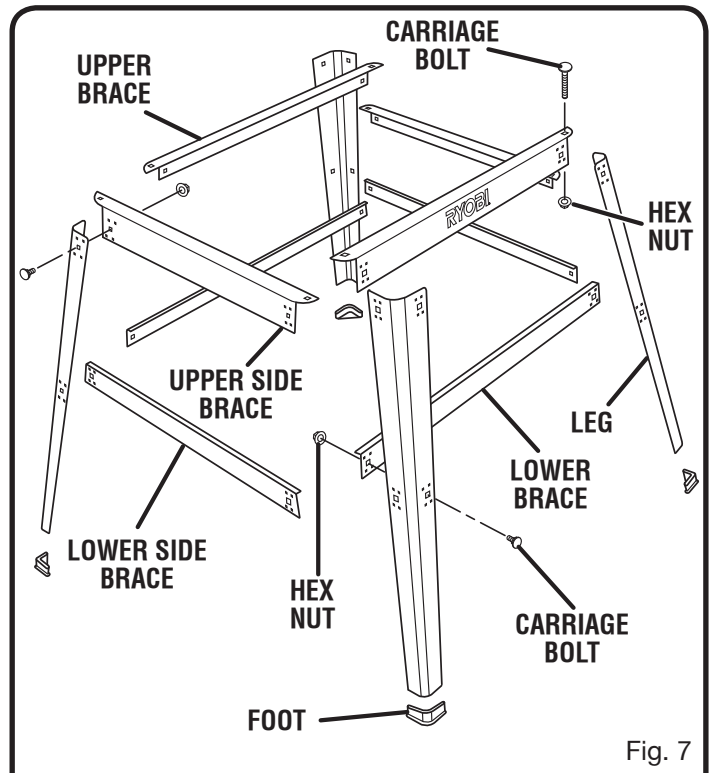


Fig. 7

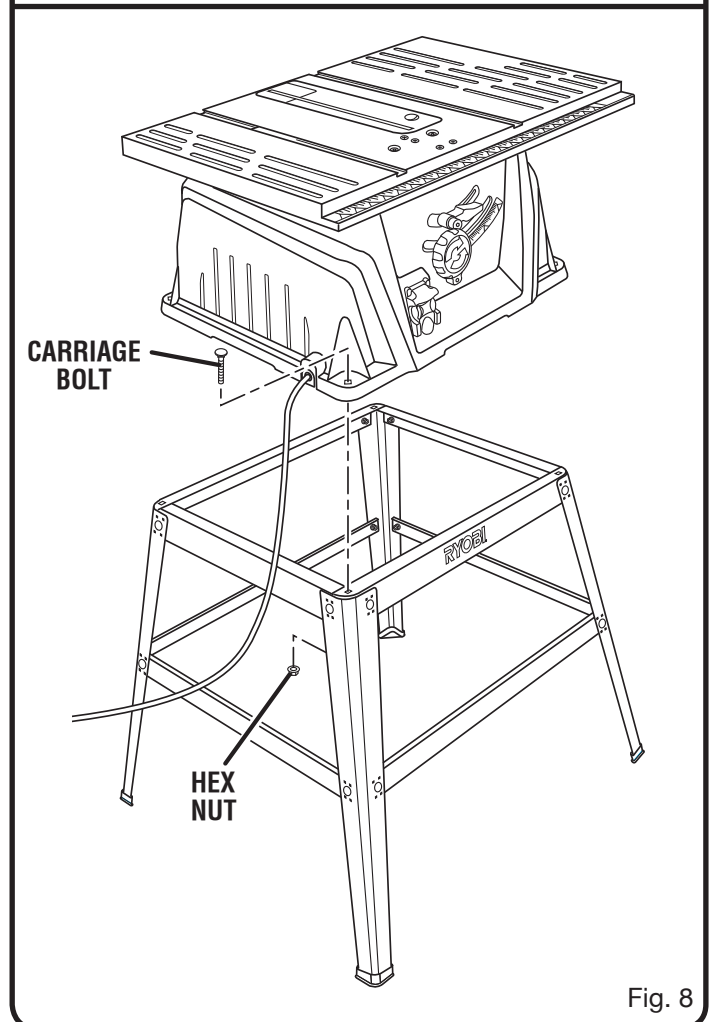


Fig. 8

ASSEMBLY

TO INSTALL THE HANDLE

See Figure 9.

- Hold the nylon nut securely and turn the screw counterclockwise to remove the nut completely.
NOTE: Do not remove the screw from the handle.
- Place the nylon nut into the recessed hole on the back of the height/bevel adjusting handwheel and hold in place.
- Slide the handle, screw, and washer into the hole on the height/bevel adjusting handwheel.
- Using a flathead screwdriver, turn the screw clockwise and tighten in place.

TO REMOVE/REPLACE THE THROAT PLATE

See Figure 10.

- Lower the blade by turning the height/bevel adjusting handwheel counterclockwise.
- To remove the throat plate, place your index finger in the hole and lift the front end pulling the throat plate out toward the front of the saw.
- To reinstall the throat plate, slip the tab into the slot at the back of the saw and push down to secure in place.

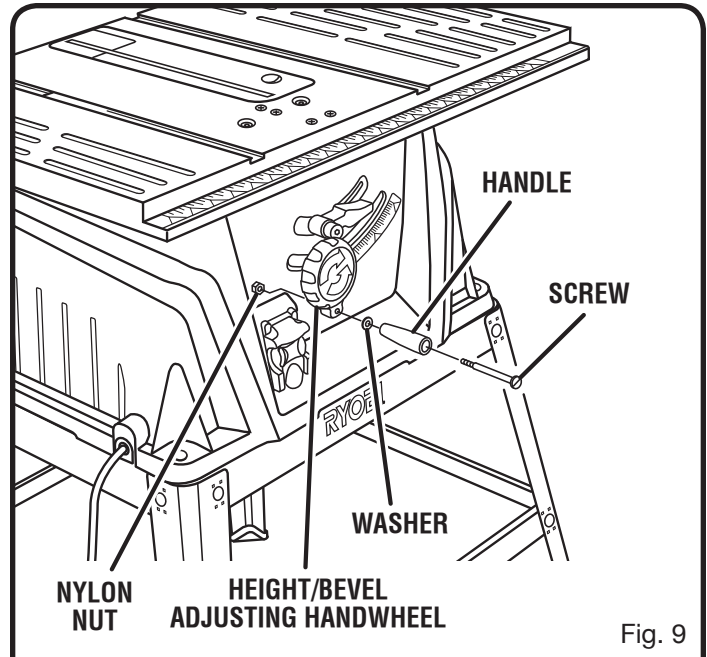


Fig. 9

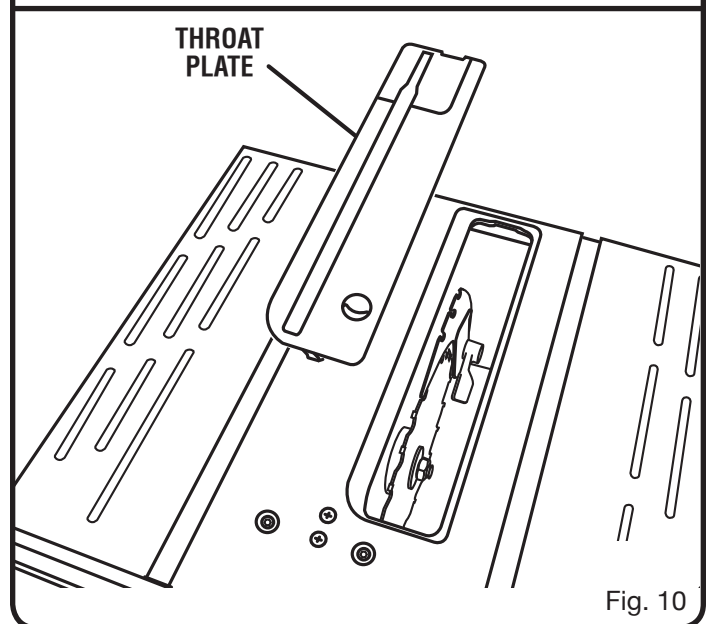


Fig. 10

ASSEMBLY

TO CHANGE RIVING KNIFE POSITIONS

See Figure 11.

This saw is shipped with a riving knife that should be placed in the “down” position for non-through cutting and must be placed in the “up” position for all other cutting operations.

- Unplug the saw.

To place in the “up” position for all through cutting:

- Remove the throat plate.
- Raise the saw blade by turning the height/bevel adjusting handwheel clockwise.
- Unlock the release lever by pulling it up.
- Grasp the riving knife and pull it towards the right side of the saw to release the riving knife from the spring-loaded riving clamp.
- Pull the riving knife up until the internal pins are engaged and the riving knife is above the saw blade.
- Lock the release lever by pushing the lever down.

- Reinstall the throat plate.

To place in riving knife “down” position for all non-through cutting:

- Remove the throat plate.
- Raise the saw blade by turning the height/bevel adjusting handwheel clockwise.
- Unlock the release lever by pulling it up.
- Grasp the riving knife and pull it towards the right side of the saw to release the riving knife from the spring-loaded riving clamp.
- Push the riving knife down until it is below the saw blade.
- Pull the riving knife up until the internal pins are engaged and the riving knife is above the saw blade.
- Lock the release lever by pushing the lever down.
- Reinstall the throat plate.

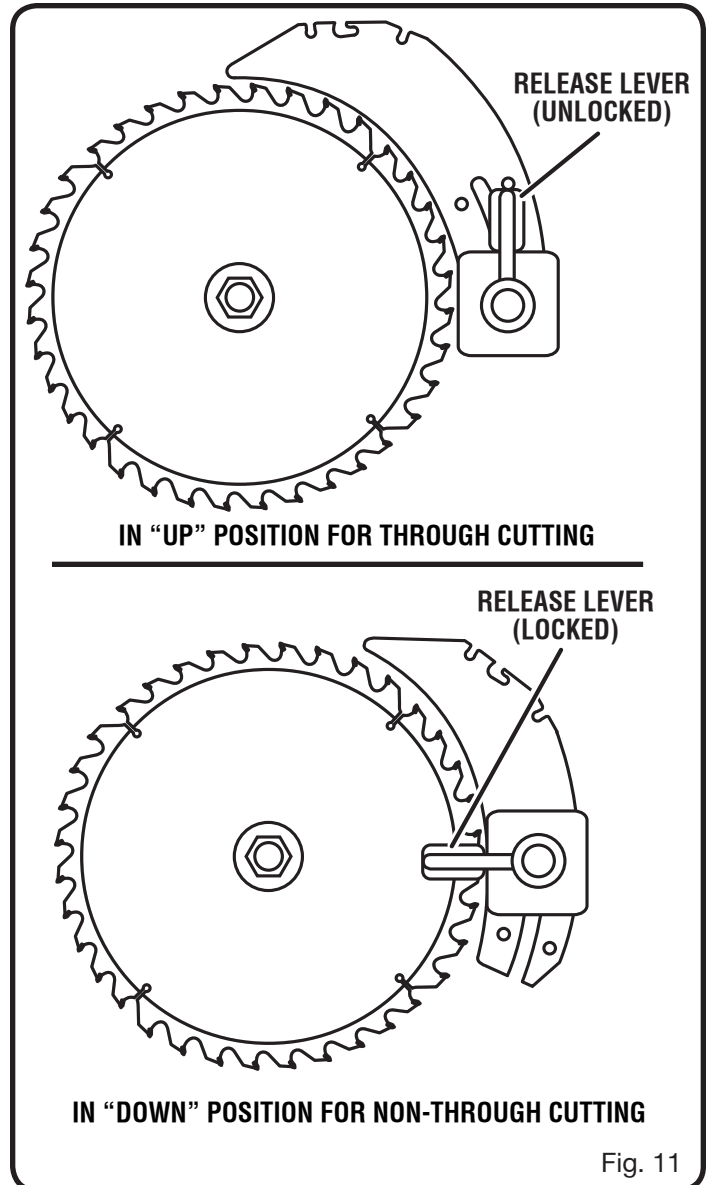


Fig. 11

ASSEMBLY

TO CHECK SAW BLADE INSTALLATION

See Figure 12.

NOTICE:

To work properly, the saw blade teeth must point down toward the front of the saw. Failure to heed this warning could cause damage to the saw blade, the saw, or the workpiece.

- Unplug the saw.
- Lower the saw blade and remove the throat plate.
- Make sure the bevel locking lever is securely pushed to the right. Raise the saw blade to its full height by turning the height/bevel adjusting handwheel clockwise.
- Place riving knife in “up” position.

To loosen the blade:

- Using the open end blade wrench, place the flat open end on the flats on the arbor shaft.
- Insert the closed end blade wrench over the blade nut. Holding both wrenches firmly, pull the closed end wrench forward to the front of the machine.

To tighten the blade:

- Using the open end blade wrench, place the flat open end into the flats on the arbor shaft.
- Insert the closed end blade wrench over the blade nut. Holding both wrenches firmly, push the closed end wrench to the back of the machine. Make sure the blade nut is securely tightened. Do not overtighten.
- Reinstall the throat plate.
- Check all clearances for free blade rotation.

TO INSTALL THE BLADE GUARD AND ANTI-KICKBACK PAWLS

See Figures 13 - 15.

WARNING:

Always install the blade guard and anti-kickback pawls onto the riving knife in the “up” position to provide proper blade coverage. Installing the guarding components onto the riving knife in any other position will prevent them from working as designed, which could increase the risk of serious personal injury.

WARNING:

Replace dull or damaged anti-kickback pawls. Dull or damaged pawls may not stop a kickback increasing the risk of serious personal injury.

Anti-kickback pawls should only be installed for through cuts.

- Unplug the saw.
- Raise the saw blade by turning the height/bevel adjusting handwheel clockwise.
- Place riving knife in “up” position.
- Reinstall the throat plate.

To install blade guard:

- Lift the guard lever up to unlock.
- With the front of the blade guard raised, lower the back of the guard into the middle hole of the riving knife. Push the front of the guard down until it is **parallel to the table** (see figure 15). If the blade guard is not parallel to the table, the riving knife is not in the “up” position.
- Lock the guard in place by pushing the guard lever down.

NOTE: Blade alignment can be adjusted for different blade widths. Refer to: **To Check and Align the Riving Knife and Saw Blade.** Check the blade guard assembly for clearances and free movement.

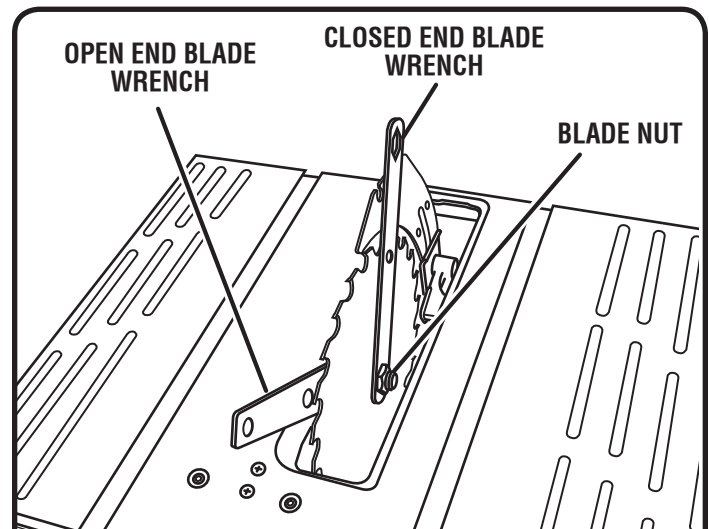


Fig. 12

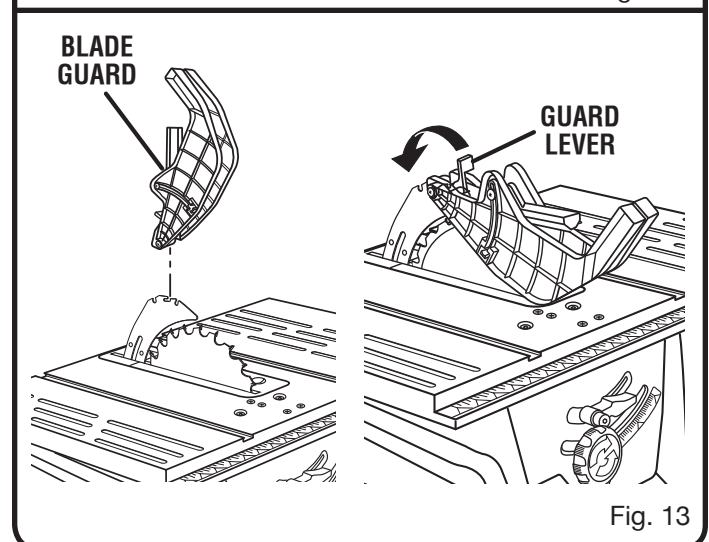


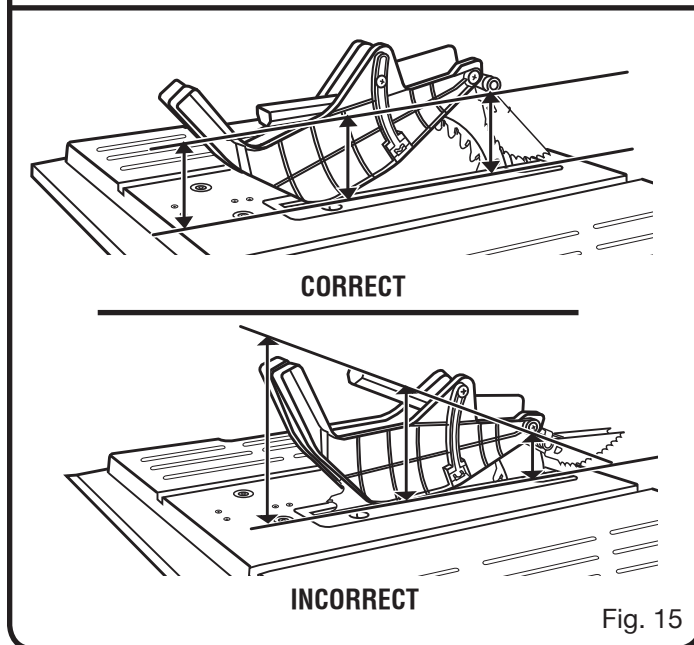
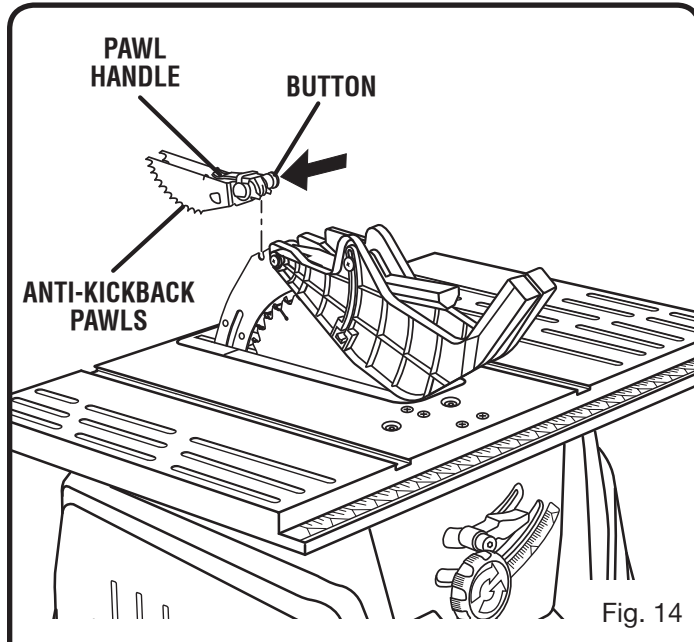
Fig. 13

ASSEMBLY

To install anti-kickback pawls:

- Press and hold the button on the right side of the anti-kickback pawls.
- Align the slot in the pawls over the rear hole in the riving knife.
- Push the pawl handle down snapping them into place and release the button.

NOTE: Pull on the pawl handle to make sure pawls are securely locked.



TO CHECK AND ALIGN THE RIVING KNIFE AND SAW BLADE

See Figures 16 - 17.

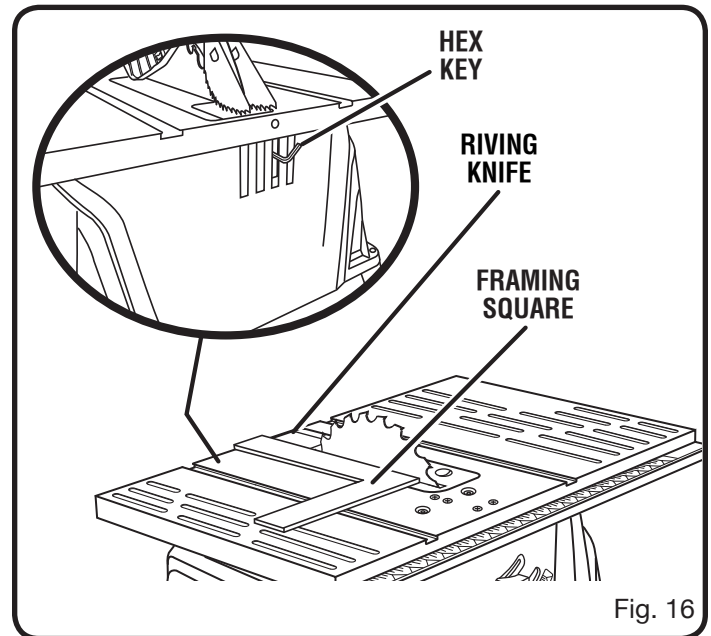
To check alignment of the riving knife:

- Unplug the saw.
- Raise the saw blade by turning the height/bevel adjusting handwheel clockwise.
- Remove the anti-kickback pawls and blade guard assembly. Place a framing square or straight edge against both the saw blade and the riving knife.

NOTE: Place framing square between carbide teeth and measure from blade. This step will insure framing square is square against blade from the front to back of blade.

- The saw blade and riving knife are aligned when the framing square contacts both the blade and riving knife evenly with no gaps.

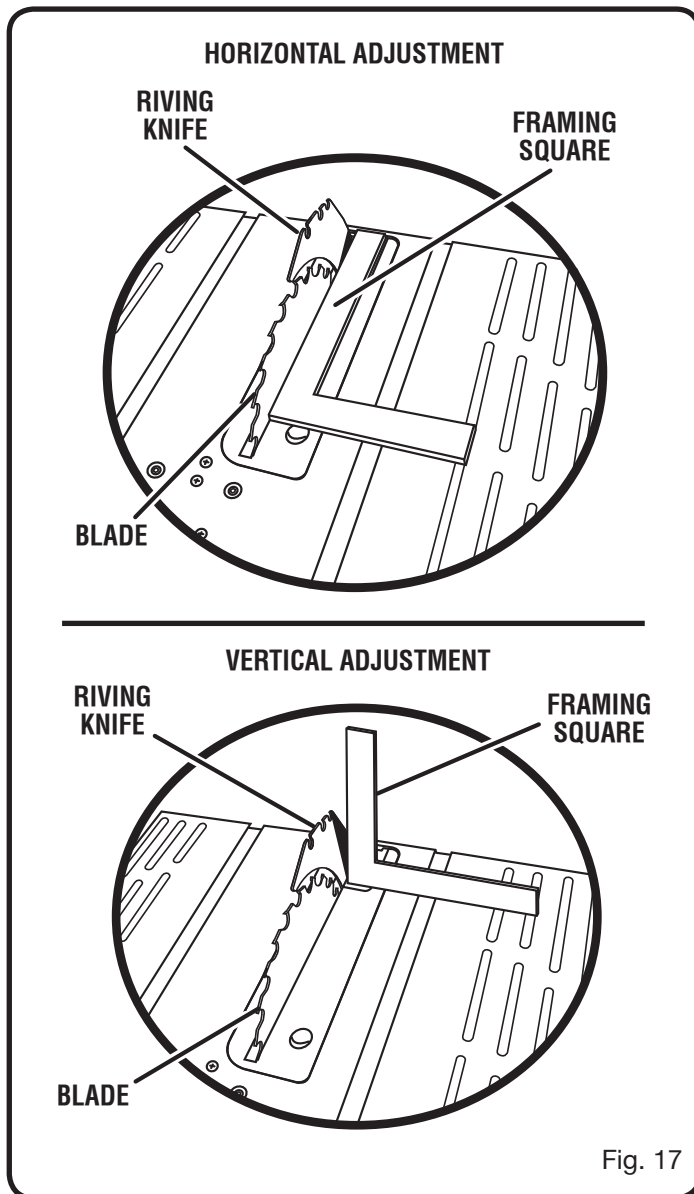
If the riving knife is out of alignment with the saw blade, adjustment is needed. The riving knife must be in alignment front to back (horizontally) and top to bottom (vertically).



ASSEMBLY

To adjust (horizontally and vertically):

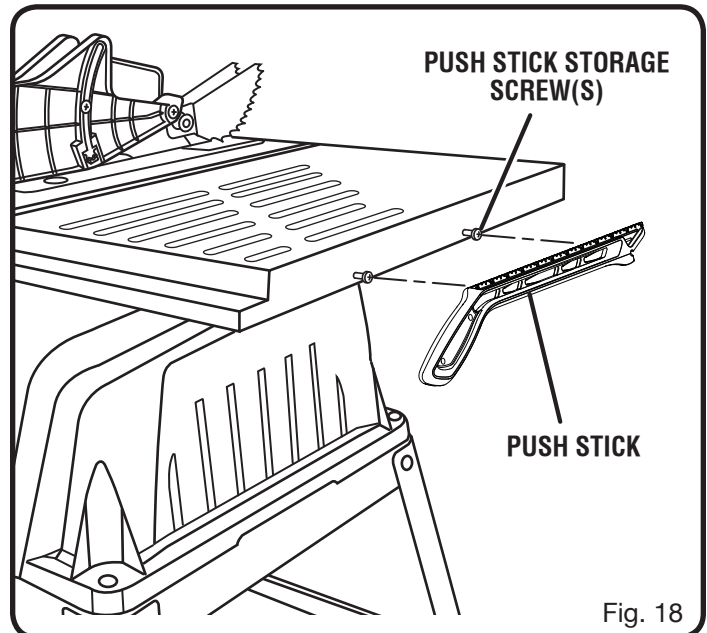
- Remove the anti-kickback pawls and blade guard assembly.
- From the back of the saw, loosen the screws holding the mounting bracket.
- Reposition the riving knife left or right as needed to align the riving knife with the saw blade.
- Once properly aligned, securely retighten all screws.
- Check again for squareness and continue to adjust if needed.



PUSH STICK STORAGE

See Figure 18.

- Insert the push stick storage screws from the loose parts bag into the holes on the side of the saw table. Use a Phillips head screwdriver to tighten screws securely.
- Place the slots in the push stick over the screws and slide the push stick toward the back of the saw.



OPERATION

WARNING:

Do not allow familiarity with tools to make you careless. Remember that a careless fraction of a second is sufficient to inflict serious injury.

WARNING:

Always wear eye protection with side shields marked to comply with ANSI Z87.1. Failure to do so could result in objects being thrown into your eyes, resulting in possible serious injury.

WARNING:

Do not use any attachments or accessories not recommended by the manufacturer of this tool. The use of attachments or accessories not recommended can result in serious personal injury.

WARNING:

Although many of the illustrations in this manual are shown with the blade guard removed for clarity, do not operate the saw without the blade guard unless specifically instructed to do so.

APPLICATIONS

You may use this tool for the purposes listed below:

- Straight line cutting operations such as cross cutting, ripping, mitering, beveling, and compound cutting
- Cabinet making and woodworking

NOTE: This table saw is designed to cut wood and wood composition products only.

BASIC OPERATION OF THE TABLE SAW

The 3-prong plug must be plugged into a matching outlet that is properly installed and grounded according to all local codes and ordinances. Improper connection of the equipment can result in electric shock. Do not modify the plug if it will not fit the outlet. Have the correct outlet installed by a qualified electrician. Refer to the *Electrical* section in this manual.

CAUSES OF KICKBACK

Kickback can occur when the blade stalls or binds, kicking the workpiece back toward you with great force and speed. If your hands are near the saw blade, they may be jerked loose from the workpiece and may contact the blade. Obviously, kickback can cause serious injury, and it is well worth using precautions to avoid the risks.

Kickback can be caused by any action that pinches the blade in the wood such as:

- Making a cut with incorrect blade depth
- Sawing into knots or nails in the workpiece
- Twisting the wood while making a cut
- Failing to support work
- Forcing a cut
- Cutting warped or wet lumber
- Using the wrong blade for the type of cut
- Not following correct operating procedures
- Misusing the saw
- Failing to use the anti-kickback pawls
- Cutting with a dull, gummed-up, or improperly set blade

AVOIDING KICKBACK

- Always use the correct blade depth setting. The top of the blade teeth should clear the workpiece by 1/8 in. to 1/4 in.
- Inspect the work for knots or nails before beginning a cut. Knock out any loose knots with a hammer. Never saw into a loose knot or nail.
- Always use the rip fence when rip cutting. Use the miter gauge when cross cutting. This helps prevent twisting the wood in the cut.
- Always use clean, sharp, and properly-set blades. Never make cuts with dull blades.
- To avoid pinching the blade, support the work properly before beginning a cut.
- When making a cut, use steady, even pressure. Never force cuts.
- Do not cut wet or warped lumber.
- Use extra caution when cutting some prefinished or composition wood products as the anti-kickback pawls may not always be effective.
- Always guide your workpiece with both hands or with push sticks and/or push blocks. Keep your body in a balanced position to be ready to resist kickback should it occur. Never stand directly in line with the blade.
- Use of a featherboard will help hold the workpiece securely against the saw table or fence.
- Clean the saw, blade guard, under the throat plate, and any areas where saw dust or scrap workpieces may gather.
- Use the right type of blade for the cut being made.
- Always use the riving knife for every operation where it is allowed. The use of this device will greatly reduce the risk of kickback.

OPERATION

CUTTING AIDS

See Figure 19.

Push sticks are devices that may be used for pushing a workpiece through the blade in any rip cut. When making non-through cuts or ripping narrow stock, always use a push stick, push block, and/or featherboard so your hands do not come within 3 inches of the saw blade. They can be made in various sizes and shapes from scrap wood and used in a specific project. The stick must be narrower than the workpiece, with a 90° notch in one end and shaping for a grip on the other end.

A push block has a handle fastened by recessed screws from the underside. Use push blocks for narrow cuts and all non-through cuts.

CAUTION:

Be sure the screws in a push block are recessed to avoid damaging the saw or workpiece.

AUXILIARY FENCE

An auxiliary fence is a device used to close the gap between the rip fence and the saw table. Always make and use an auxiliary fence when ripping material 1/8 in. or thinner.

HOW TO MAKE AND ATTACH AN AUXILIARY FENCE (FOR RIP CUTTING THIN WORKPIECE)

See Figure 20.

Rip fence holes are used to secure an auxiliary fence which requires a piece of wood 3/4 in. thick, 3-1/2 in. wide, and 18-1/2 in. long to make.

To attach the auxiliary fence to the rip fence:

- Place the wood against the rip fence and resting firmly on the saw table.
- From the back side of the rip fence, secure the wood to the fence using 1-1/2 in. wood screws.

HOW TO MAKE A JIG (FOR RIP CUTTING NARROW WORKPIECE)

See Figure 21.

If ripping a narrow workpiece places the hands too close to the blade, it will be necessary to make and use a jig.

To make a jig:

- Attach a handle to a long, straight piece of wood and secure from the underside using recessed screws.
- Cut an L-shaped stop in the side of the jig.

To use a jig:

- Position the workpiece flat on the table with the edge flush against the jig and against the stop.
- Holding the jig handle and using a push block, make the rip cut as described on page 31 later in this section.

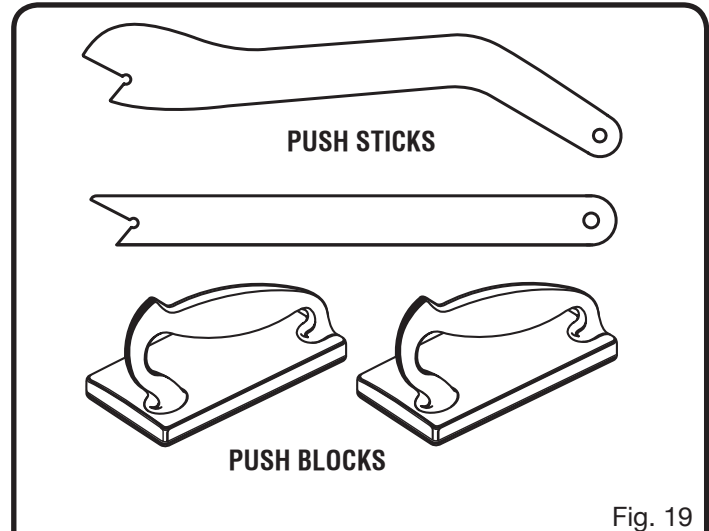


Fig. 19

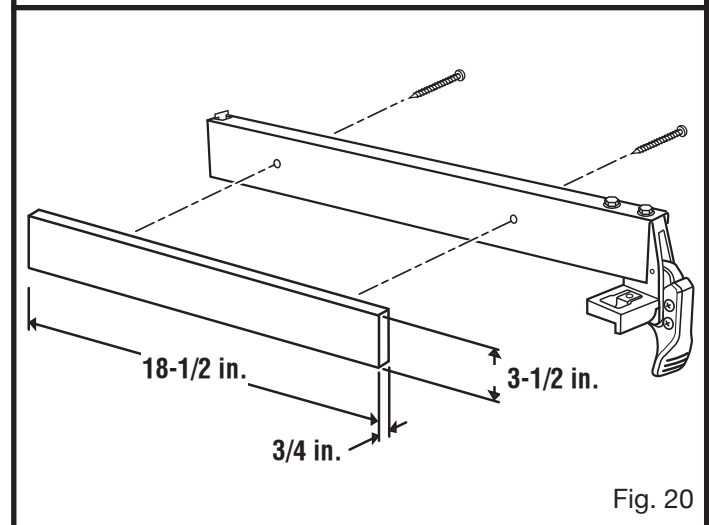


Fig. 20

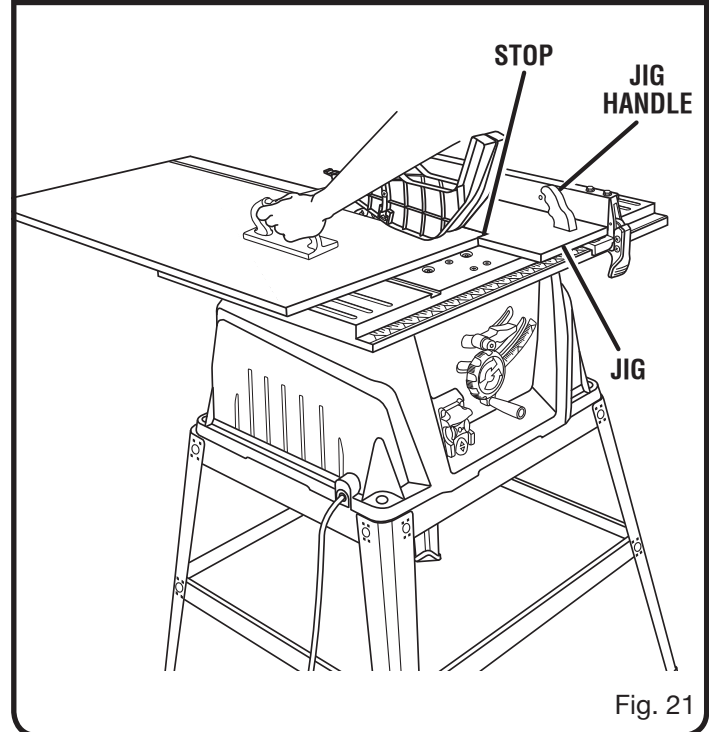


Fig. 21

OPERATION

FEATHERBOARD

A featherboard is a device used to help control the workpiece by holding it securely against the table or fence. Featherboards are especially useful when ripping small workpieces and for completing non-through cuts. The end is angled with a number of short kerfs to give a friction hold on the workpiece and locked in place on the table with a C-clamp. Test to ensure it can resist kickback.

⚠ WARNING:

Place the featherboard against the uncut portion of the workpiece to avoid kickback that could cause serious personal injury.

HOW TO MAKE A FEATHERBOARD

See Figure 22.

The featherboard is an excellent project for the saw. Select a solid piece of lumber approximately 3/4 in. thick, 2-1/2 in. wide and 12 in. long. Mark the center of the width on one end of the stock. Miter the width to 70° (see page 31 for information on miter cuts). Mark the board from the widest point at four inches.

Prepare the saw for ripping as discussed on page 31. Set the rip fence to allow approximately a 1/4 in. "finger" to be cut in the stock. Feed the stock only to the mark previously made at 4 in. Turn the saw **OFF** and allow the blade to completely stop rotating before removing the stock. Reset the rip fence and cut spaced rips into the workpiece to allow approximately 1/4 in. fingers and 1/8 in. spaces between the fingers.

HOW TO MOUNT A FEATHERBOARD

See Figure 23.

Completely lower the saw blade. Position the rip fence to the desired adjustment for the cut to be performed and lock.

Place the workpiece against the fence and over the saw blade area. Adjust the featherboard to apply resistance to the workpiece just forward of the blade. Securely tighten the adjusting clamp knob to secure the featherboard in place. Attach C-clamps to further secure the featherboard to the edge of the saw table.

⚠ WARNING:

Do not locate the featherboard to the rear of the workpiece. If positioned improperly, kickback can result from the featherboard pinching the workpiece and binding the blade in the saw kerf. Failure to heed this warning can result in serious personal injury.

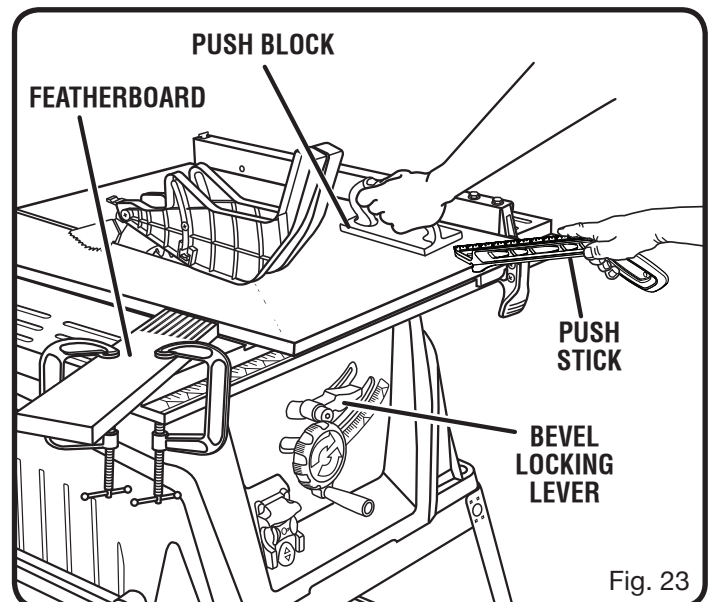


Fig. 23

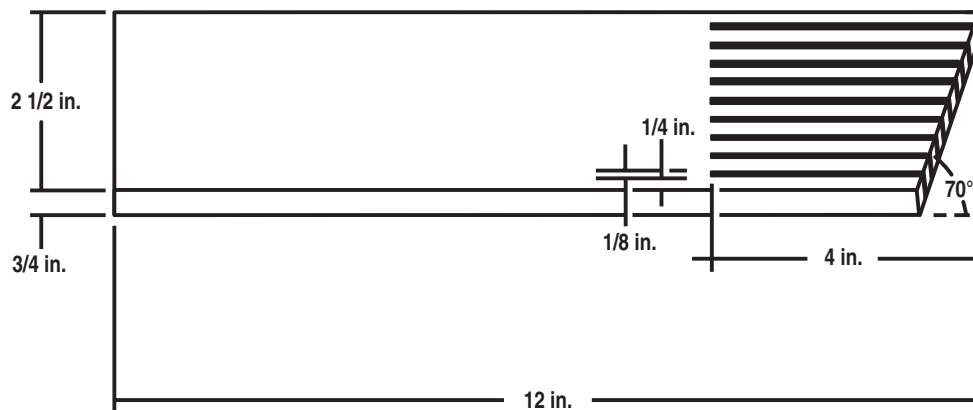


Fig. 22

OPERATION

TYPES OF CUTS

See Figure 24.

There are six basic cuts: 1) the cross cut, 2) the rip cut, 3) the miter cut, 4) the bevel cross cut, 5) the bevel rip cut, and 6) the compound (bevel) miter cut. All other cuts are combinations of these basic six. Operating procedures for making each kind of cut are given later in this section.

WARNING:

Always make sure the blade guard and anti-kickback pawls are in place and working properly when making these cuts to avoid possible injury.

Cross cuts are straight 90° cuts made across the grain of the workpiece. The wood is fed into the cut at a 90° angle to the blade, and the blade is vertical.

Rip cuts are made with the grain of the wood. To avoid kickback while making a rip cut, make sure one side of the wood rides firmly against the rip fence.

Miter cuts are made with the wood at any angle to the blade other than 90°. The blade is vertical. Miter cuts tend to “creep” during cutting. This can be controlled by holding the workpiece securely against the miter gauge.

WARNING:

Always use a push stick with small pieces of wood, and also to finish the cut when ripping a long narrow piece of wood, to prevent your hands from getting close to the blade.

Bevel cuts are made with an angled blade. Bevel cross cuts are across the wood grain, and bevel rip cuts are with the grain.

Compound (or bevel) miter cuts are made with an angled blade on wood that is angled to the blade. Be thoroughly familiar with making cross cuts, rip cuts, bevel cuts, and miter cuts before trying a compound miter cut.

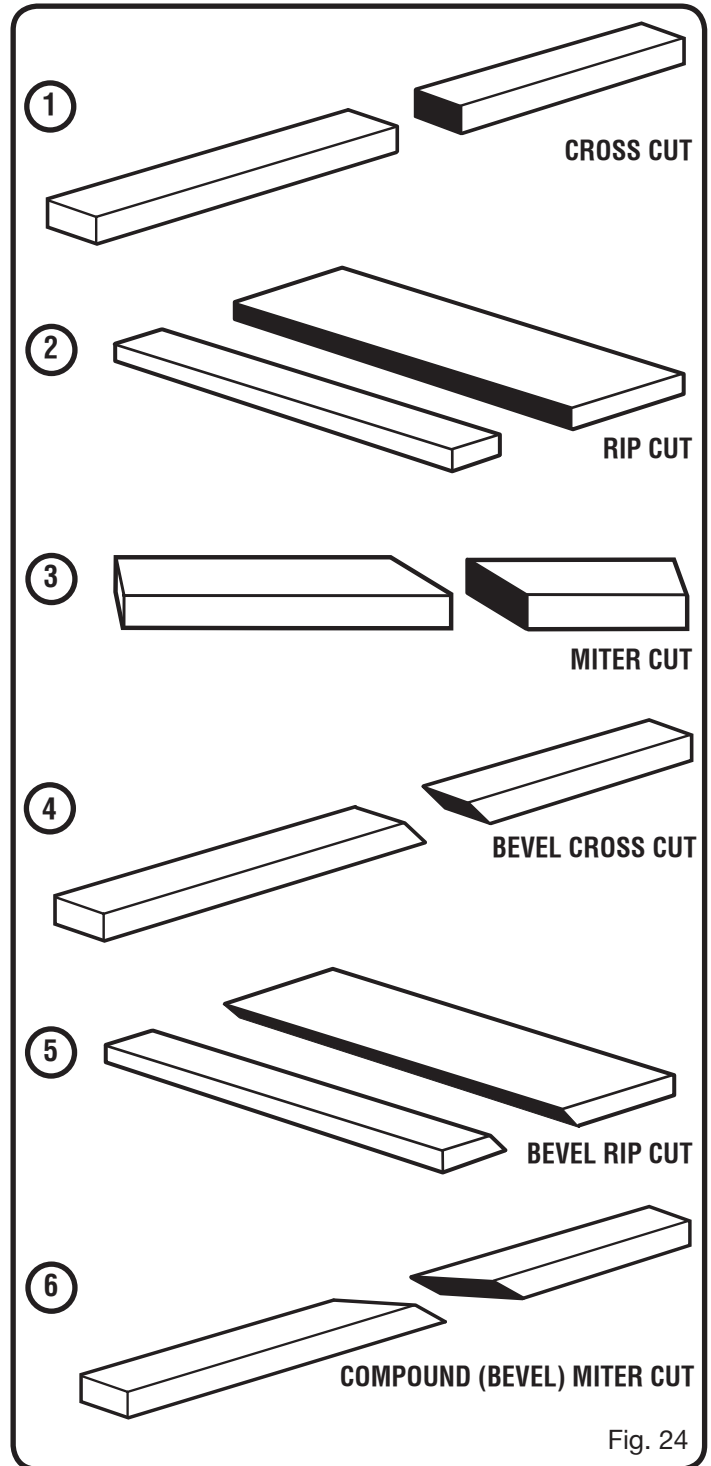
CUTTING TIPS

Rabbet cuts are non-through cuts which can be either rip cuts or cross cuts. Carefully read and understand all sections of this operator’s manual before attempting any operation.

WARNING:

Do not use blades rated less than the speed of this tool. Failure to heed this warning could result in personal injury.

- The kerf (the cut made by the blade in the wood) will be wider than the blade to avoid overheating or binding. Make allowance for the kerf when measuring wood.



- Make sure the kerf is made on the waste side of the measuring line.
- Cut the wood with the finish side up.
- Knock out any loose knots with a hammer before making the cut.
- Always provide proper support for the wood as it comes out of the saw.

OPERATION

TO CHANGE BLADE DEPTH

See Figure 25.

The blade depth should be set so that the outer points of the blade are higher than the workpiece by approximately 1/8 in. to 1/4 in. but the lowest points (gullets) are below the top surface.

- Turn the bevel lock lever to the right.
- Raise the blade by turning the height/bevel adjusting handwheel clockwise or lower it by turning the handwheel counterclockwise.

TO CHANGE BLADE ANGLE (BEVEL)

See Figure 26.

This table saw has a rack and pinion bevel control that allows you to make angled cuts from 90° to 45°.

NOTE: A 90° cut has a 0° bevel and a 45° cut has a 45° bevel.

- Unplug the saw.
- Loosen bevel control by turning bevel lock lever all the way to the left. If it needs to be further loosened, pull spring-loaded bevel lock lever out and rotate it back to the right. Release bevel locking lever and allow it to seat (lock) in its original position. Turn it to the left again until loose.
- Move the height adjusting handwheel to the right to bevel to 45° bevel angle.
- Tighten bevel control by turning bevel lock lever to the right. If it needs to be tightened more, pull the spring-loaded bevel lock lever out and rotate it to the left. Then release bevel lock lever and allow it to return to its original position. Rotate to the right again. Repeat this process until bevel lock lever is securely tightened.

TO ADJUST THE BEVEL INDICATOR

See Figure 27.

If the bevel indicator is not at zero when the saw blade is at 90°, adjust the indicator by loosening the screw and setting it at 0° on the bevel scale. Retighten the screw.

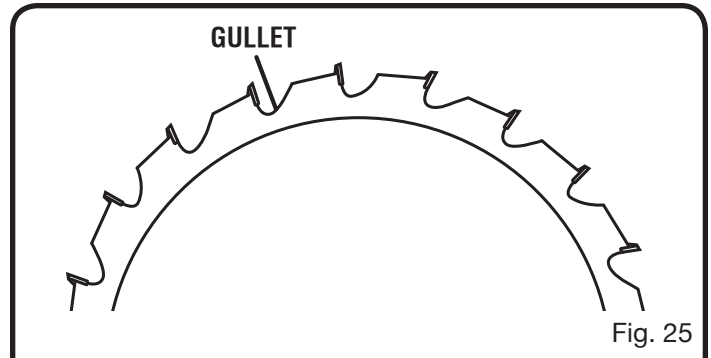


Fig. 25

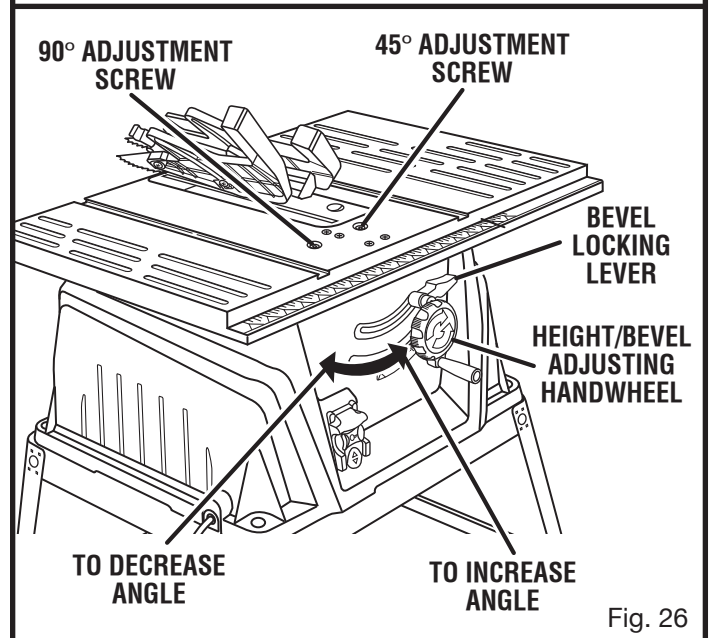


Fig. 26

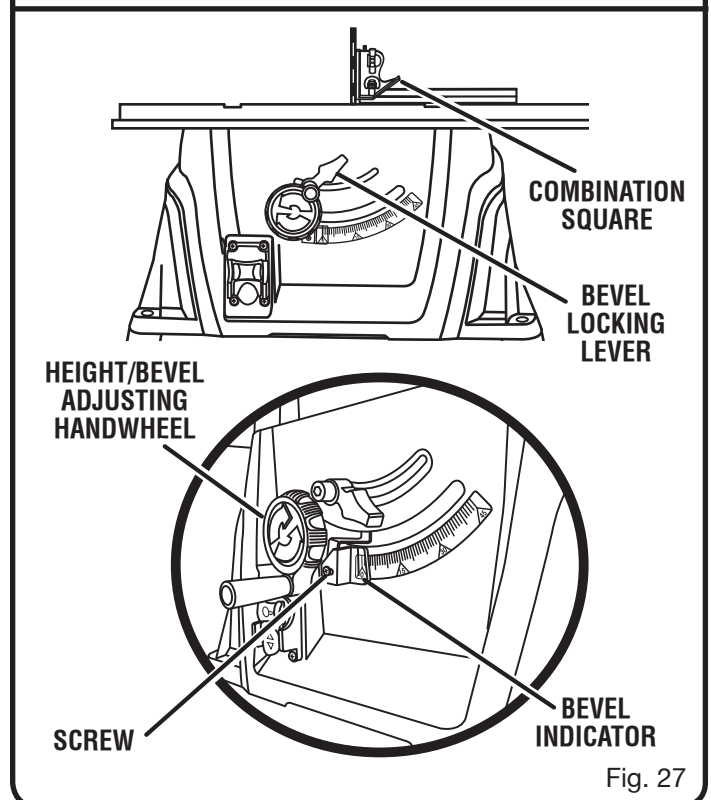


Fig. 27

OPERATION

WARNING:

To reduce the risk of injury, always make sure the rip fence is parallel to the blade before beginning any operation.

TO USE THE RIP FENCE

See Figure 28.

- Place the rear lip on the rear of the saw table and pull slightly toward the front of the unit.
- Lower the front end of the rip fence onto the guide surfaces on top of the front rail.
- With the rip fence flat on the saw table, push the fence towards the front rail to align the fence to the saw table.
- Push the locking lever down to align and secure the fence.

Check for a smooth gliding action. If adjustments are needed, see **To Check the Alignment of the Rip Fence to the Blade** in the *Adjustment* section of this manual.

- Make two or three test cuts on scrap wood. If the cuts are not true, repeat the process.

NOTE: The rip fence must be secure when the locking handle is engaged. To increase the grip of the rip fence on the rear lip of the table, tighten the clamp screw on the rear of the rip fence by turning it clockwise.

TO SET THE RIP FENCE SCALE INDICATOR TO THE BLADE

See Figure 28.

Use the indicator on the rip fence to position the fence along the scale on the front rail.

NOTE: The anti-kickback pawls and blade guard assembly must be removed to perform this adjustment. Reinstall the blade guard assembly when the adjustment is complete.

Begin with the blade at a zero angle (straight up).

- Unplug the saw.
- Loosen the rip fence by lifting the locking lever.
- Using a framing square, set the rip fence 2 in. from the blade tip edge.
- Loosen the screw on the scale indicator and align with the 2 in. mark as shown.
- Tighten the screw and check the dimension and the rip fence.

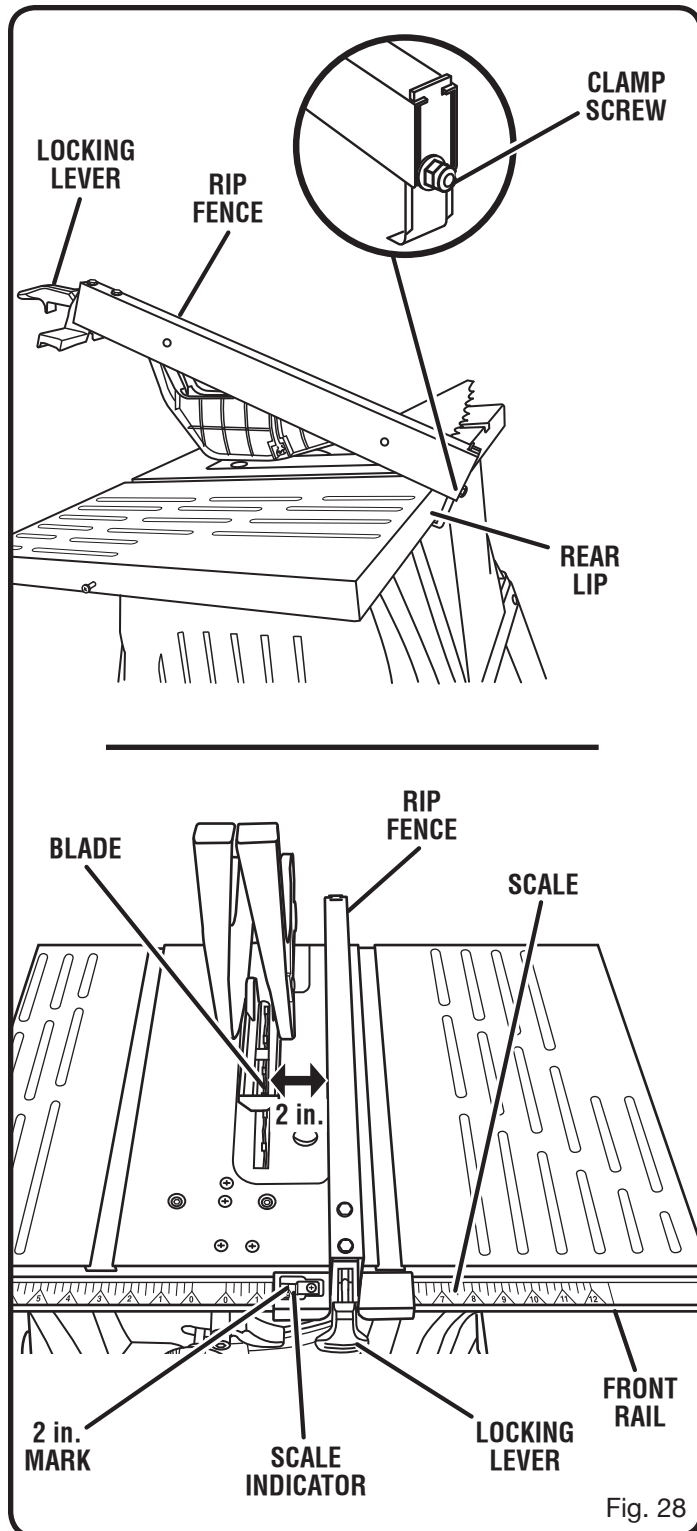


Fig. 28

OPERATION

TO USE THE MITER GAUGE

See Figure 29.

The miter gauge provides greater accuracy in angled cuts. For very close tolerances, test cuts are recommended.

There are two miter gauge grooves, one on either side of the blade. When making a 90° cross cut, you can use either miter gauge groove. When making a beveled cross cut (the blade tilted in relation to the table) the miter gauge should be located in the groove on the right so that the blade is tilted away from the miter gauge and your hands.

The miter gauge can be turned 60° to the right or left.

- Loosen the lock knob.
- With the miter gauge in the miter gauge groove, rotate the gauge until the desired angle is reached on the scale.
- Retighten the lock knob.

HEELING (PARALLELING) THE BLADE TO THE MITER GAUGE GROOVE

See Figures 30 - 32.

WARNING:

The blade must be parallel to the miter gauge groove so the wood does not bind resulting in kickback. Failure to do so could result in serious personal injury.

Do not loosen any screws for this adjustment until you have checked with a square and made test cuts to be sure adjustments are necessary. Once the screws are loosened, these items must be reset.

- Unplug the saw.
- Remove the blade guard and anti-kickback pawls. Raise the blade by turning the height/bevel adjusting handwheel.
- Mark beside one of the blade teeth at the front of the blade. Place a combination square even with the front of the saw table and the side of the saw blade as shown in figure 31.
- Turn the blade so the marked tooth is at the back.
- Move the combination square to the rear and again measure the distance. If the distances are the same, the blade is square.

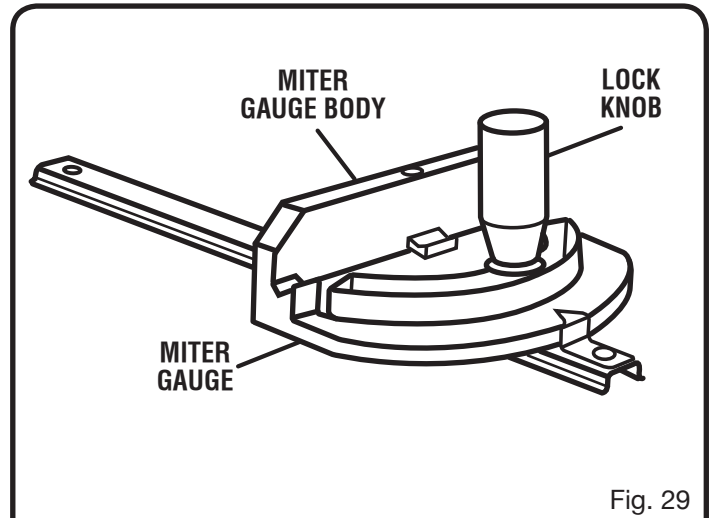


Fig. 29

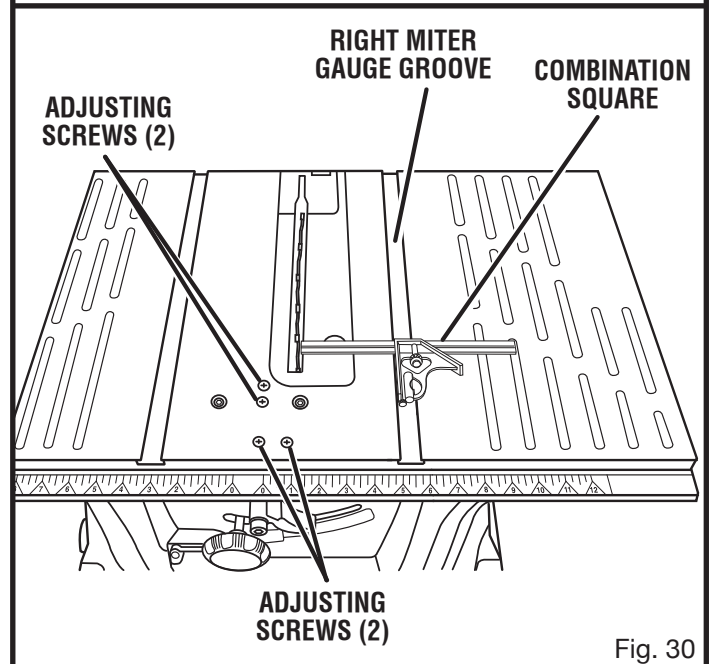


Fig. 30

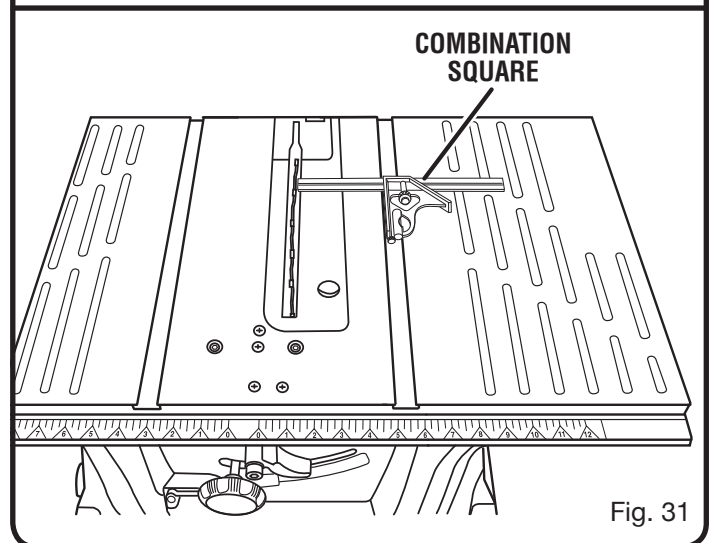


Fig. 31

OPERATION

If the distances are different:

- Place riving knife in “down” position.
- Loosen the adjusting screws, located on top of the saw table.
- If the back of the blade was too far from the combination square, place a block of wood on the left side of the blade and push it into the blade until the blade is square. Retighten the screws.
- If the back of the blade was too close to the combination square, place a block of wood on the right side of the blade and push it into the blade until the blade is square.
- Retighten the screws.

⚠ WARNING:

To reduce the risk of injury from kickback, align the rip fence to the blade following any blade adjustments. Always make sure the rip fence is parallel to the blade before beginning any operation.

MAKING CUTS

This table saw can perform a variety of cuts that are not all mentioned in this manual. DO NOT attempt to make any cuts not covered here unless you are thoroughly familiar with the proper procedures and necessary accessories. Your local library has many books on table saw usage and specialized woodworking procedures for your reference.

The blade provided with the saw is a high-quality combination blade suitable for ripping and cross cut operations. Carefully check all setups and rotate the blade one full revolution to assure proper clearance before connecting saw to power source. Stand slightly to the side of the blade path to reduce the chance of injury should kickback occur.

⚠ WARNING:

Do not use blades rated less than the speed of this tool. Failure to heed this warning could result in personal injury.

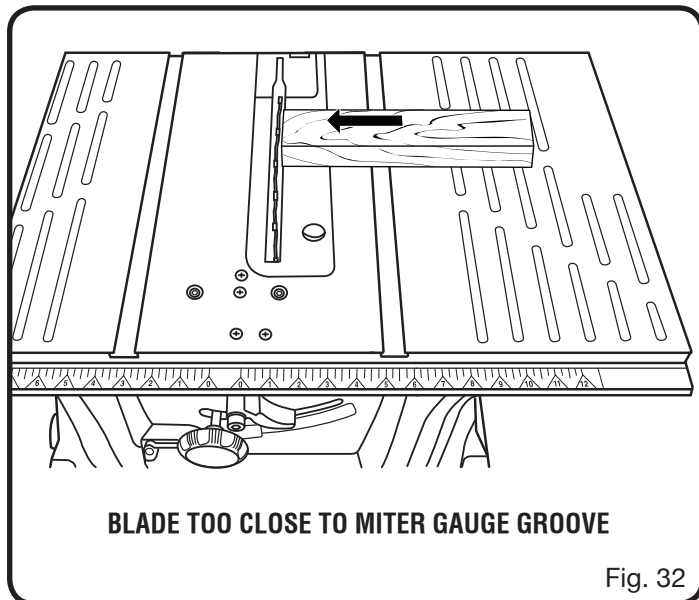


Fig. 32

OPERATION

Use the miter gauge when making cross, miter, bevel, and compound miter cuts. To secure the angle, lock the miter gauge in place by twisting the lock knob clockwise. Always tighten the lock knob securely in place before use.

NOTE: It is recommended that you place the piece to be saved on the left side of the blade and that you make a test cut on scrap wood first.

MAKING A CROSS CUT

See Figures 33 - 34.

WARNING:

Make sure the blade guard assembly is installed and working properly to avoid serious possible injury.

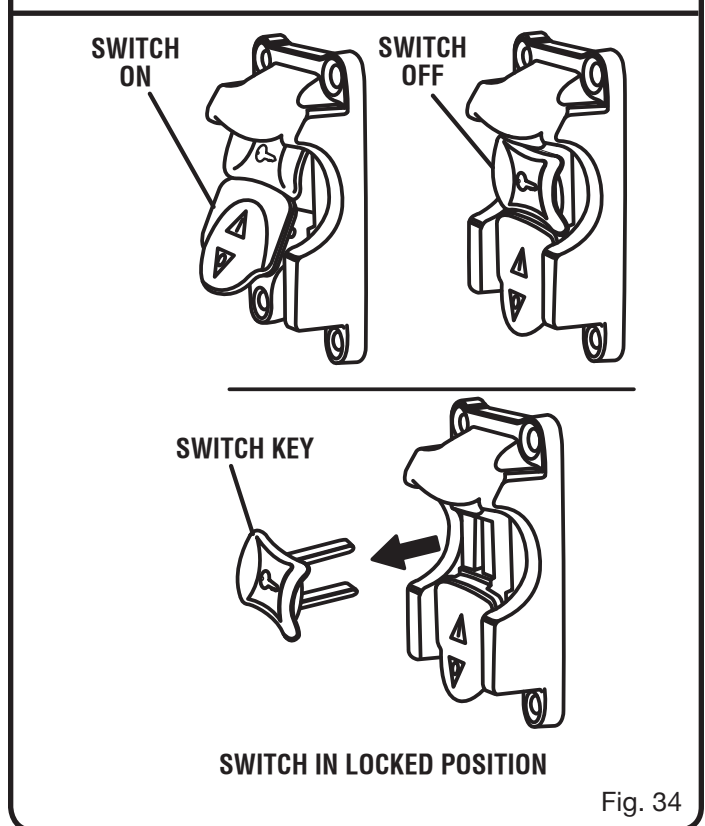
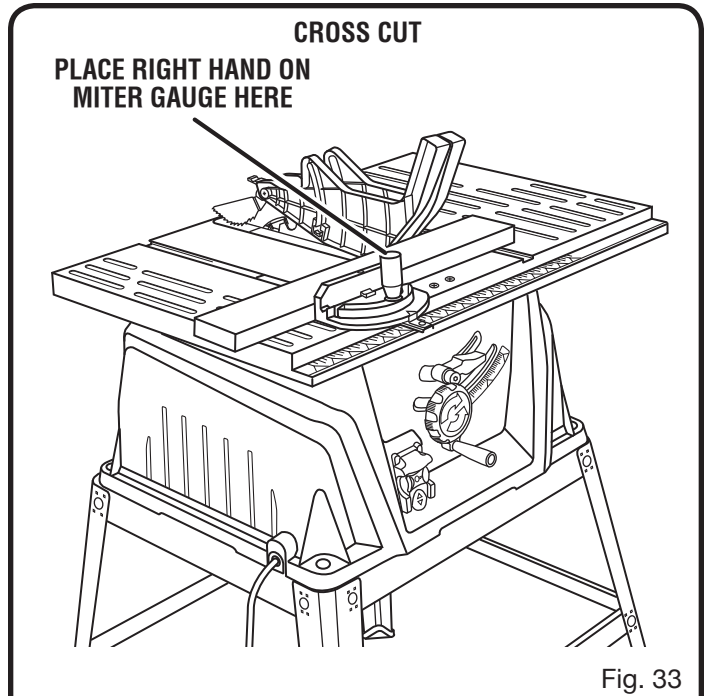
WARNING:

Using the rip fence as a cutoff gauge when cross cutting will result in kickback which can cause serious personal injury.

- Remove the rip fence.
- Set the blade to the correct depth for the workpiece.
- Set the miter gauge to 0° and tighten the lock knob.
- Make sure the wood is clear of the blade before turning on the saw.
- To turn the saw **ON**, lift the switch.
- To turn saw **OFF**, press the switch down.

NOTE: To prevent unauthorized use, remove the switch key as shown in figure 34.

- Let the blade build up to full speed before moving the workpiece into the blade.
- Hold the workpiece firmly with both hands on the miter gauge and feed the workpiece into the blade.
NOTE: The hand closest to the blade should be placed on the miter gauge lock knob and the hand farthest from the blade should be placed on the workpiece.
- When the cut is made, turn the saw off. Wait for the blade to come to a complete stop before removing the workpiece.



OPERATION

MAKING A RIP CUT

See Figure 35.

WARNING:

Make sure the blade guard assembly is installed and working properly to avoid serious possible injury.

WARNING:

Taper cuts must only be made with a special jig, which is commercially available. Do not attempt a free hand taper cut on this saw. Failure to follow these instructions could result in serious personal injury.

- Set the blade to the correct depth for the workpiece.
- Position the rip fence the desired distance from the blade for the cut and securely lock the handle.
- When ripping a long workpiece, place a support the same height as the table surface behind the saw for the cut work.
- Install feather board in the appropriate position for the cut being made.
- Make sure the wood is clear of the blade before turning on the saw.
- Turn the saw on.
- Position the workpiece flat on the table with the edge flush against the rip fence. Let the blade build up to full speed before feeding the workpiece into the blade.
- Once the blade has made contact with the workpiece, use the hand closest to the rip fence to guide it. Make sure the edge of the workpiece remains in solid contact with both the rip fence and the surface of the table. If ripping a narrow piece, use a push stick and/or push blocks to move the piece through the cut and past the blade.
- When the cut is made, turn the saw off. Wait for the blade to come to a complete stop before removing the workpiece.

MAKING A MITER CUT

See Figure 36.

WARNING:

Make sure the blade guard assembly is installed and working properly to avoid possible serious injury.

- Remove the rip fence.
- Set the blade to the correct depth for the workpiece.
- Set the miter gauge to the desired angle and tighten the lock knob.
- Make sure the wood is clear of the blade before turning on the saw.
- Turn the saw on.

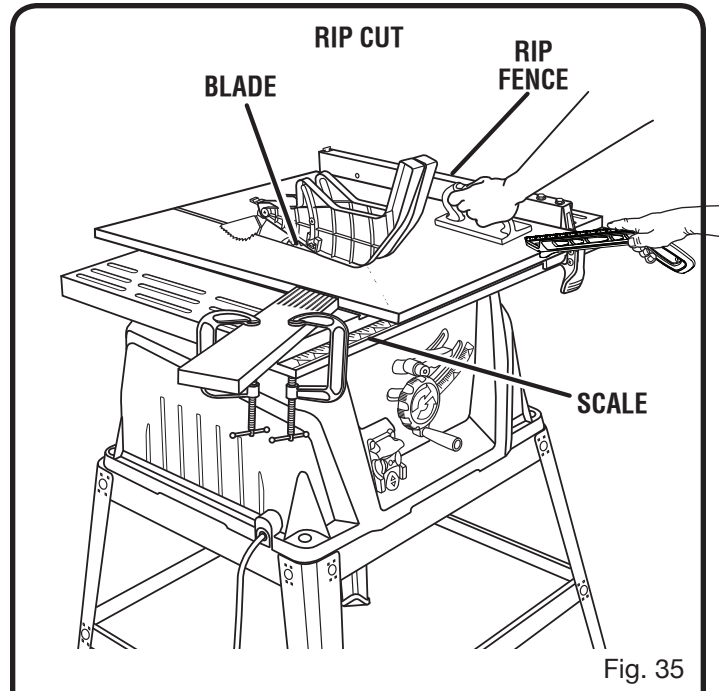


Fig. 35

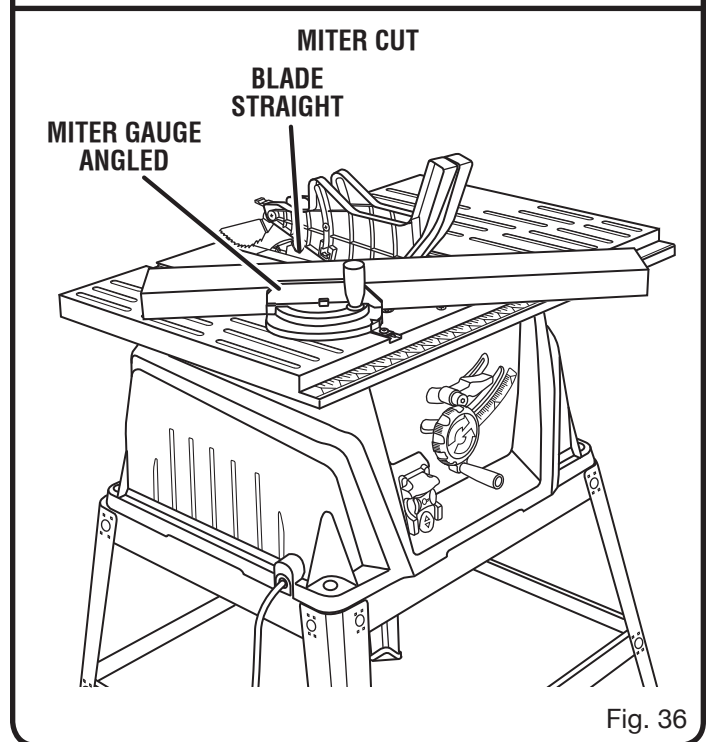


Fig. 36

- Let the blade build up to full speed before moving the workpiece into the blade.
- Hold the workpiece firmly with both hands on the miter gauge and feed the workpiece into the blade.
NOTE: The hand closest to the blade should be placed on the miter gauge lock knob and the hand farthest from the blade should be placed on the workpiece.
- When the cut is made, turn the saw off. Wait for the blade to come to a complete stop before removing the workpiece.

OPERATION

MAKING A BEVEL CROSS CUT

See Figures 37 - 38.

WARNING:

Make sure the blade guard assembly is installed and working properly to avoid serious personal injury.

WARNING:

The miter gauge must be on the right side of the blade to avoid trapping the wood and causing kickback. Placement of the miter gauge to the left of the blade will result in kickback and the risk of serious personal injury.

- Remove the rip fence.
- Unlock the bevel locking lever.
- Adjust the bevel angle to the desired setting.
- Lock the bevel locking lever.
- Set the blade to the correct depth for the workpiece.
- Set the miter gauge to 0° and tighten the lock knob.
- Make sure the wood is clear of the blade before turning on the saw.
- Turn the saw on.
- Let the blade build up to full speed before moving the workpiece into the blade.
- Hold the workpiece firmly with both hands on the miter gauge and feed the workpiece into the blade.
NOTE: The hand closest to the blade should be placed on the miter gauge lock knob and the hand farthest from the blade should be placed on the workpiece.
- When the cut is made, turn the saw off. Wait for the blade to come to a complete stop before removing the workpiece.

MAKING A BEVEL RIP CUT

See Figure 39.

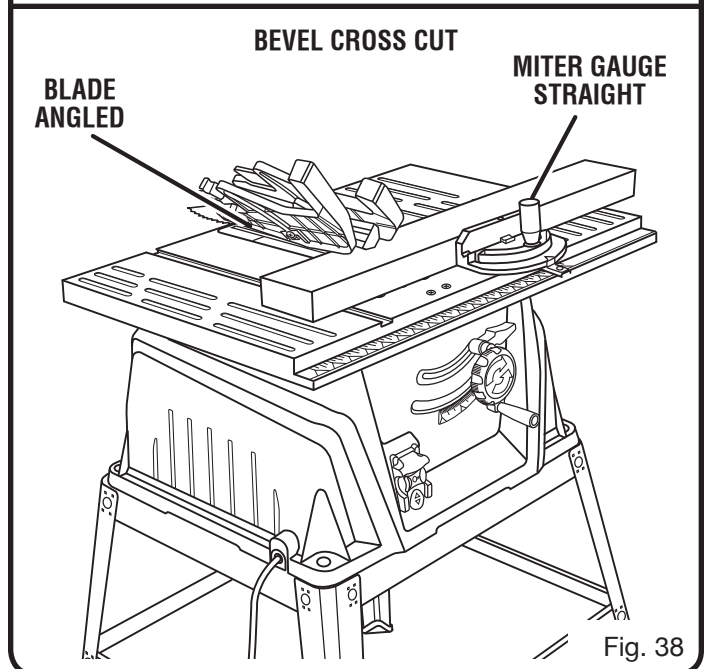
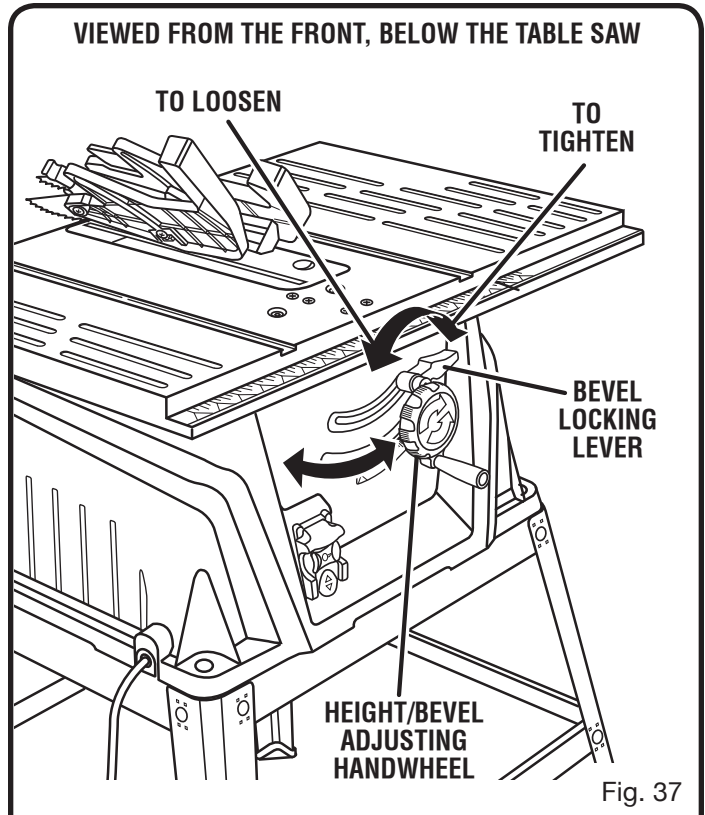
WARNING:

Make sure the blade guard assembly is installed and working properly to avoid serious personal injury.

WARNING:

The rip fence must be on the right side of the blade to avoid trapping the wood and causing kickback. Placement of the rip fence to the left of the blade will result in kickback and the risk of serious personal injury.

- Remove the miter gauge.
- Install feather board in the appropriate position for the cut being made.



- Unlock the bevel locking lever.
- Adjust the bevel angle to the desired setting.
- Lock the bevel locking lever.
- Set the blade to the correct depth for the workpiece.
- Position the rip fence the desired distance from the blade for the cut and securely lock the handle.
- Make sure the wood is clear of the blade before turning on the saw.

OPERATION

- When ripping a long workpiece, place a support the same height as the table surface behind the saw for the cut work.
- Turn the saw on.
- Position the workpiece flat on the table with the edge flush against the rip fence. Let the blade build up to full speed before feeding the workpiece into the blade.
- Once the blade has made contact with the workpiece, use the hand closest to the rip fence to guide it. Make sure the edge of the workpiece remains in solid contact with both the rip fence and the surface of the table. If ripping a narrow piece, use a push stick and/or push blocks to move the piece through the cut and past the blade.
- When the cut is made, turn the saw off. Wait for the blade to come to a complete stop before removing the workpiece.

MAKING A COMPOUND (BEVEL) MITER CUT

See Figure 40.

WARNING:

Make sure the blade guard assembly is installed and working properly to avoid possible serious injury.

WARNING:

The miter gauge must be on the right side of the blade to avoid trapping the wood and causing kickback. Placement of the miter gauge to the left of the blade will result in kickback and the risk of serious personal injury.

- Remove the rip fence.
- Unlock the bevel locking lever.
- Adjust the bevel angle to the desired setting.
- Lock the bevel locking lever.
- Set the blade to the correct depth for the workpiece.
- Set the miter gauge to the desired angle and tighten the lock knob.
- Make sure the wood is clear of the blade before turning on the saw.
- Turn the saw on.
- Let the blade build up to full speed before moving the workpiece into the blade.
- Hold the workpiece firmly with both hands on the miter gauge and feed the workpiece into the blade.

NOTE: The hand closest to the blade should be placed on the miter gauge lock knob and the hand farthest from the blade should be placed on the workpiece.

- When the cut is made, turn the saw off. Wait for the blade to come to a complete stop before removing the workpiece.

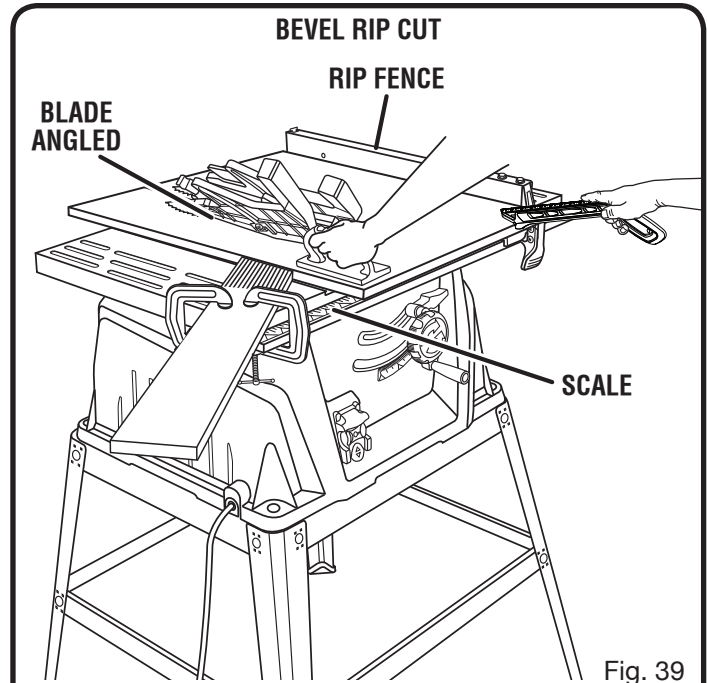


Fig. 39

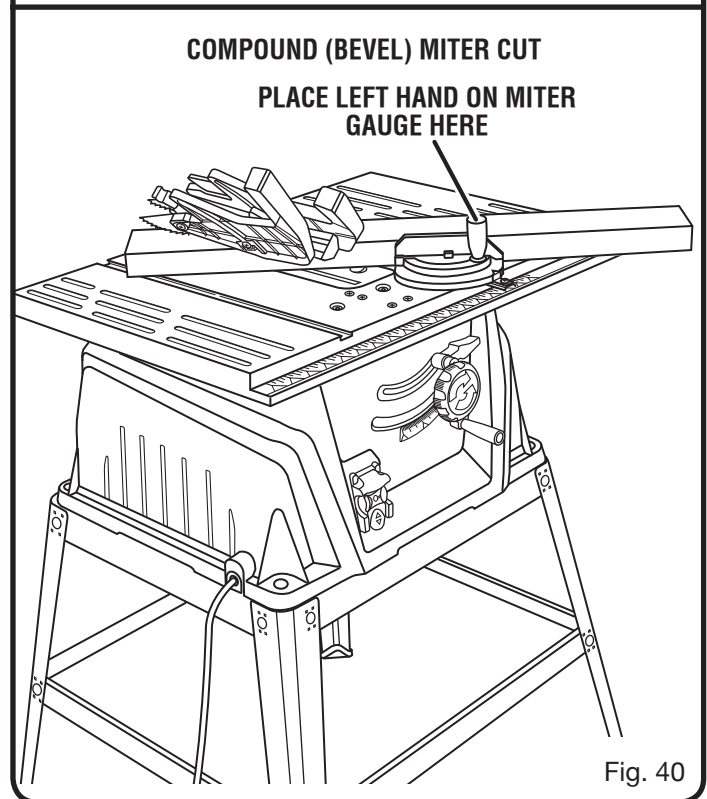


Fig. 40

OPERATION

MAKING A NON-THROUGH CUT

See Figure 41.

⚠ WARNING:

DO NOT install dado blades on this machine. The arbor shaft has insufficient threads to mount a dado blade. Mounting a dado blade could result in the risk of serious personal injury.

Non-through cuts (made with a standard 10 in. blade) can be made with the grain (ripping) or across the grain (cross cut). The use of a non-through cut is essential to cutting grooves. **DO NOT** perform bevel non-through cuts on this machine.

This is the only type cut that is made without the blade guard assembly installed. Make sure the blade guard assembly is reinstalled upon completion of this type of cut.

Read the appropriate section which describes the type of cut in addition to this section on non-through cuts. For example, if your non-through cut is a straight cross cut, read and understand the section on straight cross cuts before proceeding.

⚠ WARNING:

When making a non-through cut, the blade is covered by the workpiece during most of the cut. Be alert to the exposed blade at the start and finish of every cut to reduce the risk of personal injury.

⚠ WARNING:

Never feed wood with your hands when making any non-through cut such as rabbets. To avoid personal injury, always use push blocks, push sticks, and featherboards.

- Unplug the saw.
- Remove the blade guard and anti-kickback pawls.
- Place riving knife in “down” position.
- Unlock the bevel locking lever.
- Adjust the bevel angle to 0°.

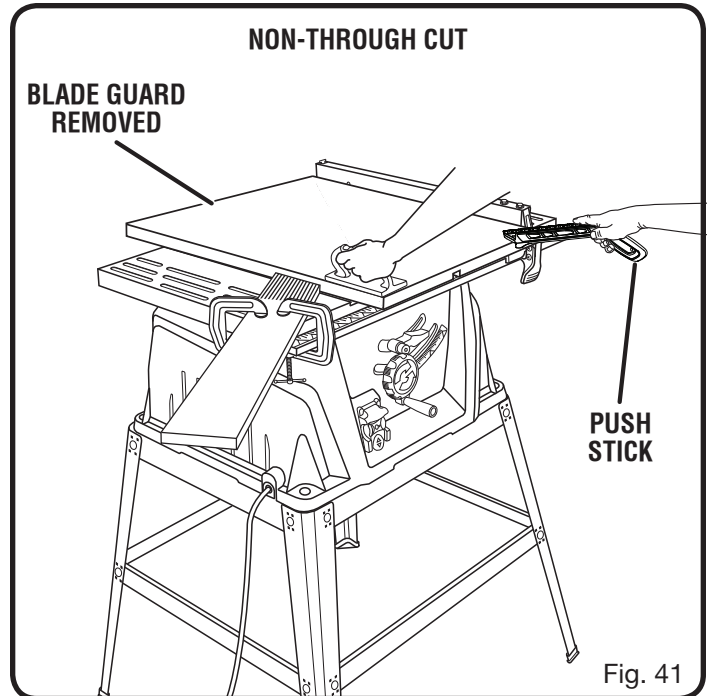


Fig. 41

- Lock the bevel locking lever.
- Set the blade to the correct depth for the workpiece.
- Depending on the shape and size of the wood, use either the rip fence or miter gauge.
- Plug the saw into the power source and turn the saw on.
- Let the blade build up to full speed before moving the workpiece into the blade.
- Always use push blocks, push sticks, and/or featherboards appropriately when making non-through cuts to reduce the risk of serious injury.
- When the cut is made, turn the saw off. Wait for the blade to come to a complete stop before removing the workpiece.

Once all non-through cuts are completed:

- Unplug your saw.
- Reinstall the riving knife in the “up” position then install the blade guard and anti-kickback pawls.

ADJUSTMENTS

⚠ WARNING:

Before performing any adjustment, make sure the tool is unplugged from the power supply and the switch is in the **OFF (O)** position. Failure to heed this warning could result in serious personal injury.

To avoid unnecessary set-ups and adjustments, a good practice is to check your setups carefully with a framing square and make practice cuts in scrap wood before making finish cuts in good workpieces. Do not start any adjustments until you have checked with a square and made test cuts to be sure adjustments are needed.

TO REPLACE THE BLADE

See Figures 42 - 44.

Blade kerf width must be within the limits stamped on the riving knife.

- Unplug the saw.
- Remove the blade guard and anti-kickback pawls.
- Lower the saw blade and remove the throat plate.
- Make sure the bevel locking lever is locked.
- Raise the saw blade to full height.
- Insert the open end blade wrench onto the flats on the arbor shaft.
- Insert the closed end blade wrench over the blade nut. Holding both wrenches firmly, pull the closed end wrench (right side) forward while pushing the open end wrench (left side) to the back of the saw. Remove the nut.
- Unlock the release locking lever and remove the blade.

NOTE: Arbor shaft has right hand threads.

To install a standard blade:

- Place the new blade on the arbor shaft (the teeth must point down toward the front of the saw to work properly).
- Place the blade washer and the blade nut over the arbor shaft. Be sure the dome side of the blade washer faces the blade and that all items are snug against the arbor housing. Make sure the blade nut is securely tightened. Do not overtighten.
- Lock the release lever.
- Rotate the blade by hand to make sure it turns freely.
- Lower the saw blade and reinstall the throat plate.
- Check all clearances for free blade rotation.

NOTE: To replace the blade with an accessory blade, follow the instructions provided with the accessory.

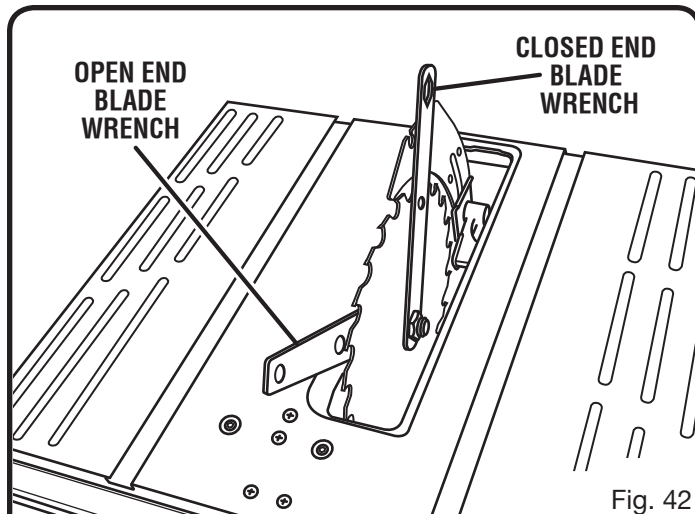


Fig. 42

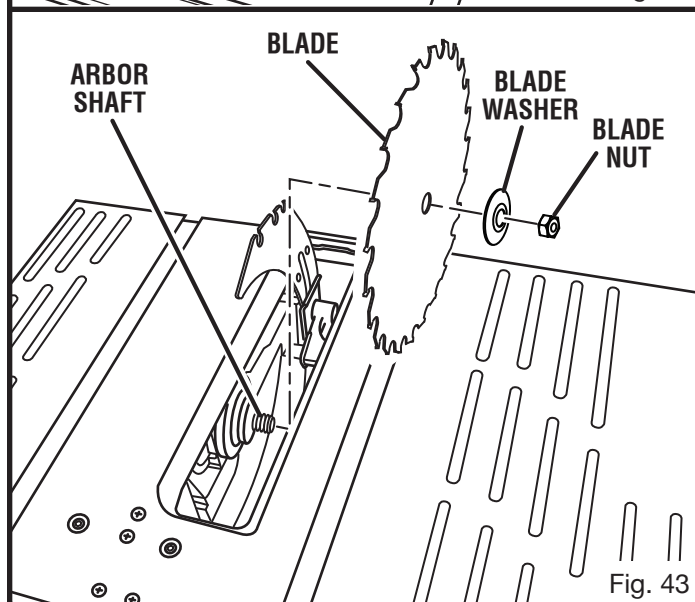


Fig. 43

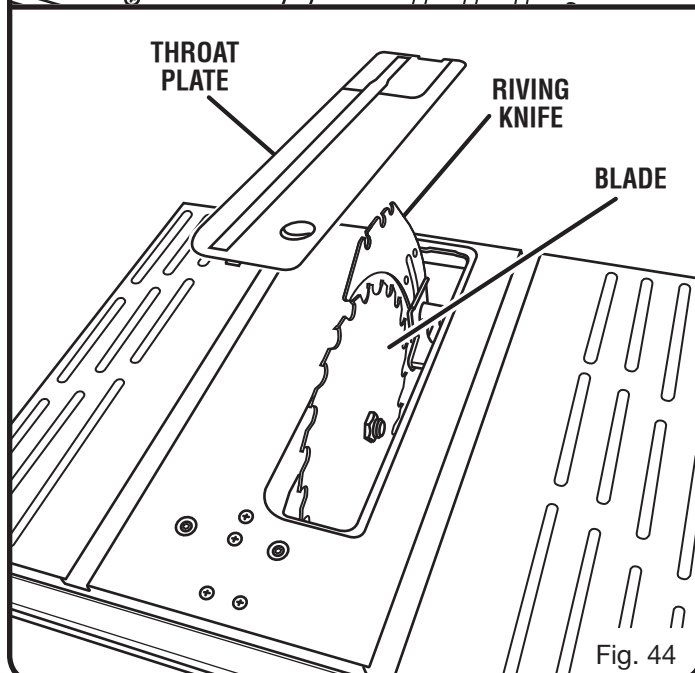


Fig. 44

ADJUSTMENTS

TO SET THE BLADE AT 0° AND 45°

See Figures 45 - 47.

The angle settings of the saw have been set at the factory and, unless damaged in shipping, should not require setting during assembly. After extensive use, they may need to be checked.

- Unplug the saw.
- Raise the blade.
- Remove the blade guard assembly.

If the blade is not perfectly vertical (0°):

- Loosen the adjustment screw and the bevel locking lever.
- Place a combination square beside the blade on the left. Lock the angle by pushing the bevel locking lever down and retighten the adjustment screw.
- Turn the handle until the bevel indicator points to zero. If the handle is turned as far as possible and doesn't indicate zero properly, you may need to adjust the bevel indicator.

NOTE: It will be necessary to remove the handle to adjust the bevel indicator.

If the blade is not an exact 45°:

- Loosen the adjustment screw and the bevel locking lever.
- Place a combination square beside the blade on the left.
- Turn the handle until the bottom of the blade has moved completely to the left side of the slot. Lock the angle by pushing the bevel locking lever.
- If the blade is not an exact 45°, loosen the 45° adjustment screw and the bevel locking lever.
- Adjust the bevel indicator to 45°.
- Make a test cut.

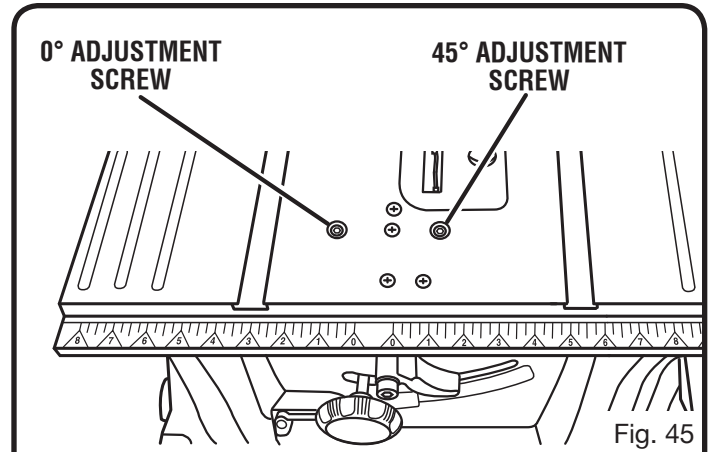


Fig. 45

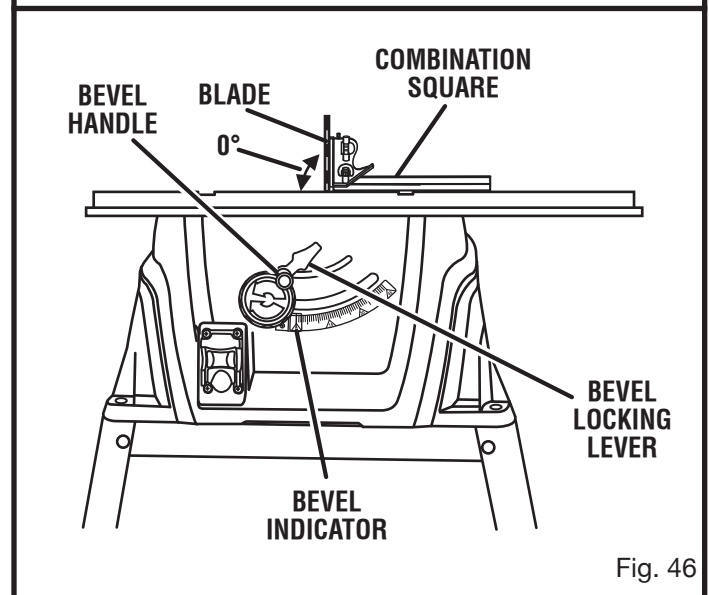


Fig. 46

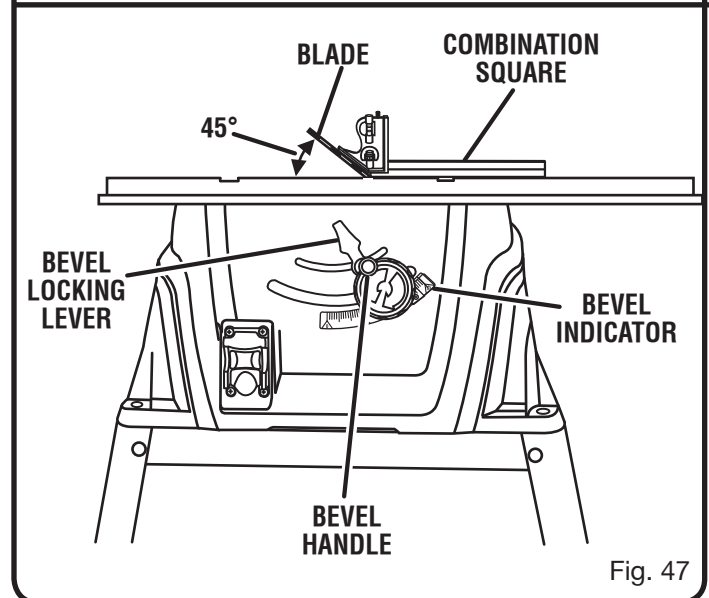


Fig. 47

ADJUSTMENTS

TO CHECK THE ALIGNMENT OF THE RIP FENCE TO THE BLADE

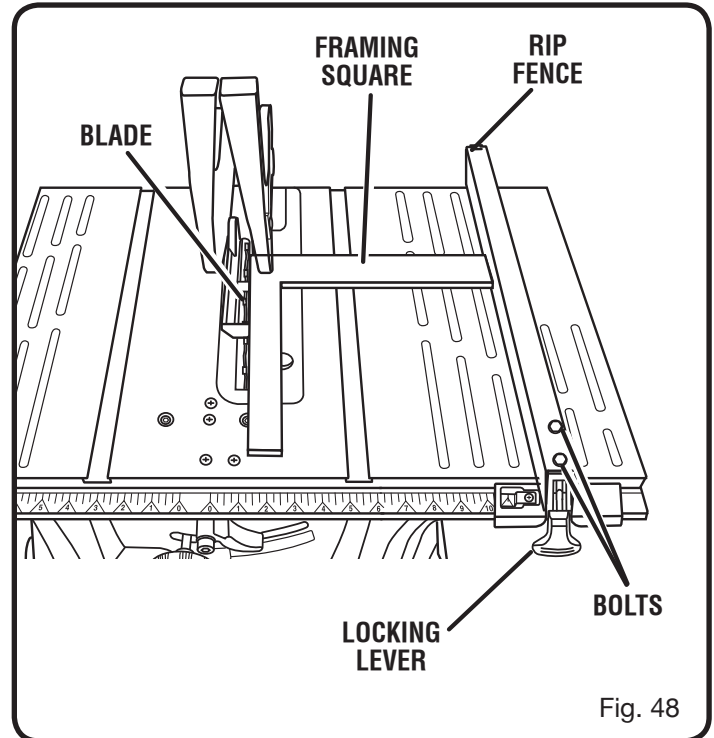
See Figure 48.

The rip fence must be parallel to the saw blade and the miter gauge grooves.

WARNING:

A misaligned rip fence can cause kickbacks and jams. To reduce the risk of injury, always maintain proper rip fence alignment.

- Unplug the saw.
- Raise the locking lever to permit the rip fence to be moved.
- Place a framing square beside the blade and move the rip fence up to the square. Take the dimension on the rip scale.
- Move the fence back and turn the framing square 180° to check the other side.
- If the two dimensions are not the same, loosen the two bolts on the fence and align it.
- Retighten the two bolts.
- Make two or three test cuts on scrap wood. If the cuts are not true, repeat the process.



MAINTENANCE

WARNING:

When servicing, use only identical replacement parts. Use of any other parts could create a hazard or cause product damage.

WARNING:

Always wear eye protection with side shields marked to comply with ANSI Z87.1 during product operation. If operation is dusty, also wear a dust mask.

WARNING:

Before performing any maintenance, make sure the tool is unplugged from the power supply and the switch is in the **OFF (O)** position. Failure to heed this warning could result in serious personal injury.

WARNING:

Do not at any time let brake fluids, gasoline, petroleum-based products, penetrating oils, etc., come in contact with plastic parts. Chemicals can damage, weaken, or destroy plastic which may result in serious personal injury.

- Periodically check all clamps, nuts, bolts, and screws for tightness and condition. Make sure the throat plate is in good condition and in position.
- Check the blade guard assembly.
- To maintain the table surfaces, fence, and rails, periodically apply paste wax to them and buff to provide smooth functioning.
- Protect the blade by cleaning out sawdust from underneath the table and in the blade teeth. Use a resin solvent on the blade teeth.
- **Clean plastic parts only with a soft damp cloth. DO NOT** use any aerosol or petroleum solvents.

GENERAL MAINTENANCE

Avoid using solvents when cleaning plastic parts. Most plastics are susceptible to damage from various types of commercial solvents and may be damaged by their use. Use clean cloths to remove dirt, dust, oil, grease, etc.

LUBRICATION

All of the bearings in this tool are lubricated with a sufficient amount of high grade lubricant for the life of the unit under normal operating conditions. Therefore, no further lubrication is required.

TROUBLESHOOTING

| Problem | Cause | Solution |
|--|--|---|
| Excess vibration. | Blade is out of balance. Blade is damaged. Saw is not mounted securely. Work surface is uneven. Blade is warped. | Replace blade. Replace blade. Tighten all hardware. Reposition on flat surface. Check saw blade installation. Replace blade if necessary. |
| Rip fence does not move smoothly. | Rip fence not mounted correctly. Rails are dirty or sticky. Clamp screw is out of adjustment. | Remount the rip fence. Clean and wax rails. Adjust clamp screw counterclockwise. |
| Rip fence does not lock at rear. | Clamp screw is out of adjustment. | Adjust clamp screw clockwise. |
| Cutting binds or burns work. | Blade is dull. Blade is heeling. Work is fed too fast. Rip fence is misaligned. Wood is warped. Riving knife is out of alignment. | Replace or sharpen blade. See Heeling (Paralleling) the Blade to the Miter Gauge Groove. Slow the feed rate. Align the rip fence. Replace the wood. Always cut with convex side to table surface. See To Check and Align the Riving Knife and Saw Blade in the Assembly section. |
| Wood edges away from rip fence when ripping. | Blade not properly sharpened or set. | Resharpener or set blade. |

TROUBLESHOOTING

| Problem | Cause | Solution |
|---|---|--|
| Saw does not make accurate 90° or 45° cuts. | Positive stops inside cabinet need adjusting (Bevel Cuts). Miter gauge is misaligned (Miter Cuts). | Adjust positive stops. Adjust the miter gauge. |
| Height/bevel adjusting hand-wheel is hard to turn. | Gears or screw post inside cabinet are clogged with saw dust. | Clean the gears or screw post. |
| Saw does not start. | Motor cord or wall cord is not plugged in. Circuit fuse is blown. Circuit breaker is tripped. Cord or switch is damaged. | Plug in motor cord or wall cord. Replace circuit fuse. Reset circuit breaker. Have the cord or switch replaced at your nearest authorized service center. |
| Blade makes poor cuts. | Blade is dull or dirty. Blade is wrong type for cut being made. Blade is mounted backwards. | Clean, sharpen, or replace blade. Replace with correct type. Remount blade. |
| Blade does not lower when turning height/bevel adjusting handwheel. | Locking lever is not at full left position. | Move locking lever to left. |
| Motor labors in rip cut. | Blade not proper for rip cut. | Change blade; rip blade typically has fewer teeth. |

RÈGLES DE SÉCURITÉ GÉNÉRALES

AVERTISSEMENT :

Lire attentivement toutes les instructions. Le non-respect des instructions ci-dessous peut entraîner un choc électrique, un incendie et des blessures graves.

LIRE TOUTES LES INSTRUCTIONS

- **VEILLER À BIEN CONNAÎTRE L'OUTIL.** Lire attentivement le manuel d'utilisation. Apprendre les applications et les limites de la scie, ainsi que les risques spécifiques relatifs à son utilisation.
- **SE PROTÉGER DES CHOCS ÉLECTRIQUES EN ÉVITANT TOUT CONTACT DU CORPS AVEC DES SURFACES MISES À LA TERRE.** Par exemple : tuyaux, radiateurs, cuisinières, réfrigérateurs.
- **MAINTENIR TOUS LES DISPOSITIFS DE PROTECTION EN PLACE** et en bon état de fonctionnement.
- **RETIRER LES CLÉS ET OUTILS DE RÉGLAGE.** Prendre l'habitude de vérifier que tous les outils et clés de réglage ont été retirés de l'outil avant de le mettre en marche.
- **GARDER LE LIEU DE TRAVAIL PROPRE.** Les établis encombrés et les endroits sombres sont propices aux accidents. **NE PAS** laisser d'outils ou de pièces de bois sur la scie en fonctionnement.
- **NE PAS UTILISER DANS DES ENVIRONNEMENTS DANGEREUX.** Ne pas utiliser les outils électriques dans des endroits mouillés ou humides, ne pas les exposer à la pluie. Garder le lieu de travail bien éclairé.
- **GARDER LES ENFANTS ET VISITEURS À L'ÉCART.** Tous les visiteurs doivent porter des lunettes de sécurité et se tenir à bonne distance de la zone de travail. Ne pas laisser les visiteurs toucher l'outil ou son cordon d'alimentation pendant le fonctionnement.
- **ASSURER LA SÉCURITÉ DES ENFANTS** en installant des cadenas et des disjoncteurs ou en retirant les clés de contact.
- **NE PAS FORCER L'OUTIL.** Il exécutera le travail mieux et de façon moins dangereuse s'il fonctionne dans les limites prévues.
- **UTILISER L'OUTIL APPROPRIÉ.** Ne pas utiliser l'outil ou un accessoire pour effectuer un travail pour lequel il n'est pas conçu. Ne pas utiliser l'outil pour une application non prévue.
- **UTILISER UN CORDON PROLONGATEUR ADÉQUAT.** S'assurer que le cordon prolongateur est en bon état. Utiliser exclusivement un cordon d'une capacité suffisante pour supporter le courant de fonctionnement de l'outil. Un cordon de capacité insuffisante causerait une baisse de la tension de ligne, entraînant une perte de puissance et une surchauffe. Un calibre de fil (A.W.G) d'au minimum **14** est recommandé pour un cordon prolongateur de 7,5 m (25 pi) ou moins. En cas de doute, utiliser un cordon du calibre immédiatement supérieur. Moins le numéro de calibre est élevé, plus la capacité du fil est grande.
- **PORTER UNE TENUE APPROPRIÉE.** Ne pas porter de vêtements amples, gants, cravate ou bijoux. Ces articles pourraient être happés et tirer la main ou une partie du corps dans les pièces en mouvement. Les cheveux longs doivent être ramassés sous un couvre-chef.
- **TOUJOURS PORTER UNE PROTECTION OCULAIRE MUNIE D'ÉCRANS LATÉRAUX CERTIFIÉE CONFORME À LA NORME ANSI Z87.1.** Si cette précaution n'est pas prise, des objets peuvent être projetés dans les yeux et causer des lésions graves.
- **ASSUJETTIR LES PIÈCES.** Dans la mesure du possible, utiliser des serre-joints ou un étau pour maintenir la pièce. Cette pratique réduit les risques et laisse les deux mains libres.
- **NE PAS TRAVAILLER HORS DE PORTÉE.** Toujours se tenir bien campé et en équilibre.
- **ENTREtenir SOIGNEUSEMENT LES OUTILS.** Garder les outils bien affûtés et propres pour accroître la sécurité et les performances. Suivre les instructions de lubrification et de changement d'accessoires.
- **DÉBRANCHER TOUS LES OUTILS.** Tous les outils doivent être débranchés lorsqu'ils ne sont pas en usage et avant toute opération d'entretien ou de changement d'accessoire, lame, foret, fers, etc.
- **ÉVITER LES DÉMARRAGES ACCIDENTELS.** S'assurer que le commutateur est en position d'arrêt avant de brancher un outil.
- **UTILISER LES ACCESSOIRES RECOMMANDÉS.** Voir les accessoires recommandés dans le manuel d'utilisation. L'utilisation d'accessoires inadéquats peut causer des blessures.
- **NE JAMAIS MONTER SUR L'OUTIL.** Un basculement de l'outil ou le contact accidentel avec l'accessoire de coupe peut causer des blessures graves.
- **VÉRIFIER L'ÉTAT DES PIÈCES.** Avant d'utiliser l'outil de nouveau examiner soigneusement les pièces et dispositifs de protection qui semblent endommagés afin de déterminer s'ils fonctionnent correctement et s'ils remplissent les fonctions prévues. Vérifier l'alignement des pièces mobiles, s'assurer qu'aucune pièce n'est bloquée ou cassée, vérifier la fixation de chaque pièce et s'assurer qu'aucun autre problème ne risque d'affecter le bon fonctionnement de l'outil. Pour éviter les risques de blessures, toute protection ou pièce endommagée doit être correctement réparée ou remplacée dans un centre de réparations agréé.
- **ENGAGER LES PIÈCES DANS LE SENS CORRECT.** Le matériau à couper ne doit être engagé que contre le sens de rotation de la lame.
- **NE JAMAIS LAISSER L'OUTIL EN FONCTIONNEMENT SANS SURVEILLANCE. COUPER L'ALIMENTATION ÉLECTRIQUE.** Ne pas s'éloigner de l'outil avant qu'il soit parvenu à un arrêt complet.
- **PORTER UNE PROTECTION RESPIRATOIRE.** Porter un masque facial ou respiratoire si le travail produit de la poussière.
- **PORTER UNE PROTECTION AUDITIVE.** Porter une protection auditive durant les périodes d'utilisation prolongée.
- **NE PAS MALTRAITER LE CORDON D'ALIMENTATION.** Ne jamais tirer sur le cordon pour le débrancher de la prise secteur. Garder le cordon à l'écart de la chaleur, de l'huile et des objets tranchants.
- **POUR LES TRAVAUX À L'EXTÉRIEUR, UTILISER UN CORDON SPÉCIALEMENT CONÇU À CET EFFET, MARQUÉ « W-A » OU « W ».** Ces cordons réduisent les risques de choc électrique.
- **TOUJOURS GARDER LA GARDE DE LAME ET L'ÉCARTE EN PLACE** et en bon état de fonctionnement.
- **GARDER LES LAMES PROPRES, BIEN AFFÛTÉES ET SUFFISAMMENT AVOYÉES.** Des lames affûtées réduisent les risques de blocage et de rebond.

RÈGLES DE SÉCURITÉ GÉNÉRALES

- **GARDER LES MAINS À L'ÉCART DE LA ZONE DE COUPE.** Garder les mains à l'écart des lames. Ne pas mettre les mains sous le travail, ou autour ou au dessus de la lame lorsqu'elle est en rotation. Ne pas essayer de retirer une pièce coupée pendant que la lame est en rotation.
- **LES LAMES CONTINUENT DE TOURNER EN ROUE LIBRE UNE FOIS QUE LA SCIE EST ÉTEINTE.**
- **NE JAMAIS UTILISER CET OUTIL DANS UNE ATMOSPHÈRE EXPLOSIVE.** Les étincelles normalement produites par le moteur pourraient enflammer les vapeurs.
- **INSPECTER RÉGULIÈREMENT LES CORDONS DE L'OUTIL.** Faire remplacer tout commutateur défectueux par un technicien qualifié ou un centre de réparations agréé. Le fil à gaine verte, avec ou sans traceur jaune est le fil de terre. Si le cordon doit être réparé ou remplacé, ne pas connecter le fil de terre de l'outil sur une borne sous tension. Tout cordon endommagé doit être réparé ou remplacé immédiatement. Toujours rester conscient de l'emplacement du cordon et veiller à le tenir à l'écart de la lame en rotation.
- **INSPECTER RÉGULIÈREMENT LES CORDONS PROLONGATEURS** et les remplacer s'ils sont endommagés.
- **METTRE TOUS LES OUTILS À LA TERRE.** Si un outil est équipé d'une fiche à trois broches, il doit être branché sur une prise secteur à trois trous.
- **CONSULTER UN ÉLECTRICIEN QUALIFIÉ** ou le personnel de service si les instructions de mise à la terre ne sont pas bien comprises, ou en cas de doute au sujet de la mise à la terre.
- **N'UTILISER QUE DES ACCESSOIRES ÉLECTRIQUES APPROPRIÉS :** Utiliser exclusivement des cordons prolongateurs à 3 fils doté d'une fiche à prise de terre branchés sur une prise triphasée compatible avec la fiche de l'outil.
- **NE PAS MODIFIER** la fiche fournie. Si elle ne peut pas être insérée dans la prise secteur, faire installer une prise adéquate par un électricien qualifié.
- **GARDER L'OUTIL SEC, PROPRE ET EXEMPT D'HUILE OU DE GRAISSE.** Toujours utiliser un chiffon propre pour le nettoyage. Ne jamais utiliser de liquide de freins, d'essence ou de produits à base de pétrole pour nettoyer l'outil.
- **RESTER VIGILANT ET GARDER LE CONTRÔLE.** Se montrer attentif et faire preuve de bon sens. Ne pas utiliser l'outil en état de fatigue. Ne pas se presser.
- **NE PAS UTILISER L'OUTIL SI LE COMMUTATEUR NE PERMET PAS DE LE METTRE EN MARCHÉ OU DE L'ARRÊTER.** Faire remplacer les commutateurs défectueux dans un centre de réparations agréé.
- **N'UTILISER QUE LES LAMES APPROPRIÉES.** Ne pas utiliser de lames dont le trou n'est pas de la taille correcte. Ne jamais utiliser de rondelles ou boulons de lame défectueux ou de type incorrect. La taille maximum de lame pouvant être utilisée sur cette scie est de 254 mm (10 po).
- **S'ASSURER QUE TOUS LES DISPOSITIFS DE PROTECTION FONCTIONNENT CORRECTEMENT AVANT D'EFFECTUER UNE COUPE.**
- **S'ASSURER QU'AUCUN CLOU NE SE TROUVE SUR LA TRAJECTOIRE DE LA LAME.** Inspecter la pièce et retirer les clous éventuels avant de la couper.
- **NE JAMAIS TOUCHER LA LAME** ou les pièces en mouvement pendant le fonctionnement.
- **NE JAMAIS METTRE UN OUTIL EN MARCHÉ LORSQU'UNE PIÈCE EN ROTATION QUELCONQUE EST EN CONTACT AVEC LA PIÈCE À COUPER.**
- **NE PAS UTILISER CET OUTIL SOUS L'INFLUENCE DE L'ALCOOL, DE DROGUES OU DE MÉDICAMENTS.**
- Utiliser exclusivement des pièces identiques à celles d'origine **POUR LES RÉPARATIONS.** L'usage de toute autre pièce pourrait créer une situation dangereuse ou endommager l'outil.
- **UTILISER EXCLUSIVEMENT LES ACCESSOIRES RECOMMANDÉS** dans ce manuel ou ses addendas. L'emploi de tout accessoire non recommandé peut présenter un risque de blessure. Les instructions de sécurité d'utilisation sont fournies avec les accessoires.
- **VÉRIFIER DEUX FOIS TOUS LES RÉGLAGES.** S'assurer que la lame est bien serrée et ne touche ni la scie, ni la pièce à couper avant de brancher la scie sur le secteur.

RÈGLES DE SÉCURITÉ PARTICULIÈRES

- **ASSUJETTIR OU BOULONNER SOLIDEMENT LA SCIE SUR UN ÉTABLI OU UN STAND,** approximativement à la hauteur des hanches.
- **NE PAS FAIRE FONCTIONNER LA SCIE SANS AVOIR DÉPOSÉ LE SUPPORT SUR LE SOL.**
- **SE PROTÉGER DES REBONDS.** Le rebond se produit lorsqu'un blocage soudain de la lame dans le bois cause la projection de la pièce en train d'être coupée en direction de l'opérateur. Ceci peut tirer la main contre la lame et causer des blessures graves. Rester à l'écart de la ligne de coupe et arrêter immédiatement la scie si la lame est bloquée, stoppe ou se coince.
- **UTILISER LE GUIDE LONGITUDINAL.** Toujours utiliser un guide ou une règle pour le sciage en long.
- **SOUTENIR LES PANNEAUX DE GRANDE TAILLE.** Pour minimiser le risque de pincement de la lame et de rebond, toujours soutenir les panneaux de grande taille.
- **RETIRER TOUS LES GUIDES ET TOUTES LES TABLES AUXILIAIRES** avant de transporter la scie. Le non-respect de cette précaution peut entraîner un accident et des blessures graves.
- **TOUJOURS UTILISER LA GARDE DE LAME, COUPEAU DIVISEUR ET LES GRIFFES ANTIREBOND** lors des coupes « traversantes ». Une coupe est appelée « traversante » lorsque la lame coupe une pièce de bois de part en part, dans le sens de la longueur ou de la largeur. Garder la garde de lame ainsi que les griffes antirebond abaissées et le coupeau diviseur en place sur la lame.
- **TOUJOURS ASSUJETTIR LA PIÈCE À COUPER** fermement contre le guide longitudinal ou le guide d'onglets.
- **TOUJOURS UTILISER UN BÂTON POUSSOIR LORS DE LA REFENTE DES PLANCHES ÉTROITES.** Un bâton pousoir est un instrument permettant de pousser une pièce contre la lame au lieu de le faire avec les mains. Bien que

RÈGLES DE SÉCURITÉ PARTICULIÈRES

la taille et la forme puissent varier, le bâton poussoir doit toujours être plus étroit que la pièce à couper afin qu'il ne risque pas de toucher la lame. Lors de la refente de matériau étroit, toujours utiliser le poussoir ou le gabarit mentionné au chapitre « *Comment faire un gabarit* » (pour la refente de pièce à travailler étroite) dans ce manuel afin de garder la main éloignée de la lame de la scie. Pour les coupes non traversantes, utiliser un bloc poussoir et des cales-guides.

- **LORS DU COUPES LONGITUDINAL NON TRAVERSANTE**, toujours utiliser un bâton poussoir, bloc poussoir et/ou cale-guide afin de ne pas risquer que les mains à moins de 76,2 mm (3 po) de la lame.
- **LORS DE LA REFENTE DES PLANCHES ÉTROITES**, toujours utiliser un bâton poussoir, bloc poussoir, gabarit (conçu pour la refente étroite), ou cale-guide.
- **NE JAMAIS** effectuer quelque opération que ce soit à « main levée », c'est-à-dire en utilisant seulement les mains pour soutenir ou guider une pièce. Toujours utiliser le guide longitudinal ou le guide à onglet pour positionner et guider la pièce.
- **NE JAMAIS** se tenir ou laisser une partie du corps se trouver dans la trajectoire de la lame.
- **NE JAMAIS** placer la main ou les doigts derrière, au-dessous ou à moins de 76 mm (3 po) de la lame ou de sa trajectoire.
- **ENLEVEZ TOUJOURS LE GUIDE LONGITUDINAL** quand vous coupez à transversale.
- **NE PAS UTILISER LE GUIDE D'ONGLET ET LE GUIDE LONGITUDINAL** en même temps.
- **NE JAMAIS** utiliser le guide longitudinal comme guide lors des coupes transversales.
- **NE JAMAIS** essayer de débloquer une lame coincées avant d'avoir **ÉTEINT** et débranché la scie.
- **FURNIR UN SUPPORT ADÉQUAT** à l'arrière et sur les côtés de la table de scie, pour les pièces très larges ou longues.
- **ÉVITER LES REBONDS** (pièces projetées en direction de l'opérateur) en :
 - a) Gardant la lame affûtée.
 - b) Gardant le guide longitudinal parallèle à la lame.
 - c) Gardant les griffes antirebond, le couteau diviseur et la garde de lame en place en en état de fonctionnement.
 - d) Ne retirant pas la pièce avant qu'elle ait été poussée au-delà de la lame au moyen d'un bâton poussoir.

e) Ne sciant pas en long une pièce voilée, déformée ou dont le chant ne repose pas à plat contre le guide, dans le sens de la longueur (refente).

- **SI LE CORDON D'ALIMENTATION EST ENDOMMAGÉ**, il doit être remplacé uniquement par le fabricant ou par un centre de réparation agréé pour éviter tout risque.
- **ÉVITER LES OPÉRATIONS ET POSITIONS INCOMMODES** pouvant causer un glissement soudain des mains vers la lame.
- **UTILISER EXCLUSIVEMENT LES ACCESSOIRES RECOMMANDÉS** dans ce manuel ou ses addendas. L'emploi de tout accessoire non recommandé peut présenter un risque de blessure. Les instructions de sécurité d'utilisation sont fournies avec les accessoires.
- **S'ASSURER QUE LA ZONE DE TRAVAIL EST SUFFISAMMENT ÉCLAIRÉE** pour voir ce que l'on fait et qu'aucun obstacle ne peut nuire à la sécurité d'utilisation **AVANT** d'effectuer quelque coupe que ce soit.
- **TOUJOURS ÉTEINDRE LA SCIE** avant de la débrancher pour éviter un démarrage accidentel lors du branchement pour l'utilisation suivante.
- **UTILISER SEULEMENT LES LAMES** dans la gamme d'épaisseur a timbré sur le écarteur/couteau diviseur.
- Les avertissements ci-dessous doivent être apposés sur **CET OUTIL** :
 - a) Porter une protection oculaire.
 - b) Utiliser la garde de lame et le couteau diviseur pour toutes les opérations le permettant, y compris toutes les coupes traversantes.
 - c) Garder les mains hors du passage de la lame.
 - d) Utiliser un bâton poussoir lorsque nécessaire.
 - e) Prêter une attention particulière aux instructions relatives à la réduction des risques de rebond.
 - f) Ne jamais travailler à main levée.
 - g) Ne jamais passer la main derrière ou au-dessus de la lame.
 - h) Ne jamais utiliser la scie sur le plancher ou au dessous de la hauteur de taille.
- **NE JAMAIS COUPER PLUS QU'UN MORCEAU DE MATÉRIEL À LA FOIS.**
- **CONSERVER CES INSTRUCTIONS.** Les consulter fréquemment et les utiliser pour instruire les autres utilisateurs. Si cet outil est prêté, il doit être accompagné de ces instructions.

PROPOSITION 65 DE L'ÉTAT DE CALIFORNIE

AVERTISSEMENT :

Ce produit et la poussière dégagée lors du ponçage, sciage, meulage, perçage de certains matériaux et lors d'autres opérations de construction peuvent contenir des produits chimiques, notamment du plomb qui, selon l'État de la Californie, peuvent causer le cancer, des anomalies congénitales et d'autres dommages au système reproducteur. **Bien se laver les mains après toute manipulation.**




Voici certains exemples de ces produits chimiques :

- le plomb contenu dans la peinture au plomb,
- la silice cristalline contenue dans les briques, le béton et d'autres produits de maçonnerie, ainsi que
- l'arsenic et le chrome contenus dans le bois de construction traité par produits chimiques.







Le risque présenté par l'exposition à ces produits varie en fonction de la fréquence de ce type de travail. Pour réduire l'exposition, travailler dans un endroit bien aéré et utiliser des équipements de sécurité approuvés tels que masques antipoussières spécialement conçus pour filtrer les particules microscopiques.

SYMBOLES

Les termes de mise en garde suivants et leur signification ont pour but d'expliquer le degré de risques associé à l'utilisation de ce produit.

| SYMBOLE | SIGNAL | SIGNIFICATION |
|---|------------------------|--|
|  | DANGER : | Indique une situation dangereuse qui, si elle n'est pas évitée, aura pour conséquences des blessures graves ou mortelles. |
|  | AVERTISSEMENT : | Indique une situation dangereuse qui, si elle n'est pas évitée, pourrait entraîner des blessures graves ou mortelles. |
|  | ATTENTION : | Indique une situation dangereuse qui, si elle n'est pas évitée, pourrait entraîner des blessures légères ou de gravité modérée. |
| | AVIS : | (Sans symbole d'alerte de sécurité) Indique les informations jugées importantes sans toutefois représenter un risque de blessure (ex. : messages concernant les dommages matériels). |

Certains des symboles ci-dessous peuvent être utilisés sur l'outil. Veiller à les étudier et à apprendre leur signification. Une interprétation correcte de ces symboles permettra d'utiliser l'outil plus efficacement et de réduire les risques.

| SYMBOLE | NOM | DÉSIGNATION / EXPLICATION |
|---|-------------------------------------|--|
|  | Symbole d'alerte de sécurité | Indique un risque de blessure potentiel. |
|  | Lire le manuel d'utilisation | Pour réduire les risques de blessures, l'utilisateur doit lire et veiller à bien comprendre le manuel d'utilisation avant d'utiliser ce produit. |
|  | Protection oculaire | Toujours porter une protection oculaire avec écrans latéraux certifiée conforme à la norme ANSI Z87.1. |
|  | Symbole Mains à l'écart | Le non-respect de cette mise en garde peut entraîner des blessures graves. |
|  | Avertissement concernant l'humidité | Ne pas exposer à la pluie ou l'humidité. |
| V | Volts | Tension |
| A | Ampères | Intensité |
| Hz | Hertz | Fréquence (cycles par seconde) |
| min | Minutes | Temps |
| ~ | Courant alternatif | Type de courant |
| n_0 | Vitesse à vide | Vitesse de rotation à vide |
|  | Construction de classe II | Construction à double isolation |
| .../min | Par minute | Tours, coups, vitesse périphérique, orbites, etc., par minute |

CARACTÉRISTIQUES ÉLECTRIQUES

CORDONS PROLONGATEURS

Utiliser exclusivement des cordons prolongateurs à trois fils doté d'une fiche à prise de terre branchés sur une prise triphasée compatible avec la fiche de l'outil. Lors de l'utilisation d'un outil électrique à grande distance d'une prise secteur, veiller à utiliser un cordon prolongateur d'une capacité suffisante pour supporter l'appel de courant de l'outil. Un cordon de capacité insuffisante causerait une baisse de la tension de ligne, entraînant une perte de puissance et une surchauffe. Se reporter au tableau ci-dessous pour déterminer le calibre minimum de fil requis pour un cordon donné. Utiliser exclusivement des cordons à gaine ronde homologués par Underwriter's Laboratories (UL).

**Intensité nominale (sur la plaquette signalétique de l'outil)

| Longueur du cordon | Calibre de fil (A.W.G.) | | | | | |
|--------------------|-------------------------|---------|---------|---------|----------|-----------|
| | 0-2,0 | 2,1-3,4 | 3,5-5,0 | 5,1-7,0 | 7,1-12,0 | 12,1-16,0 |
| 25' | 16 | 16 | 16 | 16 | 14 | 14 |
| 50' | 16 | 16 | 16 | 14 | 14 | 12 |
| 100' | 16 | 16 | 14 | 12 | 10 | — |

**Utilisé sur circuit de calibre 12 – 20 A.

NOTE : AWG = American Wire Gauge

Pour les travaux à l'extérieur, utiliser un cordon prolongateur spécialement conçu à cet effet. La gaine des cordons de ce type porte l'inscription « W-A » ou « W ».

Avant d'utiliser un cordon prolongateur, vérifier que ses fils ne sont ni détachés ni exposés et que son isolation n'est ni coupée, ni usée.

⚠ AVERTISSEMENT :

Maintenir le cordon prolongateur à l'écart de la zone de travail. Lors du travail avec un cordon électrique, placer le cordon de manière à ce qu'il ne risque pas de se prendre dans les pièces de bois, outils et autres obstacles. Ne pas prendre cette précaution peut entraîner des blessures graves.

⚠ AVERTISSEMENT :

Vérifier l'état des cordons prolongateurs avant chaque utilisation. Remplacer immédiatement tout cordon endommagé. Ne jamais utiliser un outil dont le cordon d'alimentation est endommagé car tout contact avec la partie endommagée pourrait causer un choc électrique et des blessures graves.

CONNEXION ÉLECTRIQUE

Cet outil est équipé d'un moteur électrique de précision. Elle doit être branchée uniquement sur une **alimentation 120 V, c.a. (courant résidentiel standard), 60 Hz**. Ne pas utiliser cet produit sur une source de courant continu (c.c.). Une chute de tension importante causerait une perte de puissance et une surchauffe du moteur. Si l'outil ne fonctionne pas une fois branché, vérifier l'alimentation électrique.

VITESSE ET CÂBLAGE

La vitesse à vide de cet produit est d'environ 5 000 r/min (RPM). La vitesse n'est pas constante et elle diminue sous une charge ou en présence d'une baisse de tension. Le câblage de l'atelier est aussi important que la puissance nominale du moteur. Une ligne conçue seulement pour l'éclairage ne peut pas alimenter correctement le moteur d'un outil électrique. Un fil électrique d'une capacité suffisante pour une courte distance ne le sera pas nécessairement pour une distance plus longue. Une ligne dont la capacité est suffisante pour un outil électrique ne l'est pas nécessairement pour deux ou trois.

INSTRUCTIONS DE MISE À LA TERRE

Ce produit doit être fondé. En cas de problème de fonctionnement ou de panne, la mise à la terre fournit un chemin de résistance au courant électrique, pour réduire le risque de choc électrique. Cet produit est équipé d'un cordon électrique avec conducteur et fiche de mise à la terre. Le cordon doit être branché sur une prise correctement installée et mise à la terre conformément à tous les codes et réglementations locaux en vigueur.

Ne pas modifier la fiche fournie. Si elle ne peut pas être insérée dans la prise secteur, faire installer une prise adéquate par un électricien qualifié.

⚠ AVERTISSEMENT :

L'usage d'un cordon prolongateur incorrect peut présenter des risques de choc électrique. Si le cordon doit être réparé ou remplacé, ne pas connecter le fil de terre de l'outil sur une borne sous tension. Le fil à gaine verte, avec ou sans traceur jaune est le fil de terre.

Consulter un électricien qualifié ou le personnel de service si les instructions de mise à la terre ne sont pas bien comprises, ou en cas de doute au sujet de la mise à la terre.

Tout cordon endommagé doit être réparé ou remplacé immédiatement.

Ce produit est pour l'usage sur un nominal 120 circuit de volt et a un fonder bouche similaire au bouchon illustré dans la figure 1. Seulement connecter le produit à une sortie ayant la même configuration comme le bouchon. Ne pas utiliser un adaptateur avec ce produit.

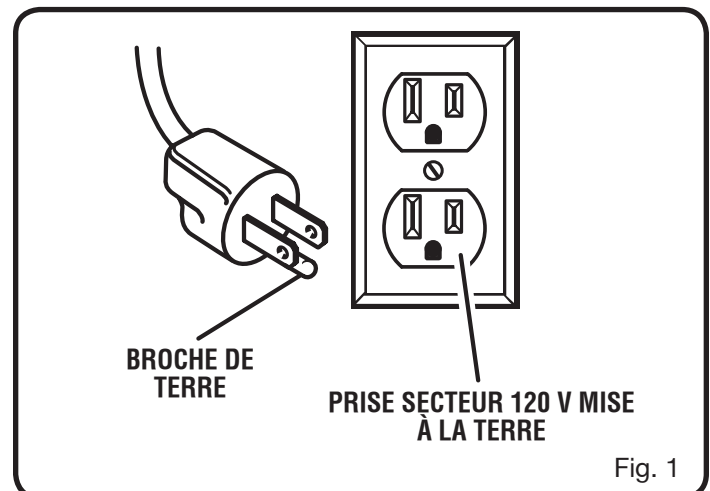


Fig. 1

GLOSSAIRE

Griffes antirebond (scies à table et radiales)

Dispositifs qui, s'ils sont correctement installés et entretenus, sont conçus pour empêcher que la pièce coupée soit propulsée en direction de l'opérateur durant la refente.

Axe

Pièce sur laquelle une lame ou un outil de coupe est monté.

Coupe en biseau

Coupe effectuée avec la lame sur toute position autre que perpendiculaire (90°) à la table.

Chanfrein

Coupe en biseau effectuée sur l'extrémité (ou une partie de l'extrémité) d'une pièce, de manière à ce qu'il présente un angle autre que 90°.

Coupe composée

Coupe transversale présentant un angle d'onglet et un angle de biseau.

Coupe transversale

Coupe ou profilage effectué en travers du grain de la pièce.

Tête de coupe (raboteuses et raboteuses/dégauchisseuses)

Pièce rotative munie de lames réglables. La tête de coupe enlève du matériau de la pièce.

Rainage (scies à table et scies à onglets composés)

Entaille qui produit une rainure ou gorge de forme rectangulaire dans la pièce de bois.

Cale-guide (scies à table)

Dispositif utilisé pour faciliter le contrôle de la pièce à couper en la guidant contre la table ou le guide lors des coupes longitudinales.

pi/min ou coups/min

Nombre de pieds par minute (ou coups par minute). Terme utilisé en référence au mouvement de la lame.

Main levée

Exécution d'une coupe sans que la pièce soit soutenue par un guide longitudinal, un guide d'onglet ou autre dispositif.

Gomme

Résidu collant formé par la sève du bois.

Talon

Alignement de la lame par rapport au guide.

Trait de scie

Quantité de matériau éliminé par la lame lors de coupes traversantes ou l'entaille produite lors de coupes non traversantes ou partielles.

Rebond

Réaction dangereuse se produisant lorsque la lame est pincée ou bloquée et projetant la pièce en train d'être coupée dans le sens de la rotation de la lame.

Coupe d'onglet

Coupe effectuée avec la lame sur toute position autre que perpendiculaire (90°) à la table.

Coupes non traversantes (scies à table et scies à onglets composés)

Toute coupe avec laquelle la lame ne traverse pas complètement la pièce. Il s'agit de faire une coupe sans que la lame coupe la pièce à travailler en deux.

Trou pilote (perceuses à colonne et scie à découper)

Petit trou pratiqué dans une pièce servant de guide pour assurer la précision d'un trou de plus grand diamètre ou pour l'insertion d'une lame de scie à découper.

Blocs poussoirs (pour dégauchisseuses/raboteuses)

Dispositifs utilisés pour pousser le matériau contre la tête de coupe lors de toute opération. Ce dispositif aide à tenir la main de l'opérateur bien à l'écart de la lame.

Blocs poussoirs et bâtons poussoirs (pour scies à table)

Dispositifs utilisés pour pousser le matériau contre la lame lors de la coupe. Toujours utiliser un poussoir (et non un bloc) pour effectuer une refente étroite sans l'aide d'un gabarit ou d'un autre accessoire semblable. Il est possible d'utiliser un bloc pour effectuer une refente étroite si un gabarit ou un autre accessoire semblable est utilisé. Ce dispositif aide à tenir la main de l'opérateur bien à l'écart de la lame.

Feuillure

Entaille située au bout ou sur le bord de la pièce de bois qui y produit une rainure ou une gorge de forme rectangulaire.

Refente (scies à table et scies à ruban)

Opération de coupe destinée à réduire l'épaisseur d'une pièce pour en produire plusieurs, plus minces.

Résine

Résidu collant formé par la sève du bois durcie.

Tours minute (r/min ou RPM)

Nombre de rotations effectuées par un objet en une minute.

Coupe longitudinale ou refente (scies à table)

Opération de coupe dans le sens de la longueur de la pièce et normalement dans le sens du grain du bois.

Couteau diviseur/écarteur (scies à table)

Pièce de métal légèrement plus mince que la lame, gardant le trait de scie ouvert pour empêcher le rebond.

Trajectoire de la lame de scie

Zone au-dessus, au-dessous, en avant ou en arrière de la lame. En ce qui concerne la pièce, la partie qui sera ou a été coupée par la lame.

Sifflet (raboteuses)

Enfoncement à l'extrémité d'une pièce causé par les lames de la tête de coupe lorsque la pièce n'est pas correctement soutenue.

Effiler la Coupe

Une coupe où le matériel est coupé à une ancho différente au début de la coupe de la fin.

Coupe traversante

Toute opération de coupe avec laquelle la lame traverse toute l'épaisseur de la pièce. Cette sorte de coupe séparera une pièce à travailler en deux morceaux.

Pièce ou matériau

L'article sur lequel le travail est effectué.

Table

Surface sur laquelle la pièce repose lors des opérations de coupe, de perçage, de rabotage ou de ponçage.

CARACTÉRISTIQUES

FICHE TECHNIQUE

Axe de lame.....16 mm (5/8 po)
Diamètre de la lame.....254 mm (10 po)
Inclinaison de la lame.....0° - 45°
Tension 120 V, c.a. seulement, 60 Hz

Alimentation..... 15 A
Vitesse à vide 5 000 r/min (RPM)
Profondeur de coupe à 0° : 76,2 mm (3 po)
Profondeur de coupe à 45° : 63.5 mm (2-1/2 po)

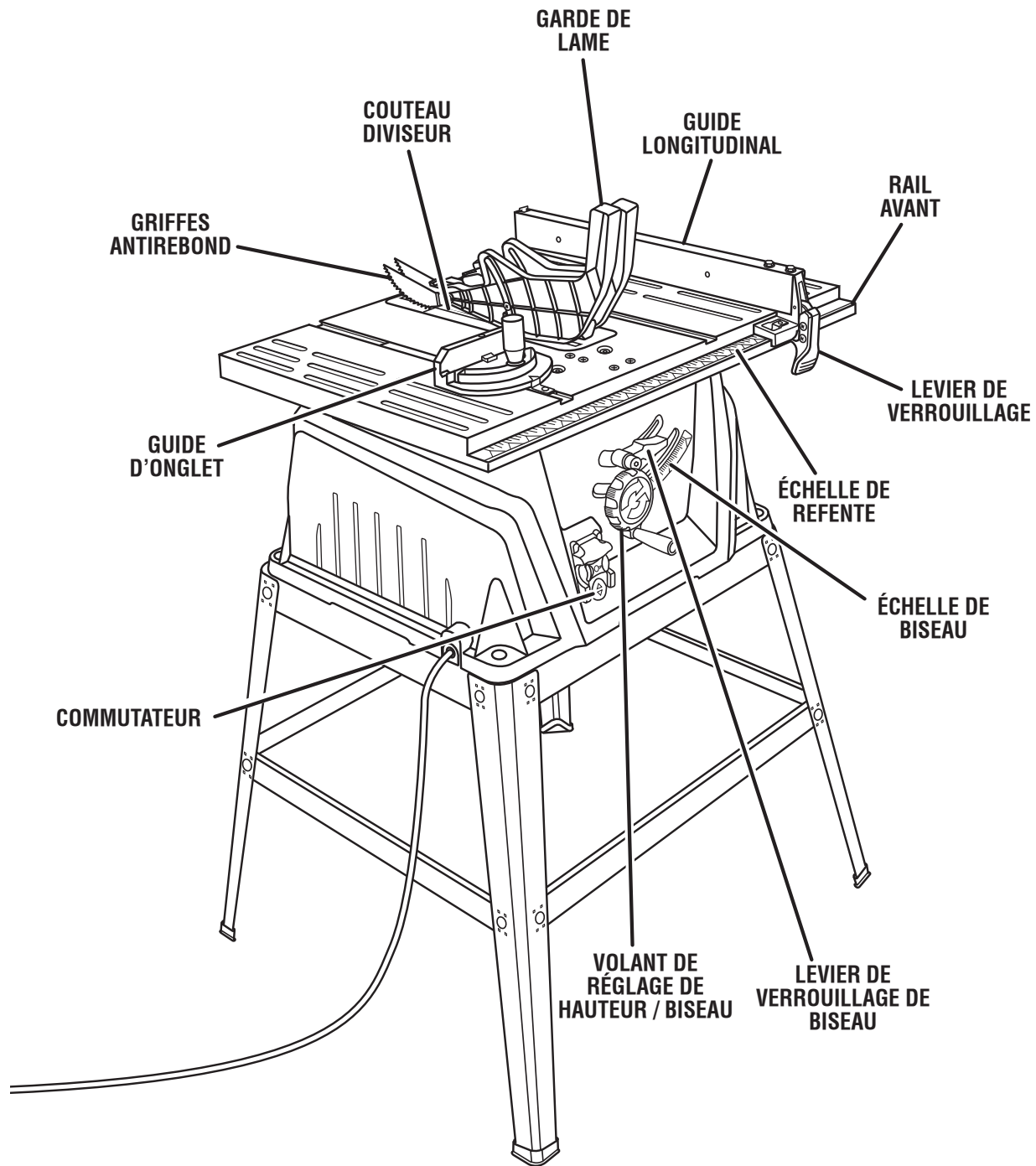


Fig. 2

CARACTÉRISTIQUES

POUR SE FAMILIARISER AVEC LA SCIE À TABLE

Voir la figure 2.

L'utilisation sûre de ce produit exige une compréhension des renseignements figurant sur l'outil et contenus dans le manuel d'utilisation, ainsi qu'une bonne connaissance du projet entrepris. Avant d'utiliser ce produit, se familiariser avec toutes ses fonctions et règles de sécurité.

GRIFFES ANTIREBOND – Le rebond pose un danger : la pièce de bois est projetée vers l'utilisateur. Les dents des détachable griffes antirebond sont orientée à l'écart de la pièce. Si la pièce est tirée en direction de l'opérateur, les griffes mordent dans le bois pour empêcher ou réduire le rebond.

ÉCHELLE DE BISEAU – Le échelle facile à lire du devant du bâti indique l'angle exact de la lame.

LAME – Pour une performance maximum, il est recommandé d'utiliser la lame combinée à carbure de 10 po (254 mm) fournie avec la scie. La lame est élevée et abaissée au moyen du volant de réglage de hauteur / biseau. Les angles de biseau sont verrouillés au moyen du levier de verrouillage de biseau. Des lames supplémentaires de même haute qualité sont disponibles pour des tâches spécifiques telles que le sciage en long. Vous pouvez trouver toute l'information chez votre concessionnaire local.

La trait de scie lame doit être dans les limites affranchies sur le couteau diviseur.



AVERTISSEMENT :

Ne pas utiliser de lames dont la vitesse de rotation nominale est inférieure à celle de l'outil. Le non-respect de cet avertissement pourrait entraîner des blessures graves.

GARDE DE LAME - Toujours laisser la détachable garde de lame abaissée sur la lame pour des coupes traversantes.

LEVIER DE VERROUILLAGE DE BISEAU – Ce levier, placé juste au-dessous de la surface de la table de travail à l'avant du bâti, verrouille le réglage d'angle de la lame.

VOLANT DE RÉGLAGE DE HAUTEUR / BISEAU – Situé sur le devant du bâti, ce volant permet d'abaisser et relever la lame pour effectuer les réglages ou les remplacements. Il permet également de régler facilement l'angle de biseau.

GUIDE D'ONGLET – Le guide d'onglet aligne le bois pour les coupes transversales. Le rapporteur facile à lire indique l'angle exact pour la coupe de l'onglet.

RAINURES DE GUIDE D'ONGLET – Le guide d'onglet se déplace dans les rainures de la table de scie.

GUIDE LONGITUDINAL - Un robuste guide métallique, verrouillé par une poignée, guide la pièce à couper.

ÉCHELLE DE REFENTE - Sur le rail avant, l'échelle de refente facile à lire donne des mesures précises pour les coupes longitudinales.

COUTEAU DIVISEUR - Pièce de détachable métal de l'ensemble de garde de lame, légèrement plus mince que la lame, gardant le trait de scie ouvert pour empêcher le rebond. Quand dans le hors du passage tête de coupe, ou « en haut » la position, le c'est plus haut que la lame de scie. Quand dans le coupes non traversante, ou « en bas » la position, le c'est au dessous des dents de lame de scie.

ENSEMBLE DE COMMULATEUR - La scie à table est dotée d'un ensemble de commutateur facile d'accès, se trouvant au-dessous du rail avant. Pour verrouiller le commutateur en position **ARRÊT**, retirer la clé du commutateur. Placer la clé dans un lieu inaccessible aux enfants et personnes non qualifiées pour utiliser l'outil.

CARACTÉRISTIQUES

COMPOSANTS FONCTIONNELS

La partie supérieure de la lame traverse la table et elle est entourée par un insert appelé plaque à gorge. La hauteur de la lame est ajustée par un volant de réglage situé à l'avant du bâti. Pour faciliter le travail avec des planches de grande taille, la scie à table a des rails sur chaque côté. Des instructions détaillées pour les coupes élémentaires se trouvent dans la section *Utilisation* de ce manuel : coupes transversales, coupes d'onglet, coupes en biseau et coupes composées.

Le guide longitudinal permet de positionner les pièces à couper dans le sens de la longueur. Une échelle graduée à l'avant de la table de la scie indique la distance entre le guide longitudinal et la lame.

Il est impératif d'utiliser la garde de lame pour toutes les coupes traversantes. L'ensemble de garde de lame comprend : le couteau diviseur, les griffes antibond et la garde de lame.

ENSEMBLE DE COMMUTATEUR

Voir la figure 3.

Ce produit est équipé d'un ensemble de commutateur avec dispositif de verrouillage intégré. Ce dispositif est conçu pour empêcher l'utilisation non autorisée et potentiellement dangereuse par des enfants ou personnes non compétentes.

POUR METTRE LA SCIE EN MARCHÉ :

- La clé étant insérée dans le commutateur, le relever pour mettre la scie en **MARCHE (I)**.

POUR ARRÊTER LA SCIE :

- Abaisser le commutateur en position **d'ARRÊT (O)**.

POUR VERROUILLER LA SCIE :

- Abaisser le commutateur.
- Retirer la clé du commutateur et la ranger en lieu sûr.

⚠ AVERTISSEMENT :

Lorsque l'outil n'est pas en usage, **TOUJOURS** retirer la clé et la ranger en lieu sûr. En cas de panne secteur, mettre le commutateur en position **d'ARRÊT (O)** et retirer la clé. Ceci empêchera un démarrage accidentel lorsque le courant est rétabli.

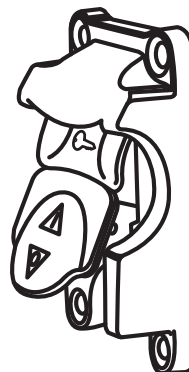
⚠ AVERTISSEMENT :

TOUJOURS s'assurer que la pièce n'est pas en contact avec la lame avant de mettre le commutateur de l'outil en position de marche. Ne pas prendre cette précaution peut causer le rebond de la pièce en direction de l'opérateur et d'entraîner des blessures graves.

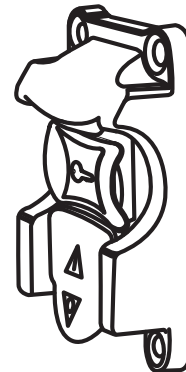
⚠ AVERTISSEMENT :

Pour éviter un démarrage accidentel, **TOUJOURS** s'assurer que le commutateur est en position **d'ARRÊT (O)** avant de brancher l'outil.

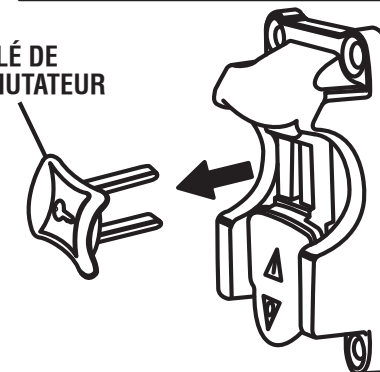
COMMUTATEUR EN POSITION DE MARCHÉ



COMMUTATEUR EN POSITION D'ARRÊT



CLÉ DE COMMUTATEUR



COMMUTATEUR EN POSITION VERROUILLÉE

Fig. 3

OUTILS NÉCESSAIRES

Les outils suivants (non inclus ou dessiné pour escalader) sont nécessaires pour effectuer l'assemblage et les réglages :

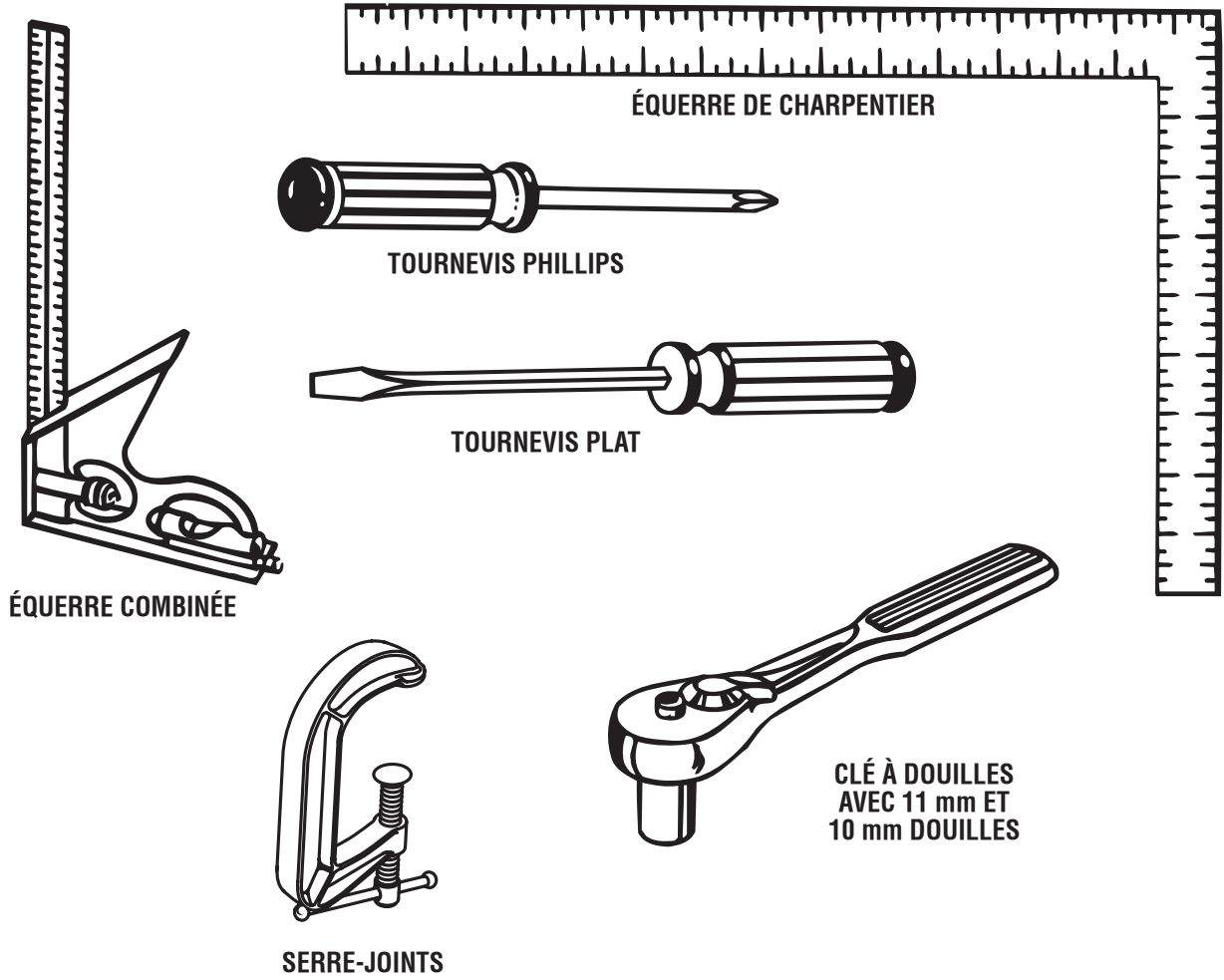


Fig. 4

PIÈCES DÉTACHÉES

Les outils suivants (non inclus ou dessiné pour escalader) sont nécessaires pour effectuer l'assemblage et les réglages :

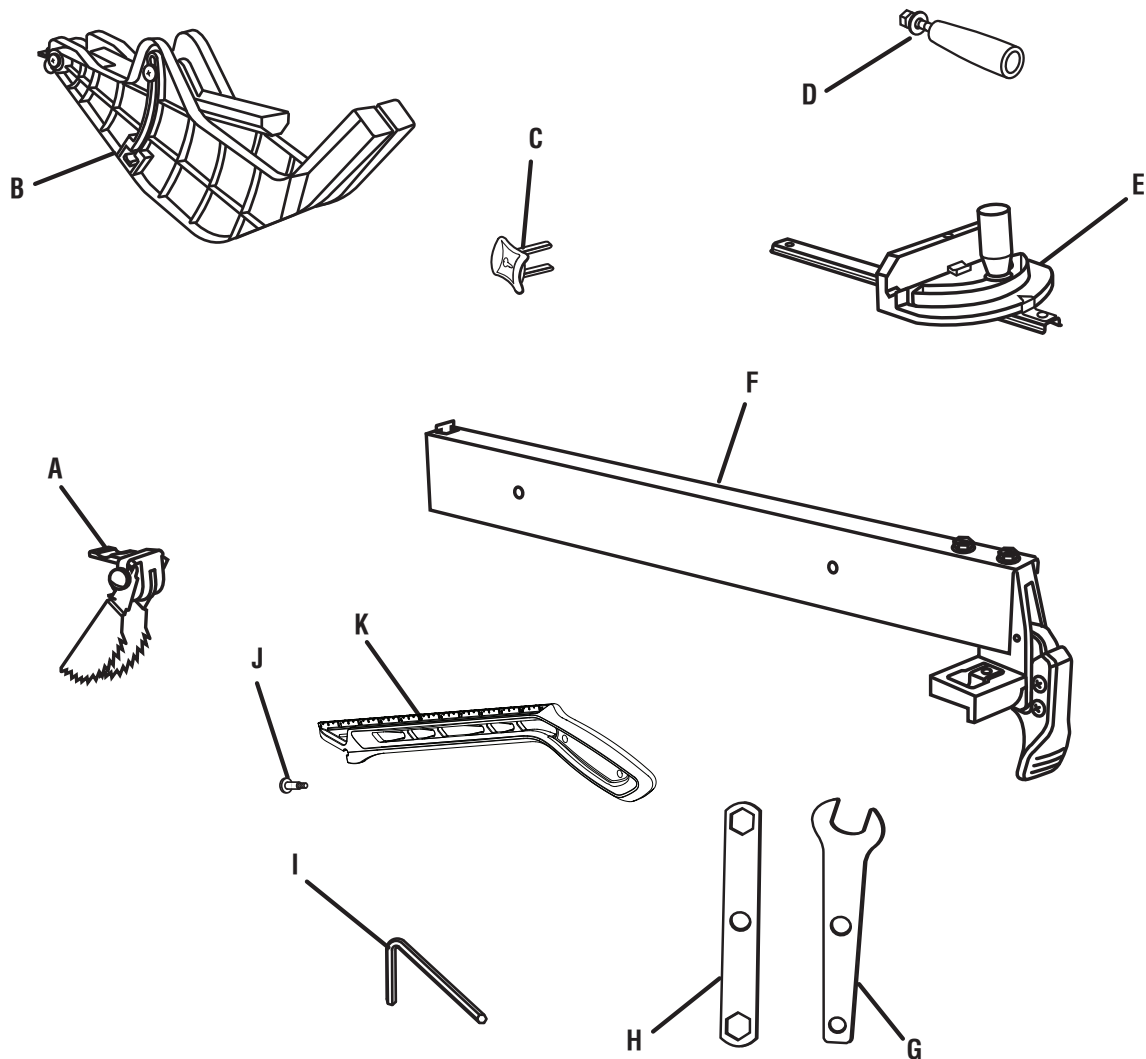


Fig. 5

| | | | |
|------------------------------|---|--|---|
| A. Griffes antibond | 1 | G. Ouvrir clé plate..... | 1 |
| B. Garde de lame | 1 | H. Fermeture de clé de lame | 1 |
| C. Clé de commutateur | 1 | I. Clé hexagonale (5 mm) | 1 |
| D. Ensemble de poignée | 2 | J. Vis du rangement du bâton poussoir..... | 2 |
| E. Guide d'onglet | 1 | K. Bâton poussoir..... | 1 |
| F. Guide longitudinal | 1 | | |

PIÈCES DÉTACHÉES

Les pièces suivantes sont fournies avec votre scie à table support :

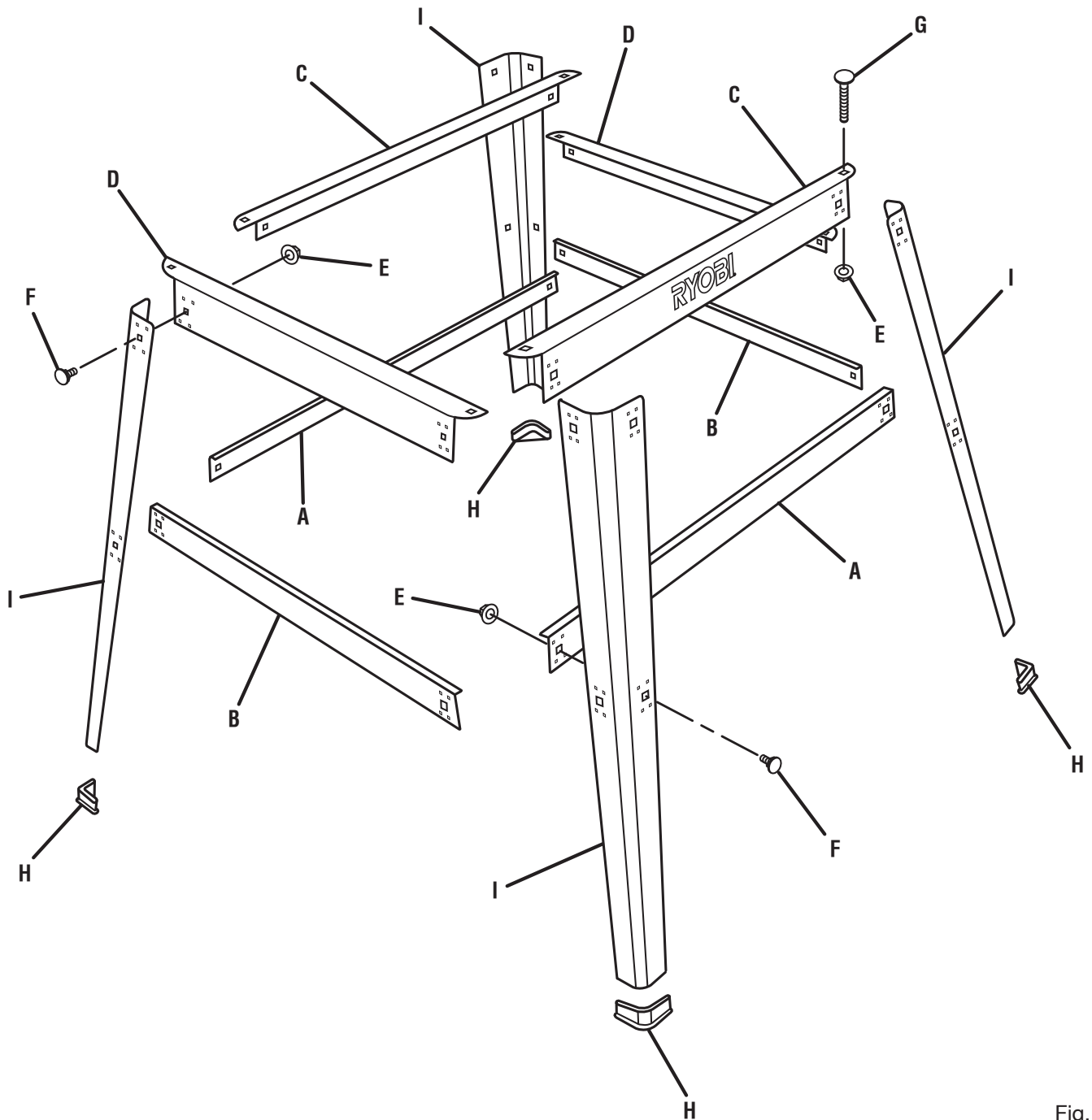


Fig. 6

| | | | |
|---------------------------------------|----|--|----|
| A. Traverse inférieure | 2 | F. Boulon de carrossier (1/4 po. - 20 x 1/2 po) | 16 |
| B. Traverse latérale inférieure | 2 | G. Boulon de carrossier (1/4 po - 20 x 1-3/8 po)..... | 4 |
| C. Traverse supérieure | 2 | H. Patins | 4 |
| D. Traverse latérale supérieure | 2 | I. Pied | 4 |
| E. Écrou hexagonal | 20 | | |

ASSEMBLAGE

DÉBALLAGE

Ce produit doit être assemblé.

- Sortir la scie du carton avec précaution et la poser sur un plan de travail stable.

NOTE : Cet outil est lourd. Pour éviter des problèmes lombaires, garder les genoux pliés, soulever avec les jambes, pas avec le dos et demander de l'aide lorsque nécessaire.

AVERTISSEMENT :

Ne pas utiliser le produit si, en le déballant, vous constatez que des éléments figurant dans la liste des pièces détachées sont déjà assemblés. Certaines pièces figurant sur cette liste n'ont pas été assemblées par le fabricant et exigent une installation. Le fait d'utiliser un produit qui a été assemblé de façon inadéquate peut entraîner des blessures.

- Examiner soigneusement l'outil pour s'assurer que rien n'a été brisé ou endommagé en cours de transport.
- Ne pas jeter les matériaux d'emballage avant d'avoir soigneusement examiné l'outil, s'être assuré qu'aucune pièce ne manque et avoir procédé à un essai satisfaisant.

NOTE : Retirer le bloc de mousse placé entre le boîtier de la scie et le moteur par biseau premièrement la lame (voir la page 26).

- La scie est réglée en usine pour effectuer une coupe précise. Après l'avoir assemblée, vérifier sa précision. Si les réglages ont été modifiés en cours d'expédition, voir les procédures spécifiques présentées dans ce manuel.
- Si des pièces sont manquantes ou endommagées, appeler le 1-800-525-2579.

AVERTISSEMENT :

Si des pièces manquent ou sont endommagées, ne pas utiliser cet outil avant qu'elles aient été remplacées. Le fait d'utiliser ce produit même s'il contient des pièces endommagées ou s'il lui manque des pièces peut entraîner des blessures graves.

AVERTISSEMENT :

Ne pas essayer de modifier cet outil ou de créer des accessoires non recommandés pour l'outil. De telles altérations ou modifications sont considérées comme un usage abusif et peuvent créer des conditions dangereuses, risquant d'entraîner des blessures graves.

AVERTISSEMENT :

Ne pas brancher sur le secteur avant d'avoir terminé l'assemblage. Le non-respect de cet avertissement peut causer un démarrage accidentel, entraînant des blessures graves.

AVERTISSEMENT :

Ne pas soulever la scie sans aide. La tenir près du corps. Garder les genoux pliés et soulever en utilisant les jambes, pas le dos. Ne pas respecter ces mesures de précaution peut entraîner des problèmes lombaires.

AVERTISSEMENT :

Ne jamais se tenir en ligne avec la lame ou laisser les mains approcher la lame à moins de 76,2 mm (3 po). Ne pas essayer de passer la main au-dessus ou au-delà de la lame. Le non-respect de cette mise en garde peut entraîner des blessures graves.

AVERTISSEMENT :

Pour éviter des blessures graves, toujours s'assurer que la scie à table est solidement fixée sur un établi ou un stand approuvé. NE JAMAIS utiliser la scie posée sur le sol.

TROUS DE FIXATION

La scie à table doit être montée solidement sur un plan de travail ferme, tel qu'un établi ou un stand. Pour ce faire, la base de la scie comporte quatre trous.

Pour le montage sur un établi, retirer les boutons de verrouillage couvrant les trous de boulons et insérer les boulons qui sont assez longs pour traverser la base de la scie, les rondelles frein, les écrous et l'établi ou autre surface de fixation. Serrer les boulons ou vis fermement. Une fois le montage terminé, vérifier soigneusement l'établi pour s'assurer qu'aucun mouvement ne peut se produire en cours d'utilisation. Si l'établi bascule, glisse ou se déplace, l'assujettir sur le sol avant d'utiliser la scie.

Pour le montage sur le stand, lire les procédures spécifiques expliquées plus loin dans cette section.

ASSEMBLAGE

ASSEMBLAGE DU STAND

Voir la figure 7.

Il est préférable de monter le support dans l'aire où la scie sera utilisée. Si vous avez un doute quant à la description d'une pièce, reportez-vous au dessin. Si des pièces manquent, reportez le montage jusqu'au moment où la ou les pièces manquantes seront obtenues.

- Ouvrez le sachet de quincaillerie:
16 boulons (1/4 po -20 x 1/2 po)
16 écrous hex (1/4 po - 20)
- Prenez les 4 montants et les 8 traverses des pièces détachées.
- Placez une traverse supérieure à l'intérieur de 2 montants, la partie large des pieds se dirigeant vers le haut. (Les supérieures comportent deux grands trous à chaque extrémité.) Assurez-vous que les cavités sur le pied s'alignent avec les petits trous de la traverse.
- Alignez les gros trous de la traverse et des pieds. Insérez les boulons. Ajoutez et des écrous hex. et serrez ces derniers à la main. Répétez cette opération pour l'autre traverse supérieure courte. Ceci représente les ensembles de montants avant et arrière.
- Pour les côtés, installez une traverse supérieure latérale sur deux pieds. Ajoutez la boulonnerie en la serrant avec les doigts.
- Utilisez ces mêmes techniques pour installer les traverses inférieures. Serrez tous les écrous hex. avec une clé à douilles.
- Installer les patins au bas de chaque pied.
- Déplacez le support jusqu'à l'endroit voulu.

MONTAGE DU SUPPORT SUR LA BASE DE LA SCIE

Voir la figure 8.

- Ouvrez le sachet de quincaillerie:
4 boulons à collet carré (1/4 po -20 x 1-3/8 po)
4 écrous à six pans (1/4 po-20)
- NOTE :** Cette boulonnerie se trouve dans le sachet de quincaillerie du support et des pieds réglables.
- Placez la base de la scie sur le support. Alignez les trous de la table avec ceux des traverses d'extrémité.
- Placer un foulon dans chaque trou. L'assujettir avec un écrou à six pans. Serrez-le à la main.
- Répétez cette opération pour les trois autres trous. Serrer toute la boulonnerie fermement avec le clé à douilles.

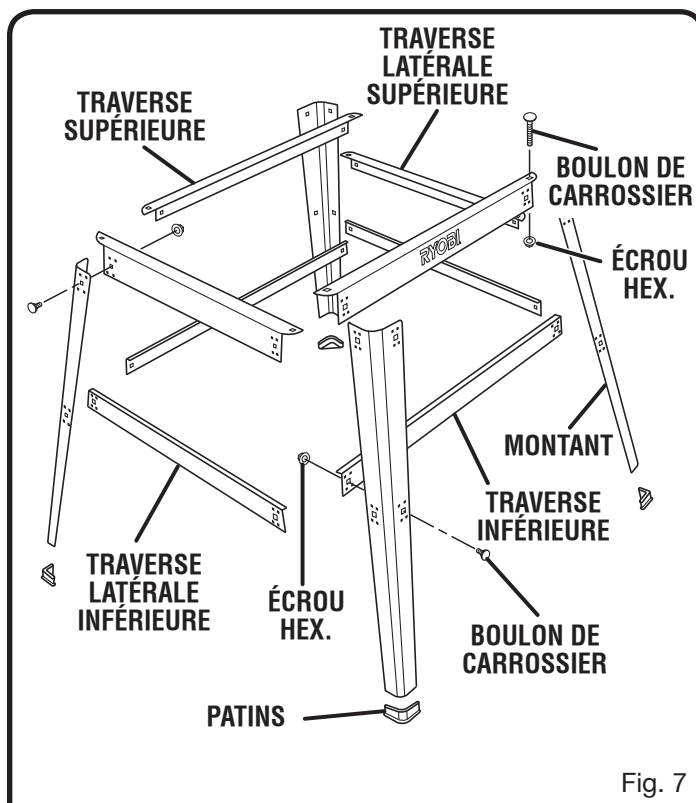


Fig. 7

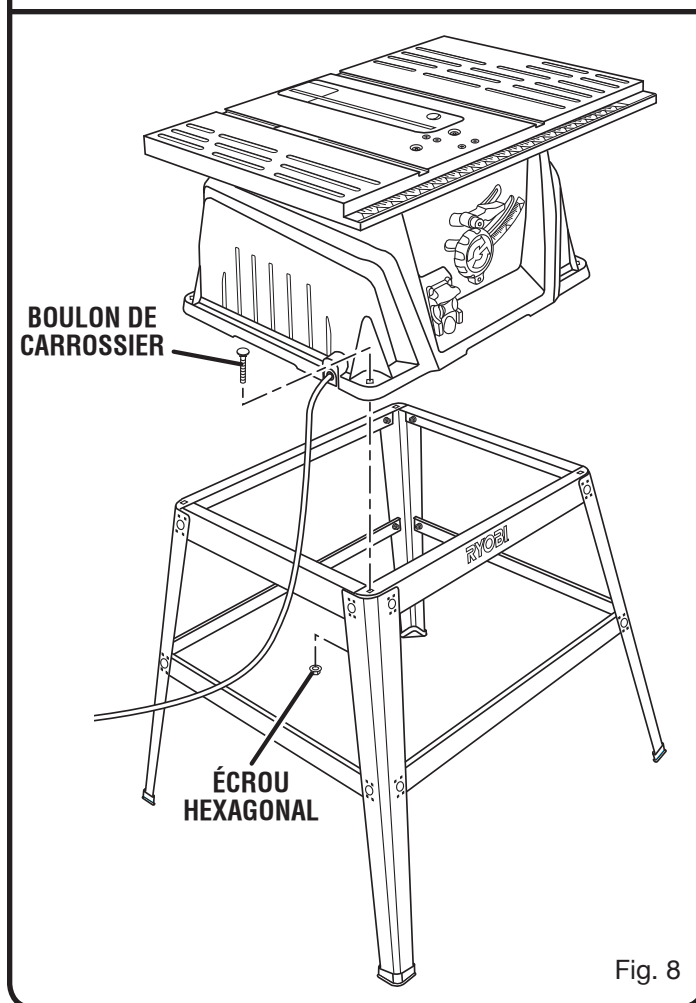


Fig. 8

ASSEMBLAGE

INSTALLATION DE LA POIGNÉE

Voir la figure 9.

- Tenir fermement l'écrou en nylon et tourner la vis vers la gauche pour retirer complètement l'écrou.

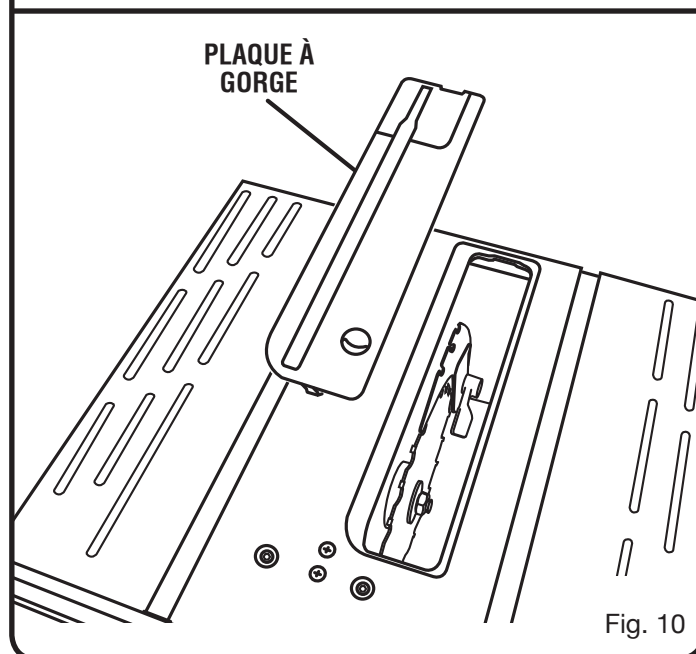
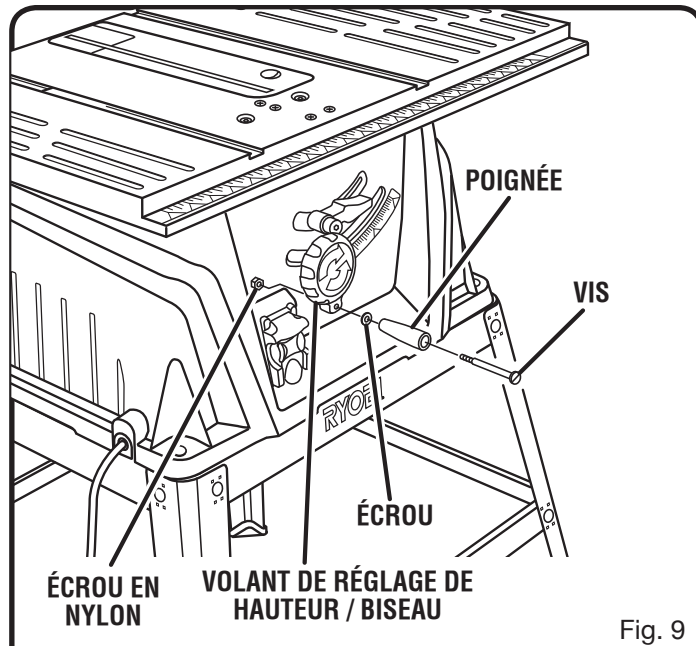
NOTE : Ne pas retirer la vis de la poignée.

- Insérer l'écrou en nylon dans le trou en retrait du volant de réglage de hauteur / biseau et le maintenir en place.
- Insérer la poignée y vis dans le trou du volant de réglage de hauteur / biseau.
- Serrer la vis en la tournant vers la droite avec un tournevis plat.

RETRAIT / REMPLACEMENT DE LA PLAQUE À GORGE

Voir la figure 10.

- Abaisser la lame en tournant le volant de réglage de hauteur / biseau vers la gauche.
- Pour enlever la plaque d'obturation, placer votre index doigt dans le trou et puis soulevez l'extrémité avant et tirez-la vers l'avant de la scie.
- Pour réinstaller la plaque à gorge, glisser la languette dans la fente de l'arrière de la scie et pousser vers le bas et obtenir à sa place.



ASSEMBLAGE

POUR CHANGER ENTRE UNE COUTEAU DIVISEUR

Voir la figure 11.

Cette scie est expédiée avec le couteau diviseur a placé dans la coupe de non traversante ou « en bas » la position et doit être en « en haut » la position pour toutes autres opérations de coupe.

- Débrancher la scie.

Placer en la position « en haut » pour tout par les coupes traversante :

- Retrait de la plaque à gorge.
- Élever la lame de scie en tournant le volant de réglage de hauteur / biseau vers la droite.
- Ouvrir le levier de dégagement en le tirant en haut.
- S'emparer de le couteau diviseur et le tirer vers le côté droit de la scie pour relâcher le couteau diviseur du serrement de couteau diviseur.
- Le tire le couteau diviseur en haut jusqu'à ce que es goupilles internes sont engagées et l'écarteur c'est ci-dessus de la lame de scie.
- Verrouiller le levier de dégagement en appuyant le levier.
- Réinstallez de la plaque à gorge.

Placer en la position « en bas » pour tout par les coupes non traversante :

- Retirer de la plaque à gorge.
- Élever la lame de scie en tournant le volant de réglage de hauteur / biseau vers la droite.
- Ouvrir le levier de dégagement en le tirant en haut.
- S'emparer de le couteau diviseur et le tirer vers le côté droit de la scie pour relâcher le couteau diviseur du serrement de couteau diviseur.
- Appuyer le couteau diviseur jusqu'à ce que es goupilles internes sont engagées et l'écarteur au-dessus de la lame de scie.
- Le tire le couteau diviseur en haut jusqu'à ce que es goupilles internes sont engagées et le couteau diviseur c'est ci-dessus de la lame de scie.
- Verrouiller le levier de dégagement en appuyant le levier.
- Réinstallez de la plaque à gorge.

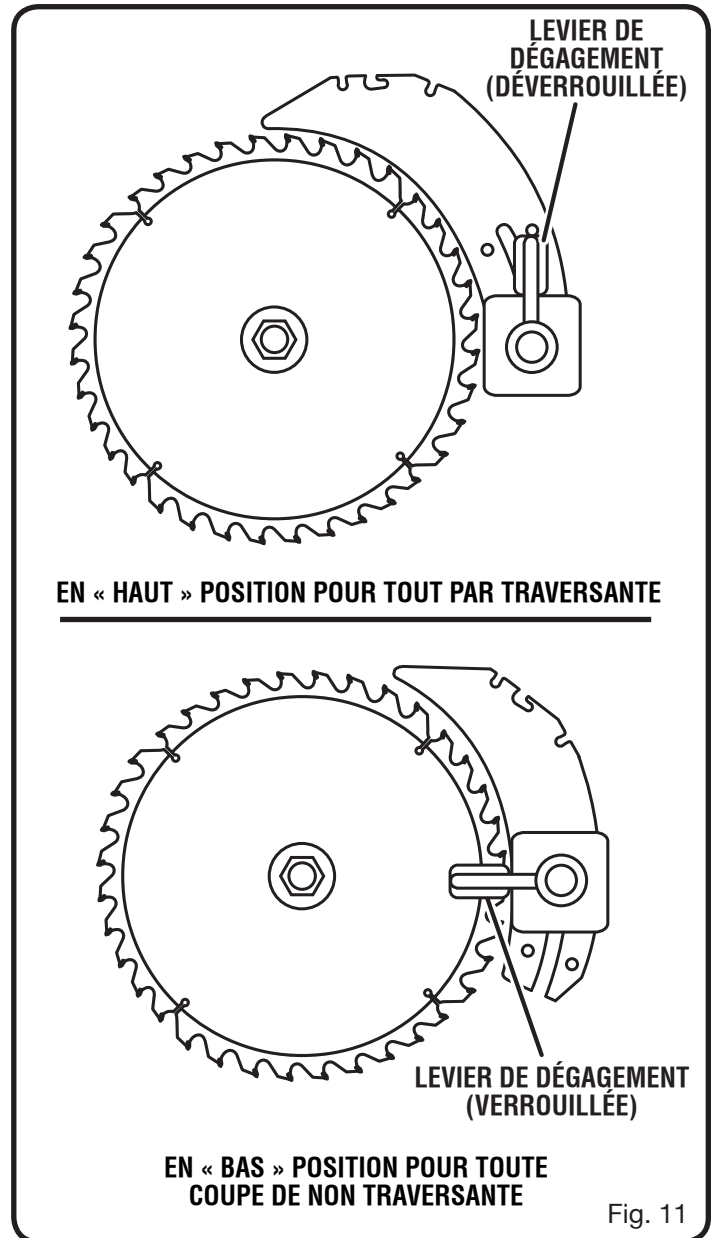


Fig. 11

ASSEMBLAGE

VÉRIFICATION DE L'INSTALLATION DE LA LAME

Voir le figure 12.

AVIS :

Pour que la lame fonctionne correctement, ses dents doivent être orientées vers le bas et l'avant de la scie. Le non respect de cet avertissement pourrait causer un dommage à la lame, la scie, ou la pièce à travailler.

- Débrancher la scie.
- Abaisser la lame et retirer la plaque à gorge.
- S'assurer que le levier de verrouillage de biseau est poussé à fond vers la droite. Relever la lame au maximum en tournant le volant de réglage de hauteur / biseau vers la droite.
- Placer le couteau diviseur en la posición « en haut ».

Pour desserrer la lame :

- Engager la plus des clés plates sur les méplats de l'axe d'entraînement.
- Engager l'extrémité fermée de la plus clé sur écrou de lame. Saisir les deux clés fermement et tirer la plus grande vers l'avant de la machine.

Pour serrer la lame :

- Engager la plus des clés sur les méplats de l'axe d'entraînement.
- Engager l'extrémité fermé de la plus clé sur écrou de lame. Saisir les deux clés fermement et tirer la plus vers l'arrière de la machine. S'assurer que l'écrou de lame est fermement serré. Ne pas trop serrer.
- Remettre la plaque à gorge en place.
- Vérifier que la lame tourne librement, sans toucher quoi que ce soit.

INSTALLATION DE LA PROTÈGE-LAME ET GRIFFES ANTIREBOND

Voir les figures 13 à 15.

⚠ AVERTISSEMENT :

Toujours installer le protège-lame et les griffes antirebond sur le couteau diviseur vers le haut afin de protéger adéquatement la lame. L'installation de composants protecteurs sur le couteau diviseur dans toute autre position nuira au bon fonctionnement du couteau diviseur et augmentera le risque de blessures graves.

⚠ AVERTISSEMENT :

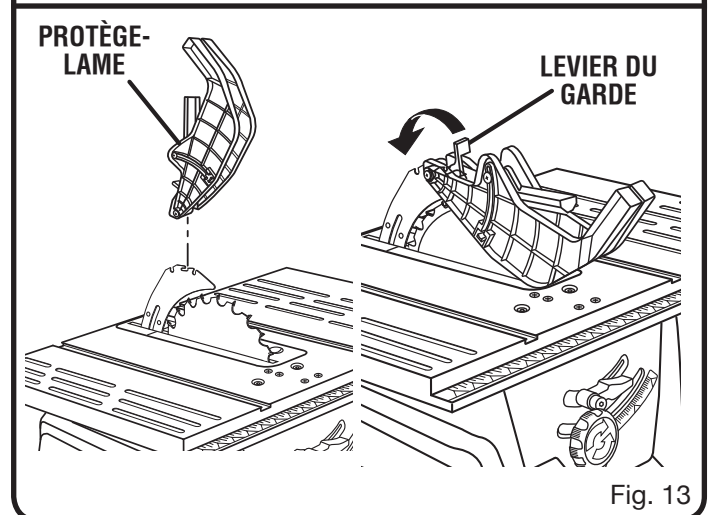
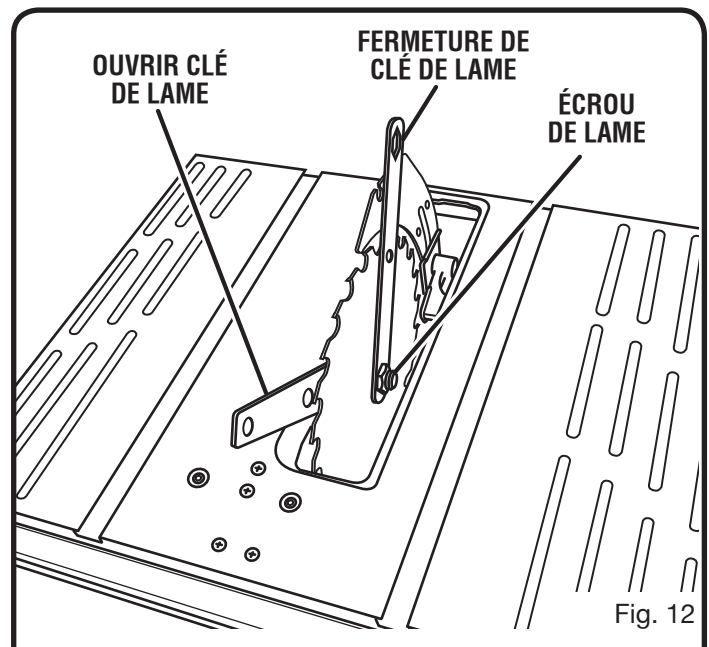
Remplacer des cliquets ternes ou endommagés griffes antirebond Atténuer ou avoir endommagé des griffes ne peut pas arrêter un rebond augmentant les risques de blessures graves.

Les griffes antirebond devraient être seulement installés pour coupes traversante.

- Débrancher la scie.
- Élever la lame de scie en tournant le volant de réglage de hauteur / biseau vers la droite.
- Placer le couteau diviseur en la posición « en haut ».
- Remettre la plaque à gorge en place.

Installation de protège-lame :

- Soulever le levier du garde en haut pour déverrouiller
- Avec le devant du protège-lame a élevé, abaisser le dos du garde dans le trou de milieu le couteau diviseur. appuyer le devant du garde jusqu'à ce que **c'est parallèle à la table** (voir la figure 15). Si le protège-lame n'est pas parallèle la table, le couteau diviseur n'est pas dans « en haut » la position.
- Verrouiller le garde à sa place en appuyant le levier du garde.



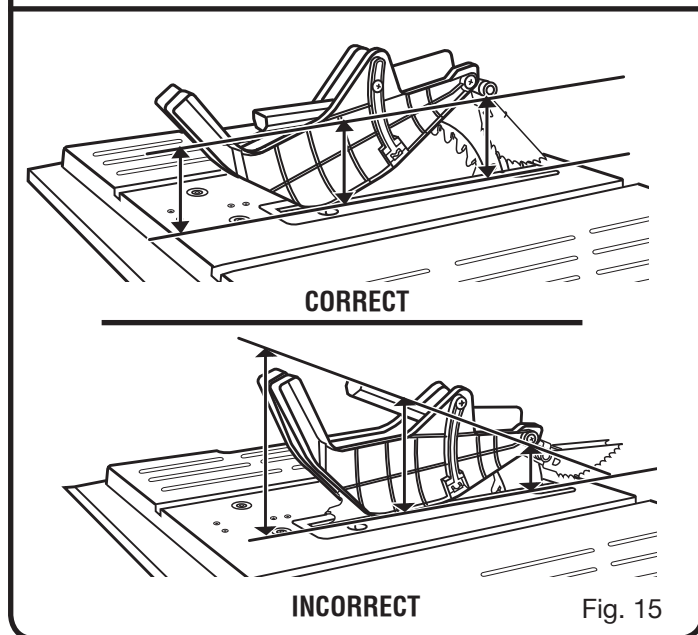
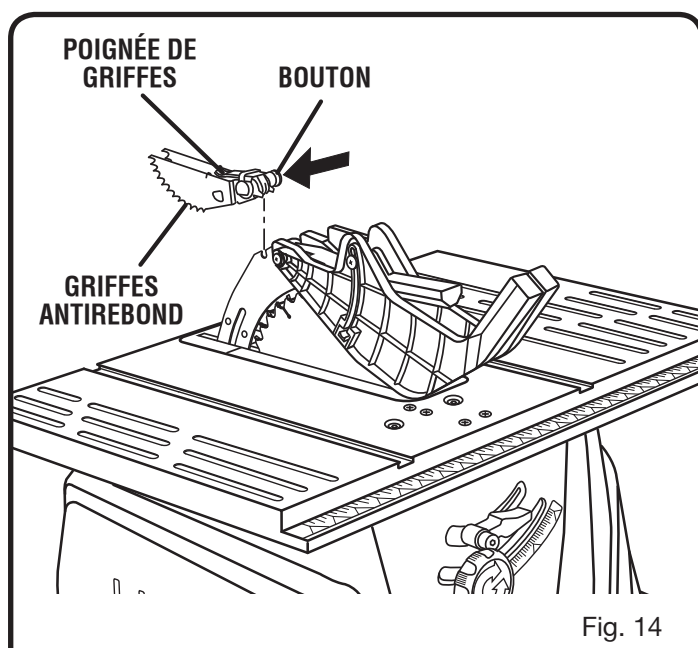
ASSEMBLAGE

NOTE : L'alignement peut être réglé en fonction de différentes largeurs de lame. Voir : **Vérification et alignement du couteau diviseur et la lame.** Vérifier que la garde de lame fonctionne librement, sans heurter d'autres pièces.

Installation la griffes antirebond :

- Appuyer et prise le bouton sur le côté droit la griffes antirbond.
- Aligner le fente dans les griffes sur le dernier trou dans le couteau diviseur.
- Appuyer les poignée de griffes claquer que les pour placer les et relâchez le bouton.

NOTE : Tire la poignée de griffes pour assurer que les griffes sont assurément verrouillés.



VÉRIFICATION ET ALIGNEMENT DU COUPEAU DIVISEUR ET LA LAME

Voir les figures 16 et 17.

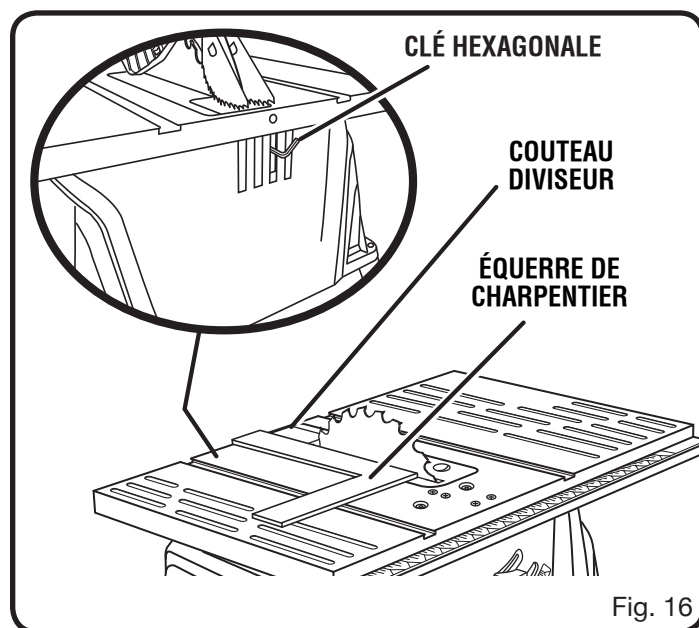
Vérification de l'alignement du couteau diviseur :

- Débrancher la scie.
- Élever la lame de scie en tournant le volant de réglage de hauteur / biseau vers la droite.
- Relever les griffes antirebond et ensemble de protégé-lame. Placer une équerre de charpentier à côté de la lame et ensemble de protégé-lame.

NOTE : Placez l'équerre de charpentier entre les dents à pointes carbure et mesurez à partir de la lame. Cette étape permet de s'assurer que l'équerre de charpentier est bien appliquée contre la lame de l'avant à l'arrière

- La lame de la scie et le couteau diviseur sont alignés lorsque l'équerre de charpentier contacte la lame et le couteau diviseur uniformément, sans laisser d'espace.

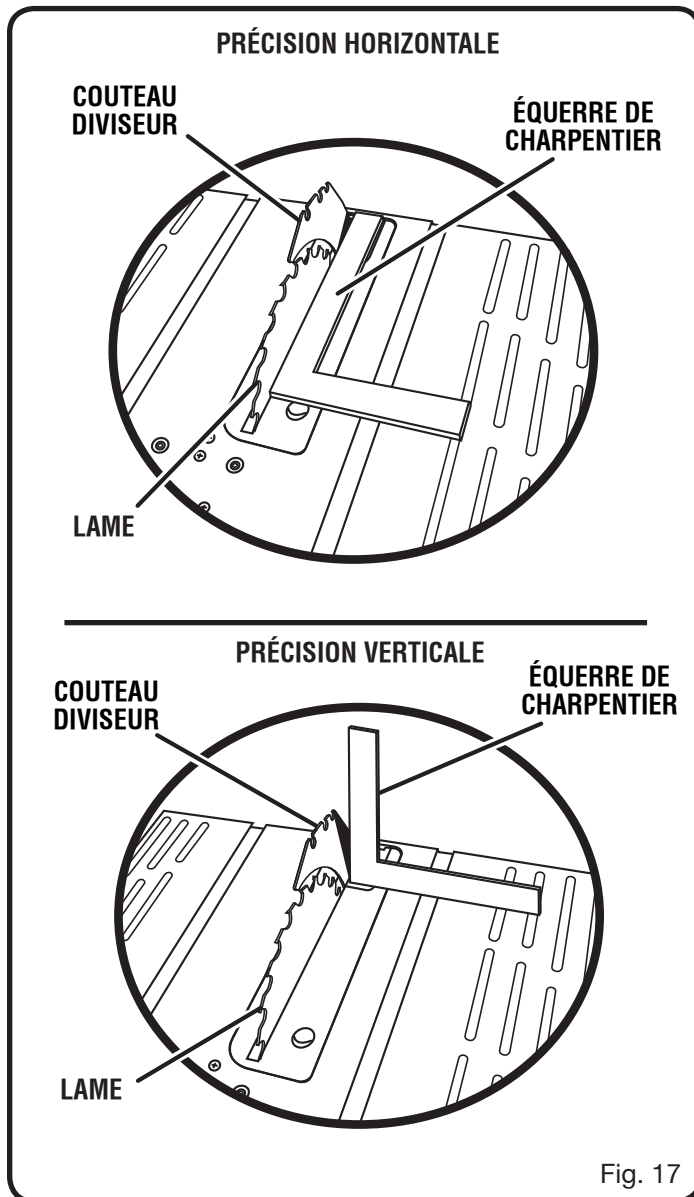
Si le couteau diviseur n'est pas alignée sur la lame, un réglage est nécessaire. Le couteau diviseur doit être dans l'alignement de l'avant vers l'arrière (horizontalement) et le dessus pour inférieure (verticalement).



ASSEMBLAGE

Réglage (horizontale et verticale) :

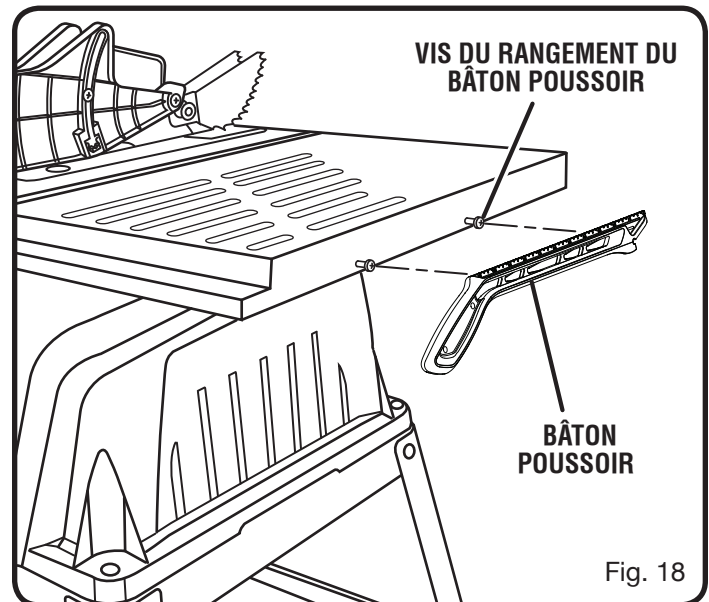
- Relever les griffes antibond et ensemble de protège-lame.
- Vue de arrière le scie, desserrer le vis le support de montage.
- Repositionner le couteau diviseur à ce que la lame soit parfaitement alignée sur le couteau diviseur.
- Une fois la garde correctement alignée, reserrer fermement l'écrou papillon.
- Vérifier de nouveau l'alignement et continuer à ajuster effectuer les réglages éventuels.



RANGEMENT DU BÂTON POUSSOIR

Voir la figure 18.

- Insérer les vis du rangement du bâton poussoir se trouvant dans le sac de pièces détachées dans les trous situés sur le côté de la scie à table. Utiliser un tournevis à pointe cruciforme pour serrer solidement les vis.
- Placer les fentes du bâton poussoir sur les vis et glisser le bâton poussoir vers l'arrière de la scie.



UTILISATION

AVERTISSEMENT :

Ne pas laisser la familiarité avec les outils faire oublier la prudence. Ne pas oublier qu'une fraction de seconde d'inattention peut entraîner des blessures graves.

AVERTISSEMENT :

Toujours porter une protection oculaire certifiée conforme à la norme ANSI Z87.1. Si cette précaution n'est pas prise, des objets peuvent être projetés dans les yeux et causer des lésions graves.

AVERTISSEMENT :

Ne pas utiliser d'outils ou accessoires non recommandés par le fabricant pour cet outil. L'utilisation de pièces et accessoires non recommandés peut entraîner des blessures graves.

AVERTISSEMENT :

Bien que beaucoup des illustrations de ce manuel montrent la scie sans la garde de lame pour plus de clarté, la scie ne doit être utilisée sans la garde que si les instructions l'indiquent expressément.

APPLICATIONS

Cet outil peut être utilisé pour les applications ci-dessous :

- Coupes en ligne droite telles que les coupes transversales, longitudinales, d'onglets, en biseau et composées
- Ébénisterie et menuiserie

NOTE : Cette scie à table est conçue pour couper du bois et de l'aggloméré uniquement.

UTILISATION ÉLÉMENTAIRE DE LA SCIE À TABLE

La fiche à 3 broches doit être branchée sur une prise appropriée, correctement installée et mise à la terre conformément à tous les codes et réglementations locaux en vigueur. Un branchement incorrect de l'équipement peut entraîner un choc électrique. Ne pas modifier la fiche si elle ne s'insère pas dans la prise. Faire installer une prise appropriée par un électricien qualifié. Voir la section *Caractéristiques Électricité* de ce manuel.

CAUSES DE REBONDS

Un rebond peut se produire lorsque la lame se bloque ou se coince et propulse violemment la pièce à couper en direction de l'opérateur. Si les mains se trouvent près de lame, elles pourraient être éjectées de la pièce et entrer en contact avec la lame. Il est évident que le rebond peut causer des blessures graves et il est vivement recommandé de prendre des précautions afin d'éviter ce risque. Il est évident que le

rebond peut causer des blessures graves et il est vivement recommandé de prendre des précautions afin d'éviter ce risque.

Le rebond peut être causé par toute action causant le pincement de la lame dans le bois. Par exemple :

- Réglage de profondeur de coupe incorrect
- Sciage de noeuds ou de clous dans le bois
- Déviation du bois en cours de coupe
- Pièce à couper non soutenue
- Coupe forcée
- Coupe de planches humides ou voilées
- Utilisation d'une lame inadéquate pour le type de coupe
- Ne pas suivre les procédures de travail correctes
- Utilisation incorrecte de la scie
- Non utilisation des griffes antirebond
- Coupe avec une lame émoussée, encrassée ou mal réglée

POUR ÉVITER LE REBOND

- Toujours utiliser le réglage de profondeur de coupe correct. La pointe des dents de la lame doit dépasser la pièce de 3,2 à 6,4 mm (1/8 po à 1/4 po).
- S'assurer de l'absence de noeuds ou de clous dans le bois avant de commencer une coupe. Retirer les noeuds décollés à l'aide d'un marteau. Ne jamais scier de noeuds décollés ou de clous.
- Toujours utiliser le guide longitudinal pour les coupes en long. Toujours utiliser le guide d'onglet pour les coupes transversales. Ceci évite la déviation du bois pendant la coupe.
- Toujours utiliser des lames propres, bien affûtées et correctement réglées. Ne jamais couper avec une lame émoussée.
- Afin d'éviter le pincement de la lame, soutenir la pièce avant de commencer la coupe.
- Appliquer une pression constante et régulière sur la pièce. Ne jamais forcer la coupe.
- Ne pas couper des planches humides ou voilées.
- Utiliser la attention extra en coupant quelque prefinished ou les produits de bois de composition comme les griffes antirebond toujours ne peuvent pas être efficaces.
- Toujours diriger votre la pièce avec les deux mains ou avec des bâtons poussoirs et/ou blocs poussoirs. Se tenir bien campé afin de pouvoir la maîtriser en cas de rebond. Ne jamais se tenir en ligne avec la lame.
- L'usage d'un cale-guide aidera la prise la pièce assurément contre la table de scie ou le guide.
- Nettoyer la scie, le protège-lame, sous la plaque à gorge, et n'importe quels sciure où n'importe quelle poussière de scie ou les pièces de fragment peuvent rassembler.
- Utiliser des lames dont le type correspond au type de coupe.
- Toujours utiliser couteau diviseur pour chaque opération où il est permis. L'usage de cet appareil réduira fort le risque de rebond.

UTILISATION

CONSEILS DE COUPE

Voir la figure 19.

Les bâtons poussoir permettent de pousser une pièce contre la lame en toute sécurité dans coupe longitudinal. En faisant les coupes de non traversante ou refente des planches étroites toujours utiliser un bâton poussoir, bloc poussoir et/ou cale-guide afin de ne pas risquer que les mains à moins de 76,2 mm (3 po) de la lame. Leur forme et taille peuvent varier en fonction du travail à exécuter et il peuvent être fabriqués avec une chute de bois. Le bâton doit être plus étroit que la pièce et présenter une découpe à 90° à une extrémité et découpe permettant de le saisir fermement à l'autre.

Un bloc poussoir est muni d'une poignée fixée par des vis noyées, insérées par le dessous. Il doit être utiliser pour les coupes non traversantes.

⚠ AVIS :

S'assurer que la vis du bloc poussoir est noyée afin qu'elle ne risque pas d'endommager la scie ou la pièce.

GUIDE AUXILIAIRE

Une guide auxiliaire est un appareil qui est utilisé fermer l'écart entre la guide longitudinal et la table de scie. Toujours la marquer et utilise la guide auxiliaire en déchirant du matériel 1/8 po ou plus mince.

COMMENT FABRIQUER ET CONNEXION UNE GUIDE AUXILIAIRE

Voir la figure 20.

Les trous fournis dans le guide longitudinal sont destinés à cet usage. Les trous du guide longitudinal sont utilisés pour fixer le guide auxiliaire qui exige un morceau de bois de 19 mm (3/4 po) de profondeur, 89 mm (3-1/2 po) de hauteur et 470 mm (18-1/2 po) de long pour être fabriqué.

Pour fixer le guide auxiliaire à la guide longitudinal :

- Placer le bois contre le guide d'onglet et reposer sur la table de scie.
- Du côté arrière de la guide longitudinal, bloquer le bois sur le guide longitudinal avec des vis de bois de 38 mm (1-1/2 po).

COMMENT FAIRE UNE SAUTEUSE (POUR LA COUPE LONGITUDINAL LA REFENTE DES PLANCHES PIÈCE)

Voir la figure 21.

Si refente des planches étroites place les mains fermement aussi à la lame, le ce sera nécessaire de faire et utiliser une sauteuse.

Pour effectuer une sauteuse:

- Attacher une poignée à un morceau long et droit de bois et obtient du dessous utilisant des vis noyées.
- Couper un arrêt en forme de L dans le côté de la sauteuse

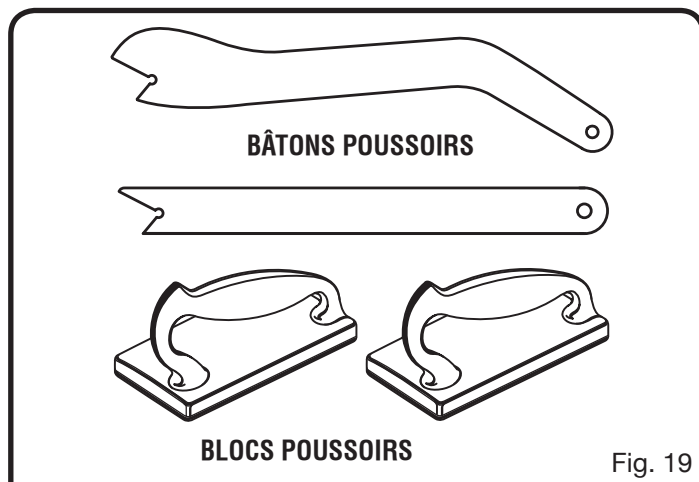


Fig. 19

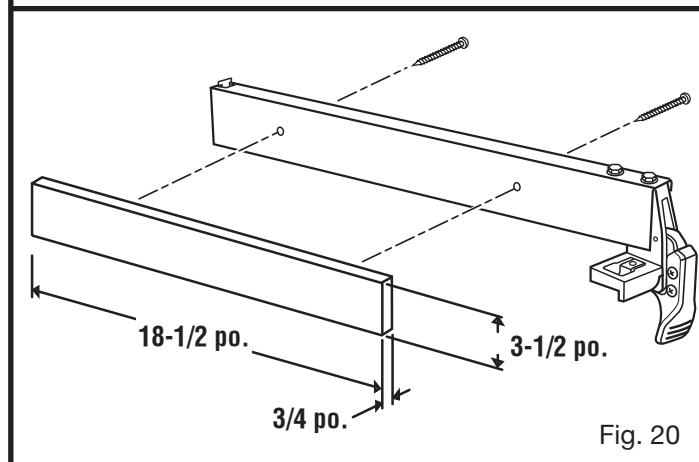


Fig. 20

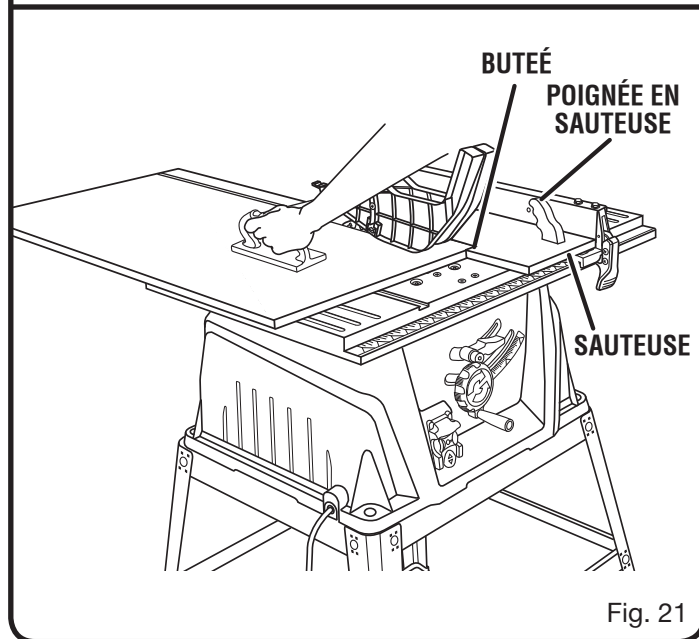


Fig. 21

Pour utiliser sauteuse:

- Disposer la pièce plate sur la table avec l'éclat de bord contre la sauteuse et contre butée.
- L'avoir la poignée de sauteuse et l'utilisation d'un bâton poussoir, faire la coupe longitudinal comme décrit à la page 31 ultérieur dans cette section.

UTILISATION

CALE-GUIDE

Une cale-guide est un dispositif qui permet de contrôler la pièce en la guidant fermement contre la table ou le guide. Les cales-guides sont surtout utiles lors de coupes en long de petites pièces et de coupes non traversantes. L'extrémité est oblique, avec plusieurs courtes entailles permettant de maintenir la pièce par friction. Assujettir la cale guide sur la table avec un serre-joint. Vérifier qu'elle peut résister au rebond en limitant le mouvement vers l'avant de la pièce.

⚠ AVERTISSEMENT :

Placer la cale-guide contre la partie non coupée de la pièce afin d'éviter un rebond qui pourrait entraîner des blessures graves.

COMMENT FABRIQUER UNE CALE-GUIDE

Voir la figure 22.

La cale-guide est un excellent projet pour la scie. Sélectionner une planche de bois solide d'environ 19 mm (3/4 po) d'épaisseur environ, 63,5 mm (2-1/2 po) de large et 304,8 mm (12 po) de long. Marquer le centre de la largeur sur l'une des extrémités de la planche. Couper une des extrémités à 70° « pour des informations sur les coupes d'onglets, voir la page 31 ». Marquer la planche à 101,6 mm (4 po) de cette point le plus large.

Préparer la scie pour une coupe longitudinale comme expliqué à la page 31. Régler le guide longitudinal afin de pouvoir couper un « doigt » d'environ 6 mm (1/4 po) dans la planche. Avancer la planche seulement jusqu'au repère de 101,6 mm (4 po). **ARRÊTER** la scie et attendre que la lame soit complètement immobilisée avant de retirer la planche. Ajuster le guide et effectuer des coupes longitudinales dans la pièce pour obtenir des entailles d'environ 6 mm (1/4 po), séparées de 3 mm (1/8 po).

COMMENT INSTALLER UNE CALE-GUIDE

Voir la figure 23.

Abaisser complètement la lame. Placer le guide longitudinal à la distance voulue de la lame pour la coupe et le verrouiller. Placer la pièce à couper contre le guide à proximité de la lame. Ajuster la cale-guide de manière à appliquer une résistance juste en avant de la lame. Utiliser un serre-joints pour mieux maintenir la cale-guide contre le bord de la table de la scie.

⚠ AVERTISSEMENT :

Ne pas placer la cale-guide à l'arrière de la pièce. Lorsque l'entaille n'est pas correctement positionnée, le rebond peuvent être causé par le pincement de la pièce par la cale-guide et le blocage de la lame dans le trait de scie. Le non-respect de cette mise en garde peut entraîner des blessures graves.

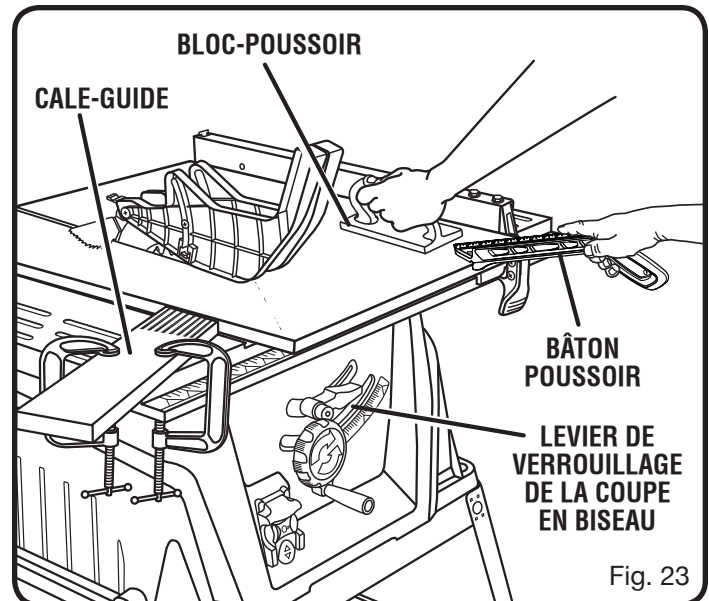


Fig. 23

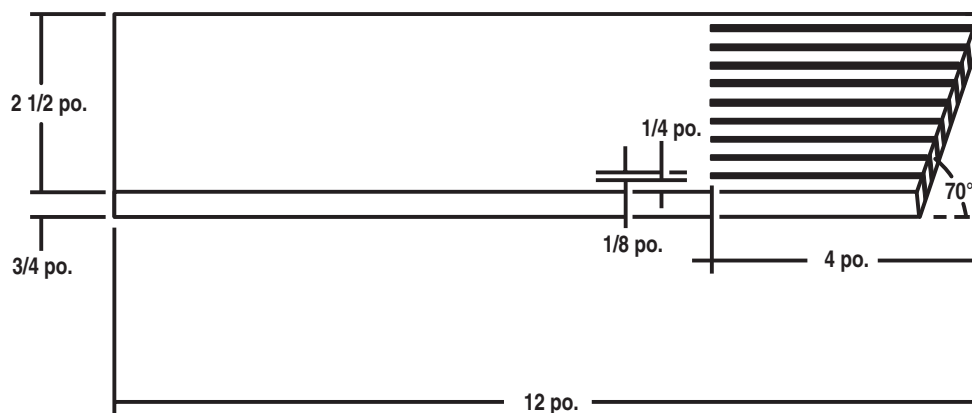


Fig. 22

UTILISATION

TYPES DE COUPE

Voir la figure 24.

Il y a six principaux types de coupe : 1) coupe transversale, 2) coupe longitudinale, 3) coupe d'onglet, 4) coupe transversale en biseau, 5) coupe en long en biseau et 6) coupe d'onglet composé (en biseau). Toutes les autres coupes sont des combinaisons de ces six types de coupe. Les méthodes de travail pour chaque type de coupe sont expliquées plus loin dans cette section.

⚠ AVERTISSEMENT :

Toujours s'assurer que la garde de lame et les griffes antirebond sont en place et fonctionnent correctement pendant les coupes afin d'éviter le risque de blessures.

Les coupes transversales sont des coupes droites à 90° effectuées en travers du grain de la pièce de bois. La pièce est engagée à 90° par rapport à la lame et celle-ci est verticale.

Les coupes longitudinales sont effectuées dans le sens du grain du bois. Afin d'éviter tout rebond pendant une coupe en long, s'assurer qu'un des côtés de la pièce de bois est fermement appuyée contre le guide.

Les coupes d'onglet sont celles effectuées avec la planche sur toute position autre que 90°. La lame est verticale. Les planches ont tendance à glisser pendant la coupe d'onglets. Cela peut être contrôlé en maintenant la pièce fermement contre le guide d'onglet.

⚠ AVERTISSEMENT :

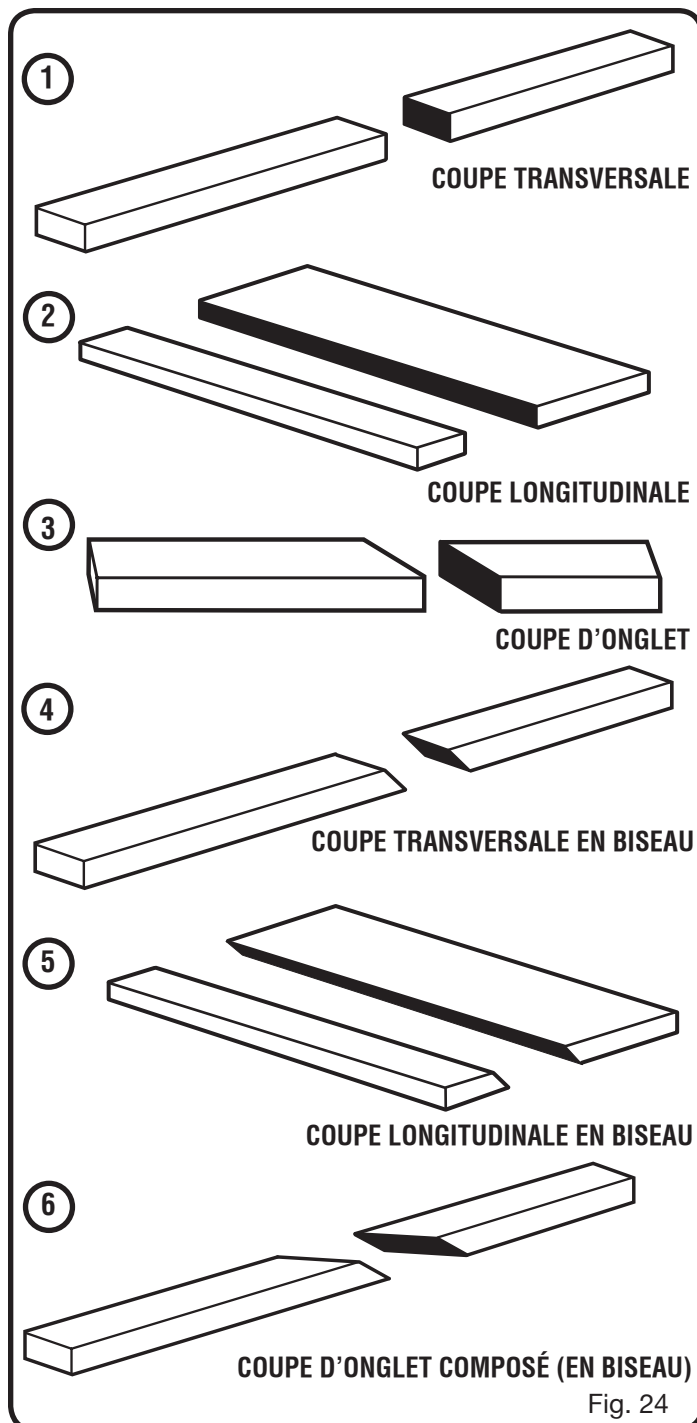
Ne jamais nourrir de bois avec vos mains en faisant réduit les coupures de refente pour empêcher vos mains d'obtenir proche à la lame. Le risque de blessures., toujours utiliser un bâton poussoir, blocs poussoirs, et cale-guide.

Les coupes en biseau sont effectuées avec la lame en biais. Les coupes transversales en biseau sont effectuées contre le grain du bois et les coupes en long en biseau dans le sens du grain.

Les coupes d'onglet composé (ou en biseau) sont effectuées avec une lame en biais, la pièce étant placée en oblique par rapport à la lame. Bien se familiariser avec les coupes transversales, longitudinales, en biseau et d'onglets avant d'essayer d'exécuter une coupe d'onglet composée.

CONSEILS DE COUPE

Les rainages et feuillures sont des coupes non traversantes qui peuvent être soit longitudinales, soit transversales. Lire attentivement et veiller à bien comprendre toutes les sections de ce manuel d'utilisation avant d'entreprendre une coupe quelconque.



⚠ AVERTISSEMENT :

Ne pas utiliser de lames dont la vitesse de rotation nominale est inférieure à celle de l'outil. Le non-respect de cet avertissement pourrait entraîner des blessures graves.

- Le trait de scie (entaille pratiquée par la lame dans le bois) sera plus large que la lame afin d'éviter une surchauffe ou un blocage. Lors des mesures, ne pas oublier de tenir compte du trait de scie.

UTILISATION

- S'assurer que le trait de scie est effectué sur le côté chute de la ligne de mesure.
- Couper le bois côté fini vers le haut.
- Retirer les noeuds décollés à l'aide d'un marteau avant d'effectuer la coupe.
- Toujours utiliser un support adéquat sous une planche à la sortie de la scie.

RÉGLAGE DE LA PROFONDEUR DE LAME

Voir la figure 25.

La profondeur de coupe doit être réglée pour que les pointes extérieures des dents de la lame dépassent la pièce de bois d'environ 3 à 6 mm (1/8 à 1/4 po) mais que les points les plus bas (creux) soient au-dessous de la surface supérieure de la pièce.

- Pousser le levier de verrouillage de biseau vers la droite.
- Relever la lame en tournant le volant de réglage de hauteur / biseau vers la droite ou l'abaisser en tournant le volant de réglage vers la gauche.

RÉGLAGE DE L'ANGLE DE LAME (BESEAU)

Voir la figure 26.

La scie à table est équipée d'une commande à crémaillère permettant d'effectuer des coupes en biseau de 90 à 45°.

NOTE : Pour une coupe à 90°, le réglage de biseau est de 0° et pour une coupe à 45°, le réglage est de 45°.

- Débrancher la scie.
- Desserrer la commande de biseau en tournant le levier de verrouillage à fond vers la gauche. S'il est nécessaire de le desserrer davantage, tourner le levier chargé par ressort vers l'extérieur, puis le tourner vers la droite. Relâcher le levier et permet la manette de réglage de lame placer (la serrure) dans sa position originale. Le tourner de nouveau jusqu'à ce qu'il soit desserré.
- Placez le volant de réglage de hauteur vers la droite ajuster le guide de biseau sur l'angle de 45°.
- Resserrer la commande de biseau en tournant le levier de verrouillage vers la droite. S'il est nécessaire de le serrer davantage, tourner le levier chargé par ressort vers l'extérieur, puis le tourner vers la gauche. Relâcher le levier et le laisser retourner à sa position originale. Tourner de nouveau vers la droite. Répéter cette procédure jusqu'à ce que le levier soit fermement serré.

RÉGLAGE DE L'INDICATEUR DE BISEAU

Voir la figure 27.

Si l'indicateur de biseau n'est pas sur zéro lorsque la lame de la scie est à 90°, le régler en desserrant la vis et en le plaçant sur la graduation 0° de l'échelle de biseau. Resserrer la vis.

AVERTISSEMENT :

Pour réduire le risque de blessures, toujours vérifier que le guide longitudinal est parallèle à la lame avant de commencer une coupe.

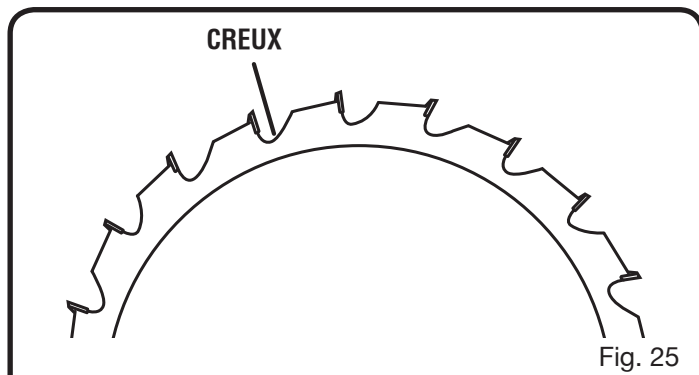


Fig. 25

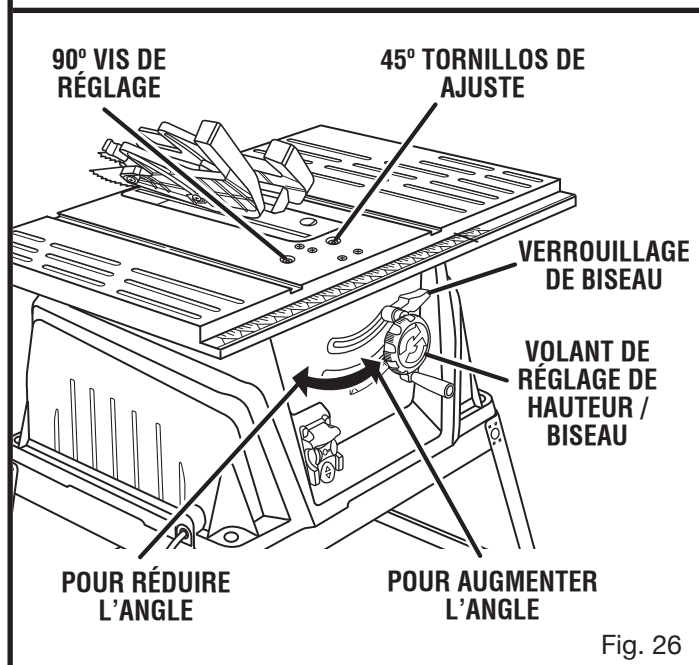


Fig. 26

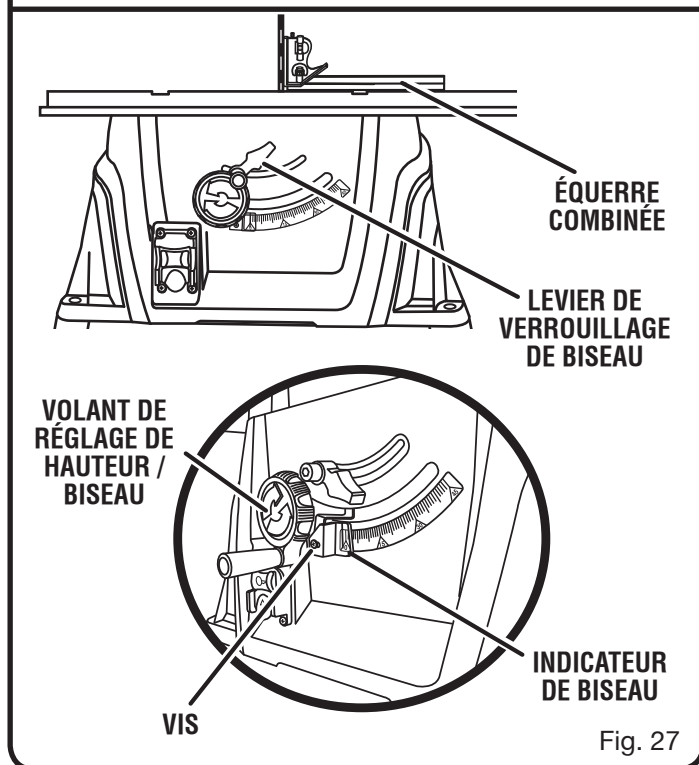


Fig. 27

UTILISATION

UTILISATION DU GUIDE LONGITUDINAL

Voir la figure 28.

- Placer le rebord arrière du guide sur l'arrière de la scie à table et le tirer légèrement vers l'avant.
- Abaisser l'extrémité avant sur les surfaces de guide du rail avant.
- Avec la guide longitudinal plate sur la table de scie, pousser la guide vers le rail avant pour aligner la guide à la table de scie.
- Abaisser le levier de verrouillage pour aligner et bloquer le guide.

S'assurer que le guide glisse librement. Si des réglages sont nécessaires, voir **Vérification de l'alignement du guide longitudinal sur la lame** à la section *Réglages* de ce manuel.

- Effectuer deux ou trois coupes d'essai sur des chutes de bois. Si les coupes ne sont pas précises, reprendre les étapes précédentes.

NOTE : Le guide longitudinal doit être solidement assujéti lorsque la poignée de verrouillage est engagée. Pour augmenter la poignée de la guide longitudinal sur la lèvre postérieure de la table, resserrer la vis de collier sur l'arrière de la barrière de déchirure en le tournant dans le sens des aiguilles d'une montre.

POUR RÉGLER L'ÉCHELLE GRADUÉE SUR LA LAME

Voir la figure 28.

Utiliser l'indicateur sur le guide longitudinal pour positionner le guide par rapport à l'échelle sur le rail avant.

NOTE : Les griffes antibond et ensemble de protège-lame doit être retirée pour effectuer ce réglage. Une fois le réglage effectué, réinstaller le protège-lame.

Commencer avec la lame réglée sur zéro degré (à la verticale).

- Débrancher la scie.
- Desserrer le guide longitudinal en relevant le levier de verrouillage.
- À l'aide d'une équerre de charpentier, régler le guide longitudinal à 2 po (51 mm) de la pointe des dents de la lame.
- Desserrer la vis de l'indicateur et placer ce dernier sur la graduation 51 mm (2 po), comme illustré.
- Resserrer la vis, puis vérifier la dimension et la position du guide longitudinal.

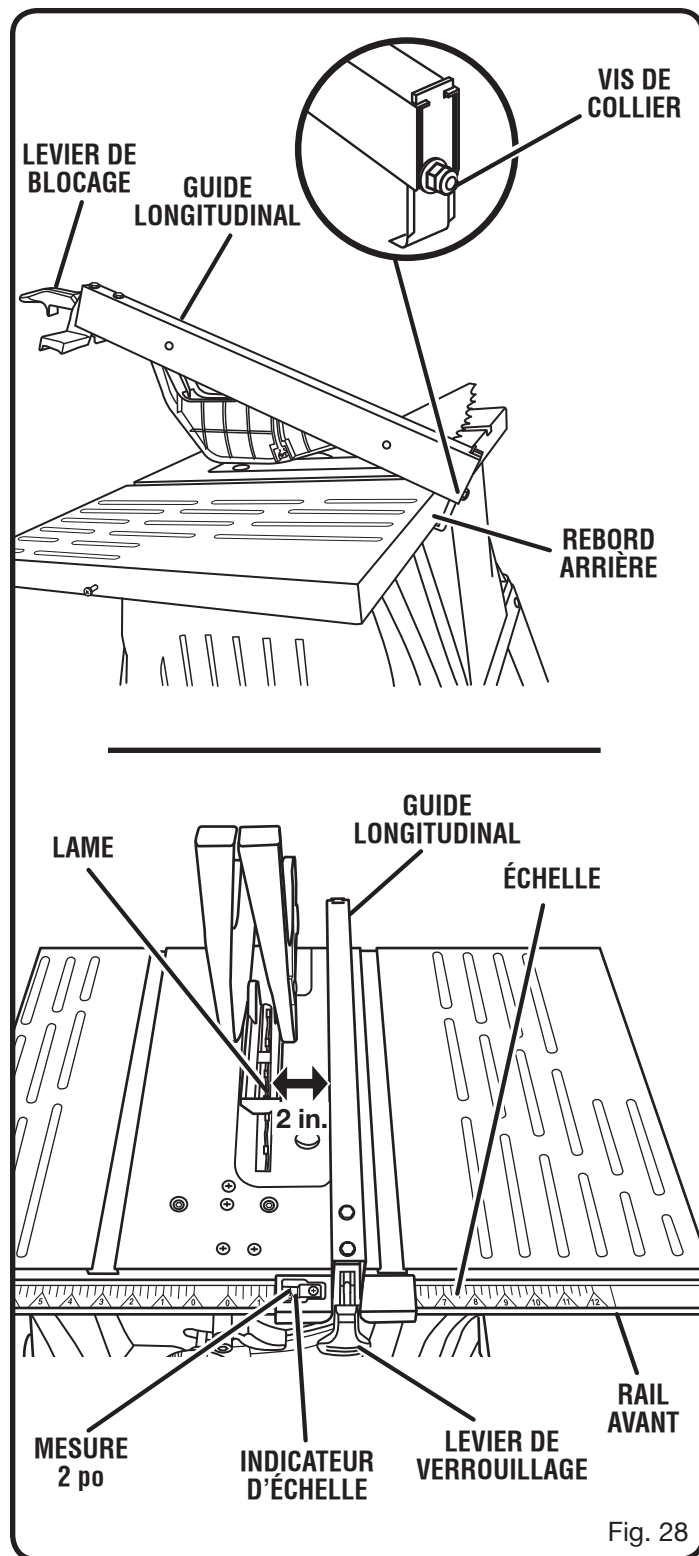


Fig. 28

UTILISATION

UTILISATION DU GUIDE D'ONGLET

Voir la figure 29.

Le guide d'onglet permet d'effectuer des coupes en biais de grande précision. Il est recommandé d'effectuer des coupes d'essai lorsque les tolérances sont réduites.

Il y a deux rainures de guide d'onglet, une de chaque côté de la lame. Elle peuvent toutes deux être utilisées pour les coupes transversales à 90°. Lors des coupes transversales en biseau (lame inclinée par rapport à la table), le guide d'onglet doit être placé dans la rainure de droite, de manière à ce que la lame soit inclinée dans la direction opposée au guide et à la main de l'opérateur.

Le guide d'onglet peut être tourné de 60° à droite ou à gauche.

- Desserrer le bouton de verrouillage.
- Le guide d'onglet étant inséré dans la gorge de la table, le tourner sur l'angle désiré.
- Resserrer le bouton de verrouillage.

MISE EN PARALLÈLE DE LA LAME SUR LA RAINURE DU GUIDE D'ONGLET

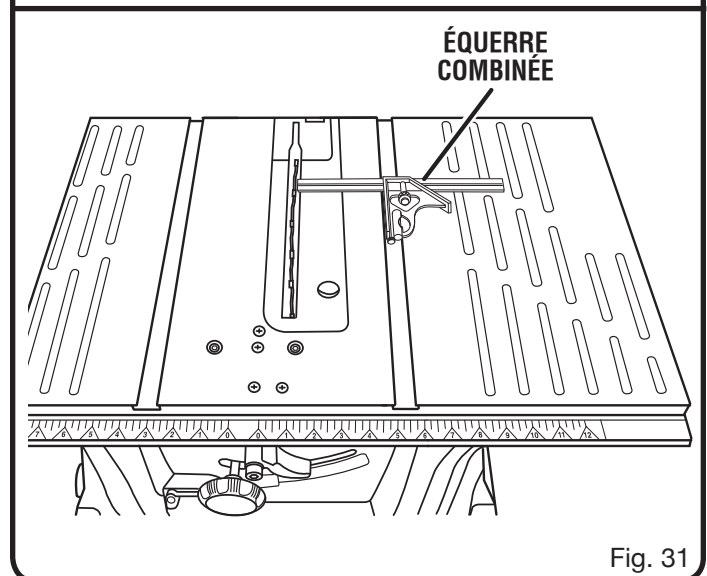
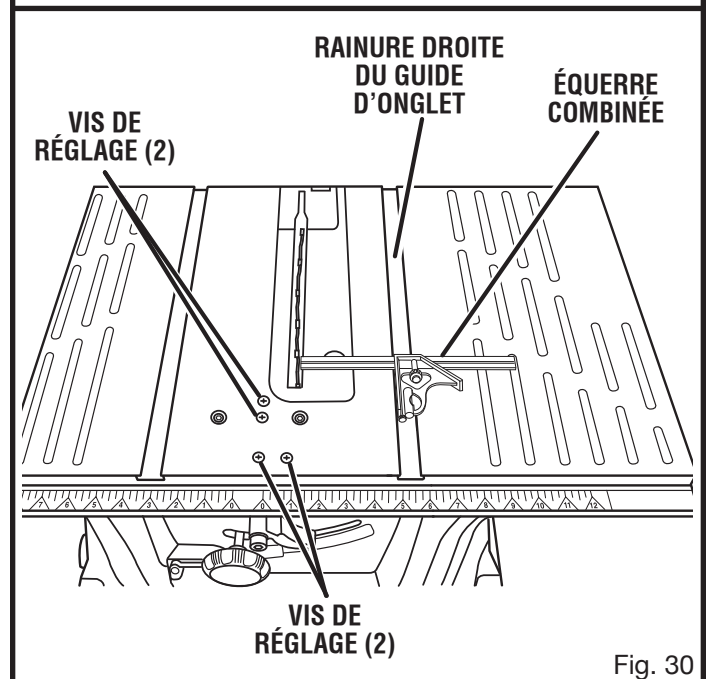
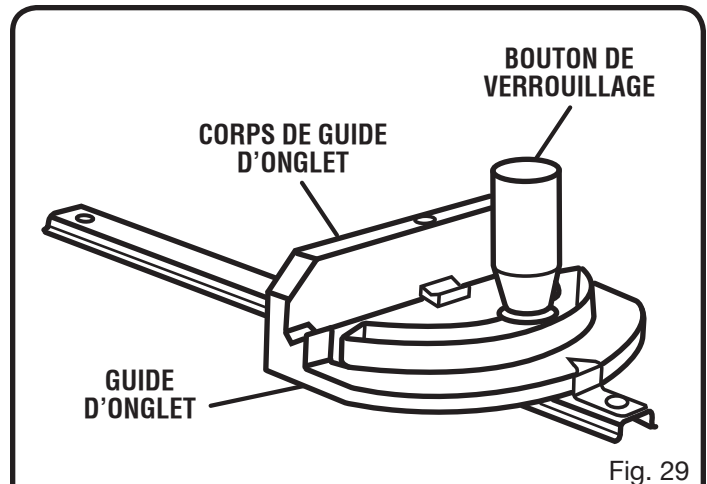
Voir les figures 30 à 32.

AVERTISSEMENT :

La lame doit être parallèle à la rainure du guide d'onglet afin que le bois ne pince pas la lame, entraînant un rebond risquant de causer des blessures graves. Ne pas prendre cette précaution peut entraîner des blessures graves.

Ne desserrer aucune vis pour effectuer ce réglage avant d'avoir vérifié le parallélisme avec une équerre et exécuté des coupes d'essai, pour déterminer si des réglages sont nécessaires. Une fois les vis desserrées, les réglages doivent être refaits.

- Débrancher la scie.
- Retirer la garde de lame et griffes antirebond. Relever la lame au maximum en tournant le volant de réglage de hauteur / biseau.
- Tracer un repère à côté de l'une des dents de l'avant de la lame. Placer une équerre combinée au ras de l'avant de la table et du côté de la lame, comme illustré à la figure 31.
- Tourner la lame pour que la dent marquée se trouve à l'arrière.
- Placer l'équerre à l'arrière et mesurer de nouveau la distance. Si les distances sont identiques, la lame est correctement alignée.



UTILISATION

Si les distances mesurées sont différentes :

- Placer le couteau diviseur à la position « Down » (Bas).
- Desserrer les vis de réglage situées sur le dessus de la table de la scie.
- Si l'arrière de la lame est trop éloigné de la rainure de guide d'onglet, placer une cale en bois contre le côté gauche de la lame et la pousser, jusqu'à ce que la lame soit parallèle à la rainure du guide d'onglet. Resserrer les vis.
- Si l'arrière de la lame est trop éloigné de la rainure de guide d'onglet, placer une cale en bois contre le côté droit de la lame et la pousser, jusqu'à ce que la lame soit parallèle à la rainure du guide d'onglet.
- Resserrer les vis.

⚠ AVERTISSEMENT:

Après tout réglage, aligner le guide longitudinal et la lame pour réduire le risque de blessures causées par un rebond. Toujours vérifier que le guide longitudinal est parallèle à la lame avant de commencer une coupe.

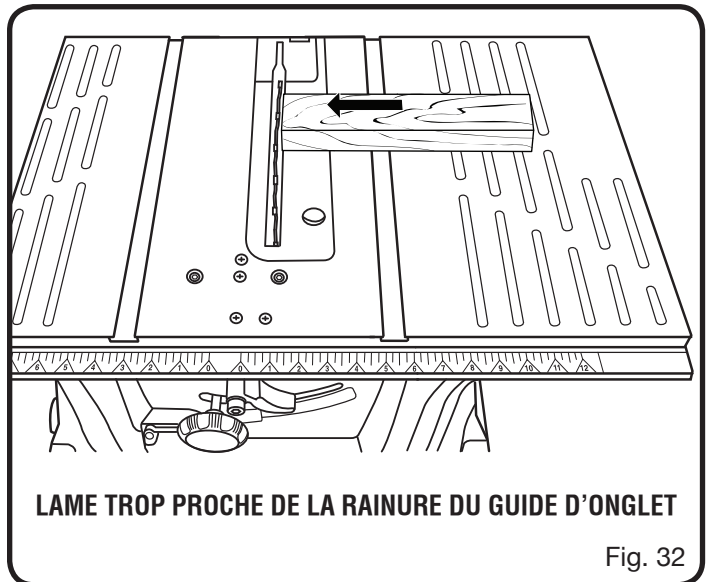
EXÉCUTION DE COUPES

La scie à table peut exécuter un assortiment de coupes qui ne sont pas tout mentionné dans ce manuel. NE PAS tenter de faire n'importe quelles coupures n'ont pas couvert ici à moins que vous êtes à fond familier avec les procédures correctes et les accessoires nécessaires. Votre bibliothèque locale a beaucoup de livres sur la scie à table l'usage et les procédures de travail du bois spécialisé pour votre référence.

La lame fournie avec la scie est une lame mixte de haute qualité qui peut être utilisée pour les coupes longitudinales et transversales. Vérifier attentivement tous les réglages et faire tourner la lame d'un tour complet pour assurer qu'elle tourne librement avant de brancher la scie. Se tenir légèrement sur le trajectoire de la lame pour réduire les possibilités de blessure en cas de rebond.

⚠ AVERTISSEMENT :

Ne pas utiliser de lames dont la vitesse de rotation nominale est inférieure à celle de l'outil. Le non respect de cet avertissement pourrait entraîner des blessures graves.



UTILISATION

Utiliser le guide d'onglet lors de coupes transversales, à onglet, en biseau et à onglet composé. Pour verrouiller l'angle, tourner le bouton de verrouillage du guide d'onglet vers la droite. Toujours serrer fermement le bouton de verrouillage avant d'utiliser la scie.

NOTE : Il est recommandé de placer la pièce à conserver sur la gauche de la lame et de d'abord faire un essai sur une chute de bois.

POUR EFFECTUER UNE COUPE TRANSVERSALE

Voir les figures 33 et 34.

⚠ AVERTISSEMENT :

Pour éviter des risques de blessures graves, s'assurer que la garde de lame est installée et fonctionne correctement.

⚠ AVERTISSEMENT :

Lors d'une coupe transversale, l'utilisation du guide longitudinal causerait un rebond pouvant causer des blessures graves.

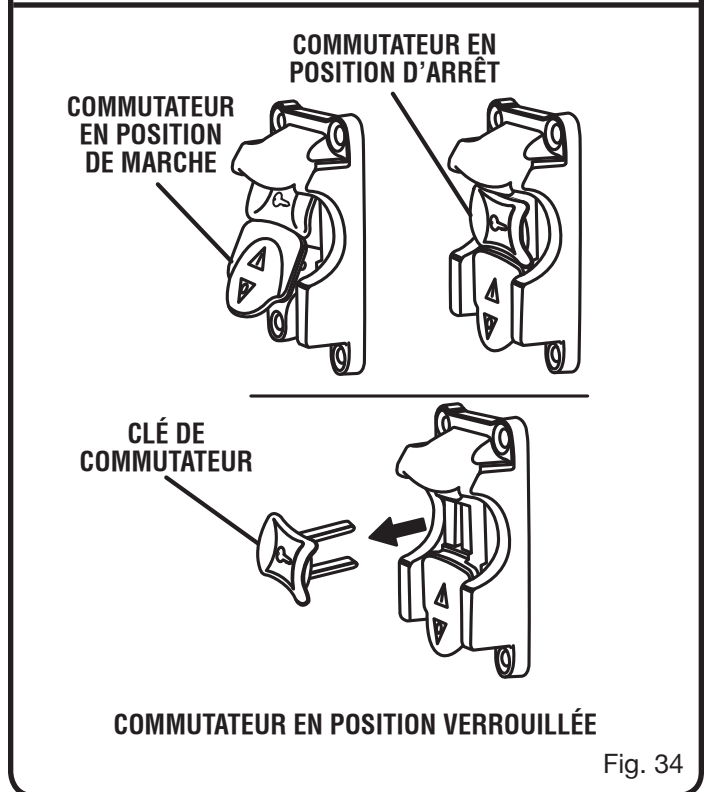
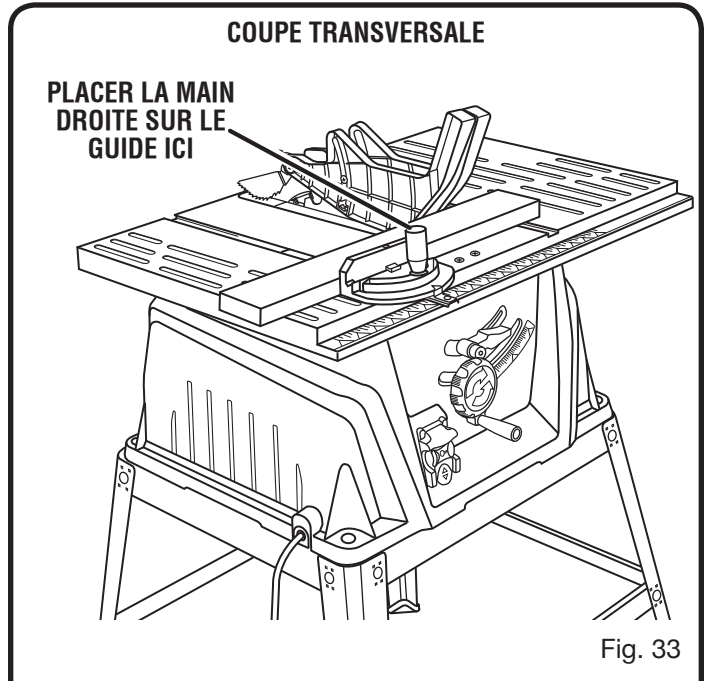
- Retirer le guide longitudinal.
- Régler la lame sur la profondeur de coupe correcte pour la pièce.
- Régler le guide d'onglet sur 0° et serrer le bouton de verrouillage.
- Avant de mettre la scie en marche, s'assurer que le bois ne touche pas la lame.
- Pour mettre la scie en **MARCHE**, relever le commutateur.
- Pour **ÉTEINDRE** la scie, abaisser le commutateur.

NOTE : Pour éviter une utilisation non autorisée, retirer la clé du commutateur, comme illustré à la figure 34.

- Laisser la lame parvenir à sa vitesse maximale avant d'engager la pièce.
- Maintenir la pièce fermement avec les deux mains sur le guide d'onglet et engager la pièce sur la lame.

NOTE : La main la plus proche de la lame doit être placée sur le bouton de verrouillage du guide d'onglet et la main la plus éloignée, sur la pièce à couper.

- Une fois la coupe effectuée, arrêter la scie. Attendre que la lame s'arrête complètement avant de retirer la pièce.



UTILISATION

COUPE LONGITUDINALE

Voir la figure 35.

AVERTISSEMENT :

Afin d'éviter le risque de blessures graves, s'assurer que la garde de lame est installée et fonctionne correctement.

AVERTISSEMENT :

Les coupe de effiler doivent être seulement faites avec une sauteuse spéciale, qui est disponible dans le commerce. Ne pas tenter la coupe de effiler de à main levée sur cette scie.

- Régler la lame sur la profondeur de coupe correcte pour la pièce.
- Placer le guide longitudinal à la distance voulue de la lame pour la coupe et verrouiller fermement la poignée.
- En courte longitudinale une pièce à travailler longue, placer un support à la même hauteur que la table, derrière la scie.
- Installer la cale-guide en la position appropriée pour le type de coupe.
- Avant d'allumer la scie, s'assurer que le bois ne touche pas la lame.
- Mettre le commutateur en position de marche.
- Placer la pièce à couper à plat sur la table, son bord solidement appuyé contre le guide longitudinal. Laisser la lame parvenir à sa vitesse maximum avant d'engager la pièce.
- Une fois la pièce en contact avec la lame, utiliser la main la plus proche du guide longitudinal pour guider la pièce. S'assurer que le bord de la pièce est fermement en contact avec le guide longitudinal et la surface de la table. Lors de la coupe longitudinale d'une pièce étroite, la pousser avec un bâton jusqu'au delà de la lame.
- Une fois la coupe effectuée, arrêter la scie. Attendre que la lame s'arrête complètement avant de retirer la pièce.

COUPE D'ONGLET

Voir la figure 36.

AVERTISSEMENT :

Afin d'éviter le risque de blessures graves, s'assurer que la garde de lame est installée et fonctionne correctement.

- Retirer le guide longitudinal.
- Régler la lame sur la profondeur de coupe correcte pour la pièce.
- Régler le guide d'onglet sur l'angle voulu et serrer le bouton de verrouillage.
- Avant de mettre la scie en marche, s'assurer que le bois ne touche pas la lame.

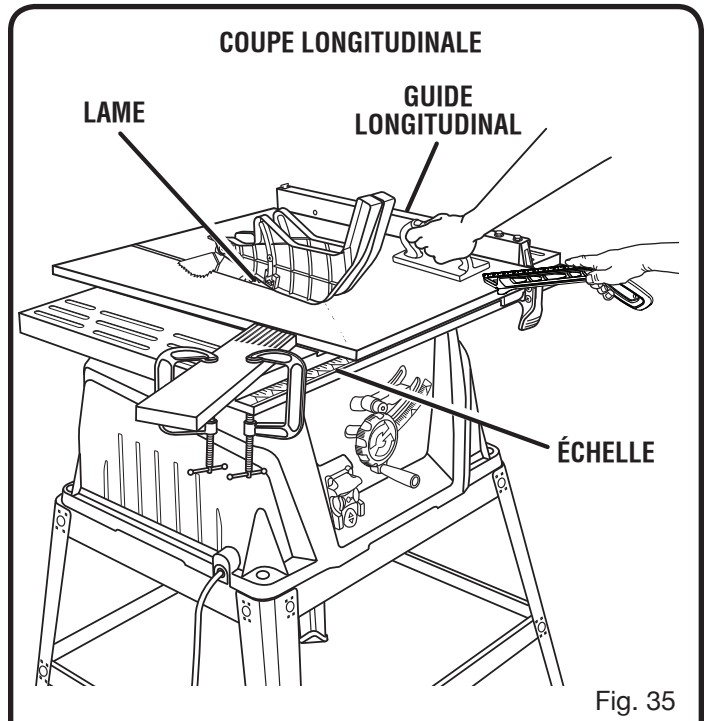


Fig. 35

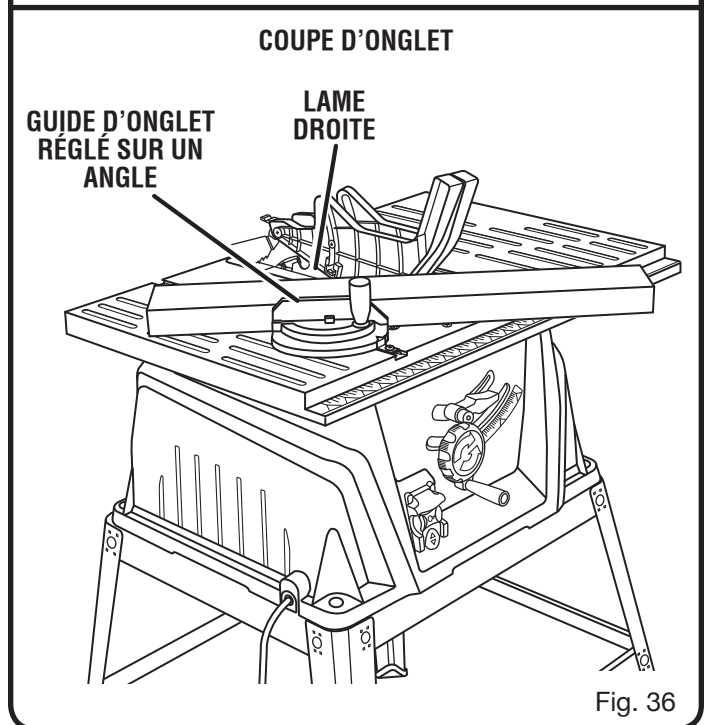


Fig. 36

- Mettre le commutateur en position de marche.
 - Laisser la lame parvenir à sa vitesse maximale avant d'engager la pièce.
 - Maintenir la pièce fermement avec les deux mains sur le guide d'onglet et engager la pièce sur la lame.
- NOTE:** La main la plus proche de la lame doit être placée sur le bouton de verrouillage du guide d'onglet et la main la plus éloignée, sur la pièce à couper.
- Une fois la coupe effectuée, arrêter la scie. Attendre que la lame s'arrête complètement avant de retirer la pièce.

UTILISATION

COUPE TRANSVERSALE EN BISEAU

Voir les figures 37 et 38.

AVERTISSEMENT :

Afin d'éviter le risque de blessures graves, s'assurer que la garde de lame est installée et fonctionne correctement.

AVERTISSEMENT :

Pour éviter de coincer le bois et causer un rebond, le guide d'onglet doit toujours se trouver sur la droite de la lame. Le placement du guide d'onglet sur la gauche de la lame causerait un rebond susceptible d'entraîner des blessures graves.

- Retirer le guide longitudinal.
- Désengager le levier de verrouillage de biseau.
- Ajuster le guide de biseau sur l'angle désiré.
- Engager le levier de verrouillage de biseau.
- Régler la lame sur la profondeur de coupe correcte pour la pièce.
- Régler le guide d'onglet sur 0° et serrer le bouton de verrouillage.
- Avant de mettre la scie en marche, s'assurer que le bois ne touche pas la lame.
- Mettre le commutateur en position de marche.
- Laisser la lame parvenir à sa vitesse maximale avant d'engager la pièce.
- Maintenir la pièce fermement avec les deux mains sur le guide d'onglet et engager la pièce sur la lame.
NOTE: La main la plus proche de la lame doit être placée sur le bouton de verrouillage du guide d'onglet et la main la plus éloignée, sur la pièce à couper.
- Une fois la coupe effectuée, arrêter la scie. Attendre que la lame s'arrête complètement avant de retirer la pièce.

COUPE LONGITUDINALE EN BISEAU

Voir la figure 39.

AVERTISSEMENT :

Afin d'éviter le risque de blessures graves, s'assurer que la garde de lame est installée et fonctionne correctement.

AVERTISSEMENT :

Pour éviter de coincer le bois et causer un rebond, le guide longitudinal doit toujours se trouver sur la droite de la lame. Le placement du guide longitudinal sur la gauche de la lame causerait un rebond susceptible d'entraîner des blessures graves.

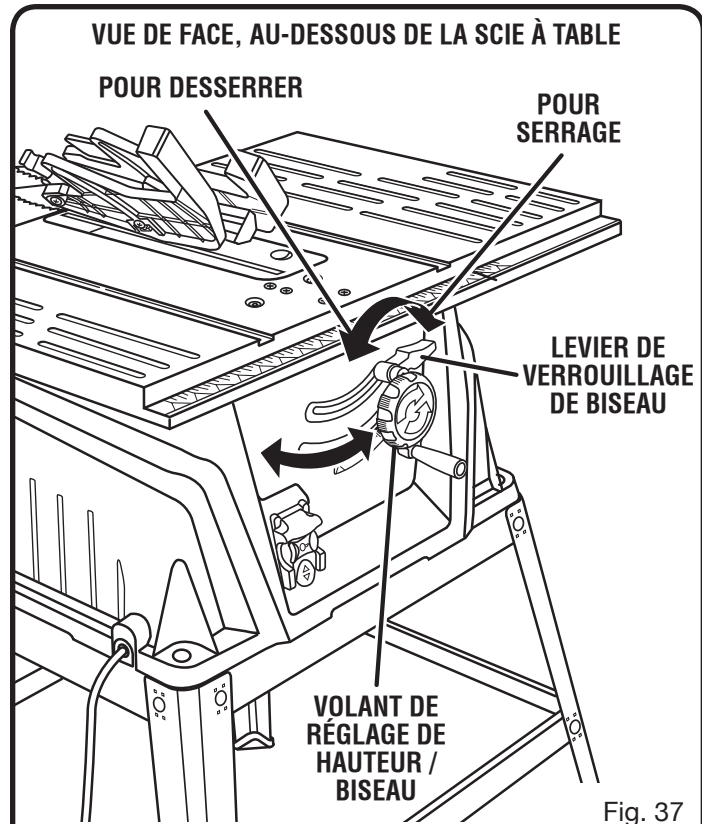


Fig. 37

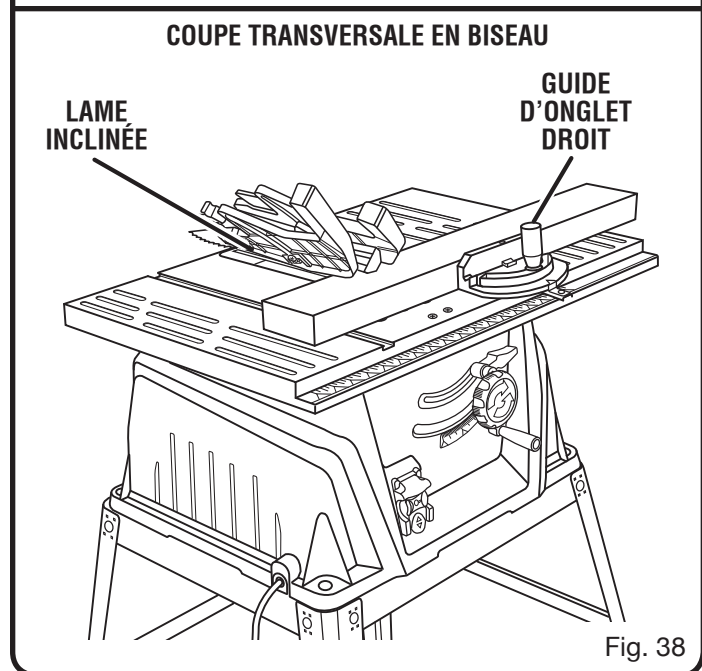


Fig. 38

- Retirer la guide d'onglet.
- Installer la cale-guide en la position appropriée pour le type de coupe.
- Désengager le levier de verrouillage de biseau.
- Ajuster le guide de biseau sur l'angle désiré.
- Engager le levier de verrouillage de biseau.
- Régler la lame sur la profondeur de coupe correcte pour la pièce.

UTILISATION

- Placer le guide longitudinal à la distance voulue et verrouiller la poignée.
- Avant de mettre la scie en marche, s'assurer que le bois ne touche pas la lame.
- En courte longitudinale une pièce à travailler longue, placer un support à la même hauteur que la table, derrière la scie.
- Mettre le commutateur en position de marche.
- Coloque la pieza de trabajo plana sobre la mesa con la orilla pegada contra la guía de corte al hilo. Permita que la hoja alcance la velocidad plena antes de avanzar la pieza de trabajo hacia la hoja.
- Une fois la pièce en contact avec la lame, utiliser la main la plus proche du guide longitudinal pour guider la pièce. S'assurer que le bord de la pièce est fermement en contact avec le guide longitudinal et la surface de la table. Lors de la coupe longitudinale d'une pièce étroite, la pousser avec un bâton jusqu'au delà de la lame.
- Une fois la coupe effectuée, arrêter la scie. Attendre que la lame s'arrête complètement avant de retirer la pièce.

COUPE D'ONGLET COMPOSÉ (EN BISEAU)

Voir la figure 40.

⚠ AVERTISSEMENT :

Afin d'éviter le risque de blessures graves, s'assurer que la garde de lame est installée et fonctionne correctement.

⚠ AVERTISSEMENT :

Pour éviter de coincer le bois et causer un rebond, le guide d'onglet doit toujours se trouver sur la droite de la lame. Le placement du guide d'onglet sur la gauche de la lame causerait un rebond susceptible d'entraîner des blessures graves.

- Retirer le guide longitudinal.
- Désengager le levier de verrouillage de biseau.
- Ajuster le guide de biseau sur l'angle désiré.
- Engager le levier de verrouillage de biseau.
- Régler la lame sur la profondeur de coupe correcte.
- Régler le guide d'onglet sur l'angle voulu et serrer le bouton de verrouillage.
- Avant de mettre la scie en marche, s'assurer que le bois ne touche pas la lame.
- Mettre le commutateur en position de marche.
- Laisser la lame parvenir à sa vitesse maximale avant d'engager la pièce.
- Maintenir la pièce fermement avec les deux mains sur le guide d'onglet et engager la pièce sur la lame.

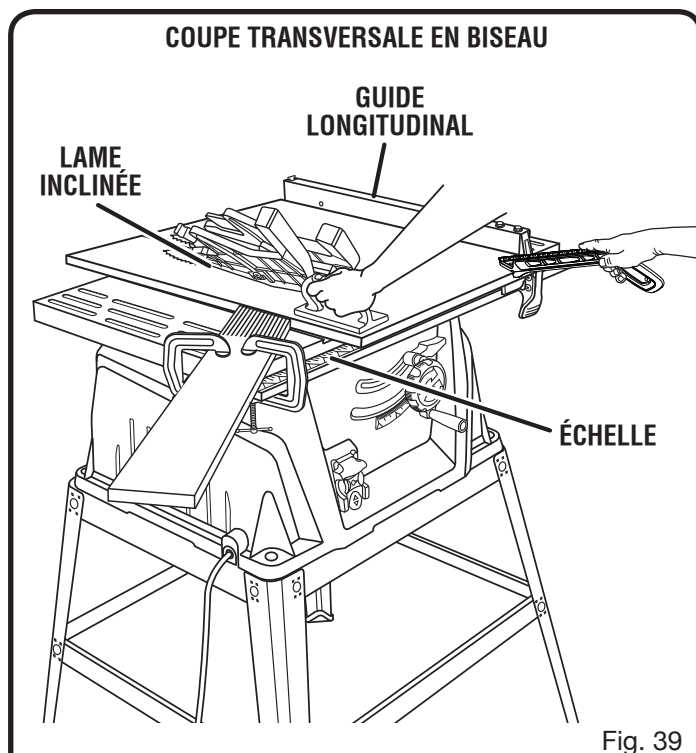


Fig. 39

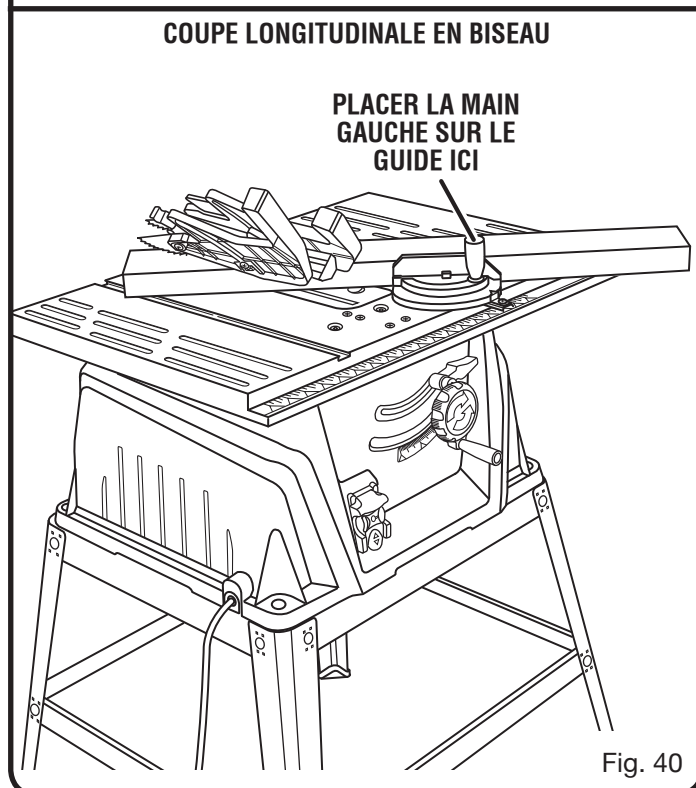


Fig. 40

NOTE : La main la plus proche de la lame doit être placée sur le bouton de verrouillage du guide d'onglet et la main la plus éloignée, sur la pièce à couper.

- Une fois la coupe effectuée, arrêter la scie. Attendre que la lame s'arrête complètement avant de retirer la pièce.

UTILISATION

COUPE NON TRAVERSANTE

Voir la figure 41.

AVERTISSEMENT :

NE PAS installer des lames à rainure sur cette machine. L'axe de la lame a un filetage insuffisant pour l'installation d'une lame à rainure. Monter une lame à rainure pourrait avoir pour résultat le risque de blessures graves.

Les coupes non traversantes (à faire avec une norme lame de 10 po) peuvent être effectuées avec le grain (longitudinale) ou contre le grain (transversale). L'utilisation d'une coupe non traversante est essentielle pour couper les rainures et les feuillures. **NE PAS** effectuer de coupes en biseau non traversantes sur cette machine.

Seul ce type de coupe est effectué sans le garde lame. S'assurer que le garde de lame est réinstallé après avoir exécuté de telles coupes.

Outre la présente section sur les coupes non traversantes ou de rainage, lire la section appropriée sur le type de coupe. Par exemple, si la coupe non traversante est transversale, lire et comprendre la section sur les coupes transversales avant de procéder.

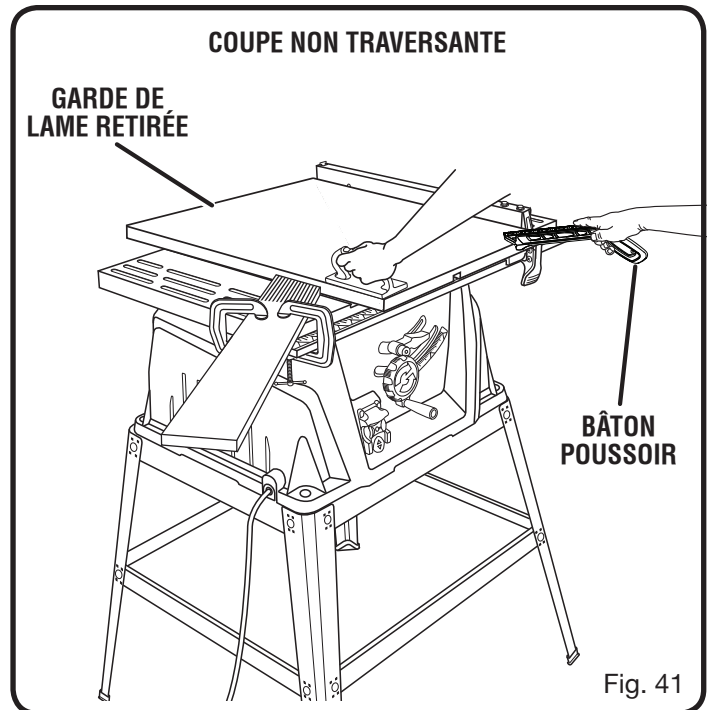
AVERTISSEMENT :

Lors d'une coupe non traversante, la lame est couverte par la pièce pendant la plus grande partie de la coupe. Se méfier de la lame exposée au début et à la fin de chaque coupe pour éviter le risque de blessures graves.

AVERTISSEMENT :

Avec les coupes non traversantes telles que les feuillures ou les rainages, ne jamais engager le bois avec les mains. Pour éviter des blessures, toujours utiliser un bloc / bâton poussoir et des cales guide.

- Débrancher la scie.
- Retirer la garde de lame et griffes antirebond.
- Placer le couteau diviseur en la position « en bas ».
- Désengager le levier de verrouillage de biseau.



- Régler l'angle du biseau à 0°.
- Engager le levier de verrouillage de biseau.
- Régler la profondeur de lame correcte pour la pièce.
- Selon la forme et de la taille du bois, utiliser le guide longitudinal ou le guide d'onglet.
- Brancher la scie et tourner le scie.
- Laisser la lame parvenir à sa vitesse maximale avant d'engager la pièce.
- Toujours utiliser un bloc poussoir, un bâton poussoir ou une cale-guide appropriée lors des coupes non traversantes, pour éviter des blessures graves.
- Une fois la coupe effectuée, arrêter la scie. Attendre que la lame s'arrête complètement avant de retirer la pièce.

Une fois toutes les coupes non traversantes terminées :

- Débrancher la scie.
- Abaisser le couteau diviseur en la position « en haut » alors installer la lame et réinstaller la garde de lame et griffes antirebond.

RÉGLAGES

⚠ AVERTISSEMENT :

Avant d'effectuer tout réglage, s'assurer que l'outil est débranché et que son commutateur est en position d'**ARRÊT (OFF)**. Le non-respect de cet avertissement pourrait entraîner des blessures graves.

Pour éviter des ajustements inutiles, il est bon de vérifier les réglages soigneusement au moyen d'une équerre de charpentier et de pratiquer des coupes d'essais sur des chutes, avant de travailler sur une bonne pièce. Ne procéder à aucun réglage avant d'avoir effectué des vérifications avec une équerre et exécuté des coupes d'essai, pour s'assurer que des réglages sont nécessaires.

REMPACEMENT DE LA LAME

Voir les figures 42 à 44.

La traie de scie lame doit être dans les limites affranchies sur le couteau diviseur.

- Débrancher la scie.
- Lever la lame à la hauteur maximum en tournant et retirer la garde de lame et griffes antibond.
- Abaisser la lame et retirer la plaque de gorge.
- S'assurer que le levier de verrouillage de biseau est verrouillé.
- Relever la lame au maximum en tournant.
- Insérer la ouvrir clé de lame méplats de axe de lame.
- Engager l'extrémité fermeture de clé de lame sur l'écrou. L'avoir les deux clés fermement, tirer l'hors de la clé (le côté de droite) en avant pendant que ouvrir clé de lame (le côté gauche) au arrière de la scie. Retire la écrou.
- Déverrouiller segurar la palanca de afloje et retirer la lame.

NOTE : L'axe de lame est enfile de droite.

Installation d'une lame standard :

- Placer la lame sur l'axe (pour qu'elle fonctionne correctement, ses dents doivent être orientées vers le bas et l'avant de la scie).
- Installer la rondelle de la lame et écrou de lame sur axe de lame. S'assurer que le côté concave de la rondelle est placé contre la lame et que toutes les pièces sont bien serrées contre le support de l'axe. S'assurer que écrou de lame soit fermement serré. Ne pas trop serrer.
- Verrouiller le levier de dégagement.
- Faire tourner la lame à la main pour s'assurer qu'elle fonctionne librement.
- Abaisser la lame et remettre la plaque à gorge en place.
- Vérifier que la lame tourne librement, sans toucher quoi que ce soit.

NOTE : Pour l'installation d'une lame spéciale, suivre les instructions fournies avec cette lame.

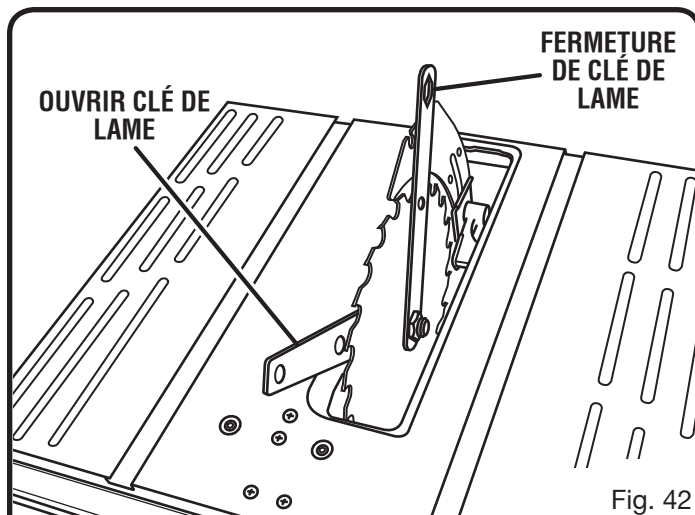


Fig. 42

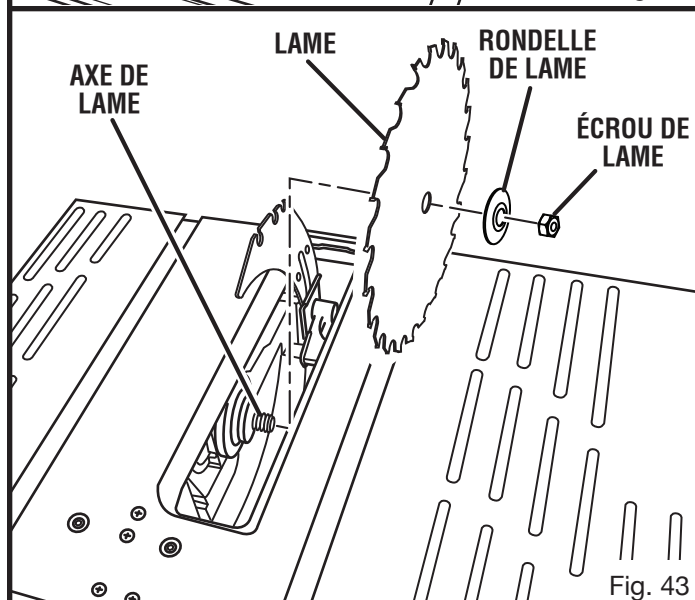


Fig. 43

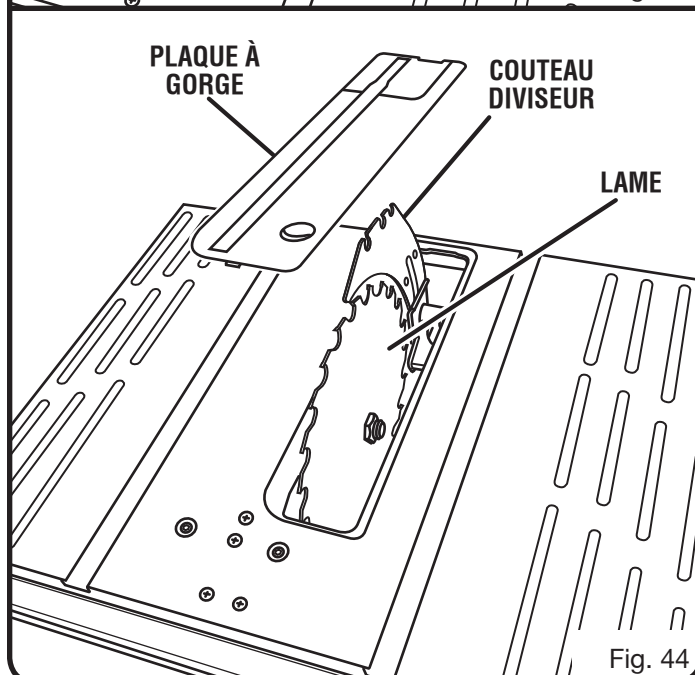


Fig. 44

RÉGLAGES

RÉGLAGE DE LA LAME À 0 ET 45°

Voir les figures 45 - 47.

La scie a été réglée en usine et, à moins qu'elle ait été endommagée en cours de transport, aucun réglage ne devrait être nécessaire. Après un usage prolongé, il peut être nécessaire de vérifier les réglages.

- Débrancher la scie.
- Relever la lame.
- Retirer le ensemble la garde de lame.

Si la lame n'est pas parfaitement verticale (0°) :

- Desserrer le vis de réglage et le levier de verrouillage de biseau.
- Placer une équerre combinée à côté de la lame, sur la en bas. Pousser le levier de verrouillage de biseau et resserrer le vis le réglage.
- Tourner le poignée, jusqu'à ce que l'indicateur pointe sur zéro. Si l'indicateur ne pointe pas exactement sur zéro alors que la poignée est tournée à fond, il peut être nécessaire d'ajuster l'indicateur de biseau.

NOTE : Le réglage de l'indicateur exige le retrait de la poignée.

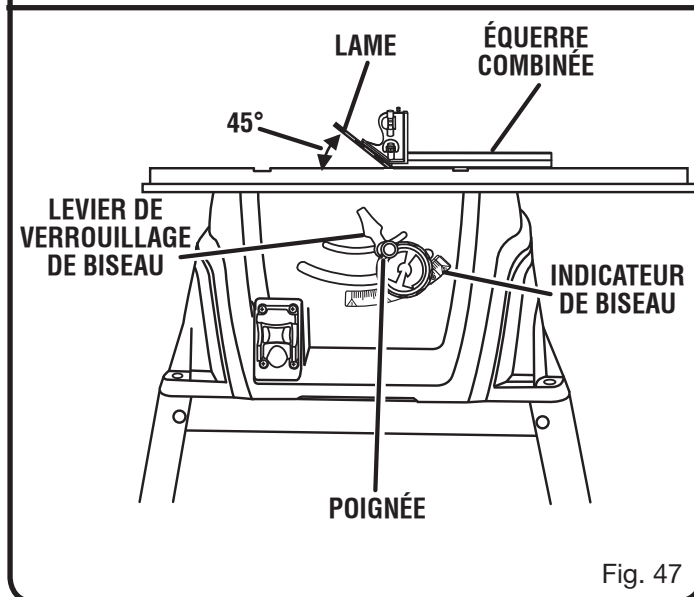
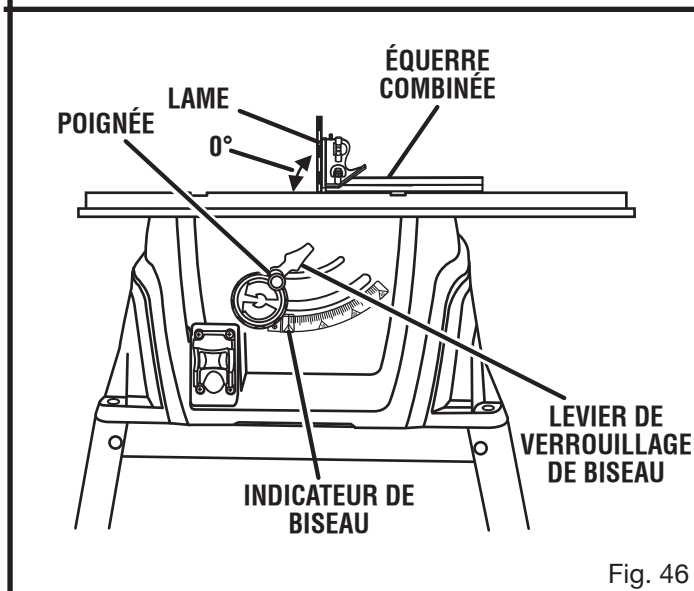
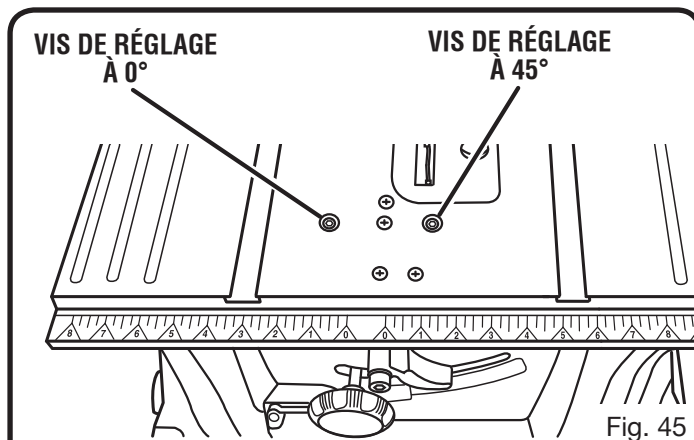
Si la lame n'est pas parfaitement à 45° :

- Desserrer le vis de réglage et le levier de verrouillage de biseau.
- Placer une équerre combinée à côté de la lame, sur la gauche.
- Tourner la poignée jusqu'à ce que le bas de la lame se trouve complètement du côté gauche de la fente. Pousser le levier de verrouillage de biseau pour conserver le réglage.
- Si la lame n'est pas parfaitement à 45°, desserrer le vis de réglage 45° et le levier de verrouillage de biseau.
- Placer l'indicateur d'onglet sur 45°.
- Effectuer une coupe d'essai.

VÉRIFICATION DE L'ALIGNEMENT DU GUIDE LONGITUDINAL SUR LA LAME

Voir la figure 48.

Le guide longitudinal doit être installé en parallèle avec la lame et les rainures du guide d'onglet.



RÉGLAGES

⚠ AVERTISSEMENT :

Un guide longitudinal incorrectement aligné peut causer des rebonds et des blocages. Pour réduire les risques de blessures, maintenir l'alignement correct du guide longitudinal.

- Débrancher la scie.
- Relever le levier de verrouillage afin de pouvoir déplacer le guide longitudinal.
- Placer une équerre de charpentier à côté de la lame et amener le guide contre l'équerre. Relever la dimension de l'échelle graduée.
- Ramener le guide à sa position initiale et tourner l'équerre de 180° pour vérifier l'autre côté.
- Si les deux dimensions sont différentes, desserrer les deux boulons du guide et l'aligner.
- Resserrer les deux boulons.
- Effectuer deux ou trois coupes d'essai sur des chutes de bois. Si les coupes ne sont pas précises, reprendre les étapes précédentes.

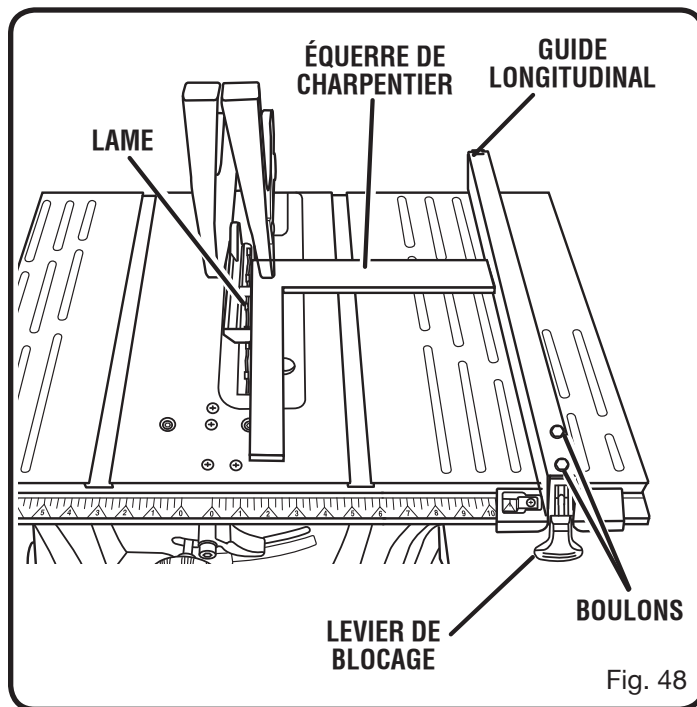


Fig. 48

ENTRETIEN

⚠ AVERTISSEMENT :

Utiliser exclusivement des pièces d'origine pour les réparations. L'usage de toute autre pièce pourrait créer une situation dangereuse ou endommager l'outil.

⚠ AVERTISSEMENT :

Toujours porter une protection oculaire certifiée conforme à la norme ANSI Z87.1 lors de l'utilisation de produit. Si une opération dégage de la poussière, porter également un masque anti-poussière.

⚠ AVERTISSEMENT :

Avant d'effectuer tout entretien, assurez-vous que l'outil est débranchée et que le commutateur est en position **ARRÊT (O)**. Le non-respect de cette règle peut occasionner de graves blessures.

ENTRETIEN GÉNÉRAL

Éviter d'utiliser des solvants pour le nettoyage des pièces en plastique. La plupart des matières plastiques peuvent être endommagées par divers types de solvants du commerce. Utiliser un chiffon propre pour éliminer la saleté, la poussière, l'huile, la graisse, etc.

⚠ AVERTISSEMENT :

Ne jamais laisser de liquides tels que le fluide de freins, l'essence, les produits à base de pétrole, les huiles pénétrantes, etc., entrer en contact avec les pièces en plastique. Les produits chimiques peuvent endommager, affaiblir ou détruire le plastique, ce qui peut entraîner des blessures graves.

- Vérifier régulièrement le serrage et l'état de tous les colliers, écrous boulons et vis. S'assurer que la plaque à gorge est en bon état et bien en place.
- Vérifier la garde de lame.
- Appliquer périodiquement de la cire en pâte sur la table, le guide et les rails pour assurer un fonctionnement en douceur.
- Éliminer la sciure se trouvant au-dessous de la table et entre les dents de la lame pour protéger cette dernière. Utiliser un solvant à résine pour le nettoyage des dents de la lame.
- **Nettoyer les pièces en plastique uniquement avec un chiffon doux humide. NE PAS** utiliser de produits en aérosol ni de solvants pétroliers.

LUBRIFICATION

Tous les roulements de cet outil sont enduits d'une quantité suffisante de lubrifiant de haute qualité pour la durée de vie de l'outil, dans des conditions d'utilisation normales. Aucune autre lubrification n'est donc nécessaire.

DÉPANNAGE

| Problème | Cause | Solution |
|--|--|--|
| Vibrations excessives. | Lame déséquilibrée. Lame endommagée. La scie n'est pas solidement assujettie. Surface de travail irrégulière. Lame voilée. | Remplacer la lame. Remplacer la lame. Serrer tous les écrous, vis et boulons. Repositionner sur une surface plane. Vérifier le montage de la lame. Remplacer la lame si nécessaire. |
| Le guide longitudinal ne se déplace pas en douceur. | Guide longitudinal pas correctement installé. Rails encrassés ou collants. Vis de serrage déréglée. | Réinstaller le guide longitudinal. Nettoyer et cirer les rails. Tourner la vis de serrage vers la gauche. |
| Le guide longitudinal ne se verrouille pas à l'arrière. | Vis de serrage déréglée. | Tourner la vis de serrage vers la droite. |
| La lame se bloque ou brûle le bois. | Lame émoussée. Lame désalignée. Pièce à couper avancée trop rapidement. Guide longitudinal mal aligné. Planche voilée. Couteau diviseur mal aligné. | Remplacer ou affûter la lame. Voir « Mise en parallèle de la lame sur la rainure du guide d'onglet ». Ralentir l'avance. Aligner le guide longitudinal. Changer de pièce à couper. Toujours couper avec le côté convexe face à la table. Voir « Vérification et alignement du couteau diviseur et la lame », à la section Assemblage. |
| Le chant de la pièce n'est pas appuyé contre le guide longitudinal lors de la refente. | Lame incorrectement affûtée ou installée. | Affûter ou ajuster la lame. |

DÉPANNAGE

| Problème | Cause | Solution |
|---|---|--|
| Les coupes à 90 ou 45° sont imprécises. | Les butées de l'intérieur du bâti doivent être réglées (coupes en biseau). Guide d'onglet pas correctement aligné (coupe d'onglets). | Régler les butées fixes. Régler le guide d'onglet. |
| Le volant de réglage de hauteur / biseau est difficile à tourner. | Les engrenages ou la vis sans fin de l'intérieur de l'armoire sont bloqués par de la sciure. | Nettoyer les engrenages ou la vis sans fin. |
| La scie ne démarre pas. | Cordon du moteur ou prolongateur pas branché. Fusible de circuit grillé. Disjoncteur déclenché. Cordon ou commutateur endommagé. | Brancher le cordon du moteur ou le prolongateur. Remplacer le fusible. Réarmer le disjoncteur. Faire remplacer le cordon ou le commutateur dans un centre de réparations agréé. |
| La lame ne coupe pas correctement. | Lame émoussée ou encrassée. Lame de type incorrect pour la coupe. Lame montée à l'envers. | Nettoyer, affûter ou remplacer la lame. Utiliser une lame de type approprié. Réinstaller la lame. |
| La lame ne s'abaisse pas lorsque le volant de réglage de hauteur / biseau est tourné. | Le levier de verrouillage n'est pas poussé à fond vers en bas. | Pousser le levier à fond vers en bas. |
| Le moteur force lors d'une coupe longitudinale. | Lame incorrecte pour la coupe longitudinale. | Remplacer la lame par une lame pour coupe longitudinale, qui en général comporte moins de dents. |

REGLAS DE SEGURIDAD GENERALES

ADVERTENCIA:

Lea y asegúrese de entender todas las instrucciones. El incumplimiento de las instrucciones siguientes puede ser causa de descargas eléctricas, incendios y lesiones graves.

LEA TODAS LAS INSTRUCCIONES

- **FAMILIARÍCESE CON SU HERRAMIENTA ELÉCTRICA.** Lea cuidadosamente el manual del operador. Aprenda los usos y limitaciones de la sierra, así como los posibles peligros específicos de esta herramienta.
- **PROTÉJASE DE DESCARGAS ELÉCTRICAS EVITANDO TOCAR CON EL CUERPO SUPERFICIES CONECTADAS A TIERRA.** Por ejemplo, tubos, radiadores, estufas y cajas de refrigeradores.
- **MANTENGA LAS PROTECCIONES COLOCADAS** y en buenas condiciones de trabajo.
- **RETIRE TODA LLAVE Y HERRAMIENTA DE AJUSTE.** Hágame el hábito de comprobar que se haya retirado de la herramienta eléctrica toda llave y herramienta de ajuste antes de encenderla.
- **MANTENGA LIMPIA LA ZONA DE TRABAJO.** Una mesa o zona de trabajo mal despejada es causa común de accidentes. **NO** deje herramientas o piezas de madera en la sierra mientras esté funcionando.
- **NO UTILICE LA HERRAMIENTA EN ENTORNOS PELIGROSOS.** No utilice herramientas eléctricas en lugares húmedos o mojados ni las exponga a la lluvia. Mantenga bien iluminada el área de trabajo.
- **MANTENGA ALEJADOS A LOS NIÑOS Y DEMÁS CIRCUNSTANTES.** Todos los presentes deben usar anteojos de seguridad y permanecer a una distancia segura del área de trabajo. No permita que ninguno de los presentes toque la herramienta ni la extensión eléctrica mientras la unidad esté funcionando.
- **HAGA SU TALLER A PRUEBA DE NIÑOS,** con candados, interruptores maestros y retirando las llaves de arranque.
- **NO FUERCE LA HERRAMIENTA.** Funcionará mejor y con mayor seguridad si se usa a la velocidad de avance para la que fue diseñada.
- **USE LA HERRAMIENTA APROPIADA EN CADA CASO.** No fuerce la herramienta ni ningún accesorio a efectuar tareas para las que no fueron hechos. No la use para propósitos no indicados en las instrucciones.
- **USE UN CABLE DE EXTENSIÓN ADECUADO.** Asegúrese de que la extensión eléctrica esté en buen estado. Si se utiliza un cable de extensión, debe ser del calibre suficiente para soportar la corriente que consume el producto. Un cordón de grosor insuficiente causará una caída del voltaje de línea, lo que produce recalentamiento y pérdida de potencia. Se recomienda un calibre mínimo de 14 (A.W.G.) para cables de extensión de 7,6 metros (25 pies) de largo o menos. Si tiene alguna duda, utilice un cable del calibre más grueso siguiente. Cuanto menor es el número de calibre, tanto mayor es el grosor del cordón.
- **USE ROPA ADECUADA.** No use ropa holgada, guantes flojos, corbata ni alhajas. Podrían engancharse y tirar de usted hacia partes en movimiento. Si tiene el pelo largo, cúbrase para que quede recogido.
- **SIEMPRE UTILICE PROTECCIÓN OCULAR QUE CUBRA LOS LATERALES CON LA ETIQUETA QUE INDIQUE EL CUMPLIMIENTO DE LA NORMA ANSI Z87.1.** La inobservancia

de esta advertencia podría provocar que se le metan objetos en los ojos, lo que puede provocar lesiones graves.

- **AFIANCE LA PIEZA DE TRABAJO.** Cuando convenga, sujete la pieza de trabajo con prensas de mano o de banco. Es más seguro que detenerla manualmente y así ambas manos quedan libres para manejar la herramienta.
- **NO SE ESTIRE PARA ALCANZAR OBJETOS.** Mantenga una postura firme y buen equilibrio en todo momento.
- **PROPORCIONE UN MANTENIMIENTO CUIDADOSO A LAS HERRAMIENTAS.** Manténgalas afiladas y limpias para que funcionen mejor y sin riesgos. Siga las instrucciones referentes al cambio y lubricación de accesorios.
- **DESCONECTE LAS HERRAMIENTAS.** Todas las herramientas deben desconectarse cuando ya no vayan a usarse o cuando deban cambiarse aditamentos, hojas de corte, brocas, fresas, etc.
- **EVITE UN ARRANQUE ACCIDENTAL DE LA UNIDAD.** Antes de conectar la herramienta a la corriente, compruebe que el interruptor esté en posición de apagado.
- **USE LOS ACCESORIOS RECOMENDADOS.** Consulte este manual del operador, donde aparecen los accesorios recomendados. El empleo de accesorios inadecuados puede plantear el riesgo de lesiones.
- **NO SE PARE NUNCA EN LA HERRAMIENTA.** Pueden producirse lesiones graves si la herramienta eléctrica se vuelca o si se toca accidentalmente la herramienta de corte.
- **INSPECCIONE LAS PIEZAS DAÑADAS.** Antes de seguir utilizando la herramienta, es necesario inspeccionar cuidadosamente toda protección o pieza dañada, para verificar si funcionará correctamente y cumplirá la función a la que está destinada. Compruebe que las partes móviles estén bien alineadas y que no estén trabadas, que no haya piezas rotas, el montaje de las partes y cualquier otra condición que pudiera afectar su funcionamiento. Toda protección o pieza que esté dañada debe repararse apropiadamente o reemplazarse en un centro de servicio autorizado.
- **AVANCE LA PIEZA DE TRABAJO EN LA DIRECCIÓN CORRECTA.** Empuje la pieza de trabajo hacia la hoja o herramienta de corte solamente contra el sentido de rotación de ésta.
- **NUNCA DEJE DESATENDIDA LA HERRAMIENTA FUNCIONANDO. APAGUE LA CORRIENTE.** No se aleje de la herramienta hasta ver que se detenga totalmente.
- **PROTÉJASE LOS PULMONES.** Use una careta o mascarilla contra el polvo si la operación de corte genera mucho polvo.
- **PROTÉJASE EL OÍDO.** Durante períodos largos de uso de la unidad póngase protección para los oídos.
- **NO MALTRATE EL CABLE ELÉCTRICO.** Nunca tire del cable para desconectarlo de la toma de corriente. Mantenga el cable eléctrico alejado del calor, del aceite y de bordes afilados.
- **AL UTILIZAR UNA HERRAMIENTA ELÉCTRICA EN EL EXTERIOR, UTILICE UN CORDÓN ELÉCTRICO DE EXTENSIÓN QUE LLEVE LAS MARCAS "W-A" O "W".** Estos cordones eléctricos están aprobados para el uso en exteriores y reducen el riesgo de descargas eléctricas.
- **SIEMPRE MANTENGA EL PROTECTOR DE LA HOJA Y EL SEPARADOR (PLACA ABRIDORA) EN SU LUGAR** y en buenas condiciones de funcionamiento.
- **MANTENGA LAS HOJAS DE CORTE LIMPIAS Y AFILADAS.** Las hojas de corte afiladas reducen al mínimo los paros y los contragolpes.

REGLAS DE SEGURIDAD GENERALES

- **MANTENGA LAS MANOS ALEJADAS DEL ÁREA DE CORTE.** Mantenga las manos alejadas de la hoja de corte. No meta las manos por abajo de la pieza de trabajo ni alrededor o por encima de la hoja de corte mientras ésta está girando. No intente retirar ningún material cortado mientras la hoja de corte esté girando.
- **LA HOJA DE CORTE CONTINÚA GIRANDO POR INERCIA DESPUÉS DE APAGAR LA UNIDAD.**
- **NUNCA UTILICE LA UNIDAD EN UNA ATMÓSFERA EXPLOSIVA.** El chispeo normal del motor podría encender los gases presentes.
- **REVISE PERIÓDICAMENTE LOS CABLES DE LA HERRAMIENTA.** Si están dañados, llévelos a un centro de servicio autorizado para que los revise un técnico de servicio calificado. El conductor con aislamiento que tiene una superficie exterior verde con o sin tiras amarillas es el conductor de conexión a tierra del equipo. Si el cable o la clavija necesitan reparación o reemplazo, no conecte el conductor de conexión a tierra a una terminal portadora de corriente. Repare o reemplace de inmediato todo cable dañado o gastado. Tenga presente siempre la ubicación del cable y manténgalo bien alejado de la hoja giratoria.
- **REVISE PERIÓDICAMENTE LOS CABLES DE EXTENSIÓN** y reemplácelos si están dañados.
- **CONECTE A TIERRA TODA HERRAMIENTA ELÉCTRICA.** Si la herramienta está provista de una clavija de tres puntas, debe conectarse en un enchufe eléctrico de tres polos.
- **CONSULTE A UN ELECTRICISTA CALIFICADO** o técnico de servicio si no ha comprendido completamente las instrucciones de conexión a tierra o si no está seguro de que la herramienta está bien conectada a tierra.
- **USE SOLAMENTE LOS DISPOSITIVOS ELÉCTRICOS CORRECTOS:** cables de extensión de 3 conductores, con clavijas de tres puntas y contactos de tres polos que acepten la clavija del cable de la herramienta.
- **NO MODIFIQUE** la clavija suministrada. Si no entra en la toma de corriente, llame a un electricista calificado para que instale una toma de corriente adecuada.
- **MANTENGA LA HERRAMIENTA SECA, LIMPIA Y LIBRE DE ACEITE Y GRASA.** Siempre utilice un paño limpio para limpiar la unidad. No use nunca líquido para frenos, gasolina, productos a base de petróleo ni solventes para limpiar la herramienta.
- **PERMANEZCA ALERTA Y EN CONTROL.** Preste atención a lo que esté haciendo y aplique el sentido común. No utilice la herramienta cuando esté cansado. No haga las cosas con prisa.
- **NO USE LA HERRAMIENTA SI EL INTERRUPTOR NO ENCIENDE O NO APAGA.** Todo interruptor defectuoso debe llevarse a reparar a un centro de servicio autorizado.
- **USE SÓLO LAS HOJAS DE CORTE CORRECTAS.** No use hojas con orificios de tamaño incorrecto. Nunca utilice arandelas ni pernos de hoja de corte que estén dañados o no sean los adecuados. La sierra admite hojas de un diámetro máximo de 254 mm (10 pulg).
- **ANTES DE EFECTUAR UN CORTE VERIFIQUE QUE TODOS LOS COMPONENTES PRESENTEN EL AJUSTE CORRECTO.**
- **ASEGÚRESE DE QUE NO HAYA CLAVOS EN LA TRAYECTORIA DE LA HOJA.** Inspeccione la madera en busca de clavos y elimínelos todos antes de empezar a cortar.
- **NUNCA TOQUE LA HOJA** ni ninguna otra pieza en movimiento durante el funcionamiento de la unidad.
- **NUNCA ARRANQUE LA HERRAMIENTA CUANDO UN COMPONENTE GIRATORIO ESTÉ EN CONTACTO CON LA PIEZA DE TRABAJO.**
- **NO UTILICE NINGUNA HERRAMIENTA SI SE ENCUENTRA BAJO LOS EFECTOS DE DROGAS, ALCOHOL O MEDICAMENTOS.**
- **AL DAR MANTENIMIENTO** a la unidad, utilice solamente piezas de repuesto idénticas. El empleo de piezas diferentes puede causar un peligro o dañar el producto.
- **UTILICE SOLAMENTE LOS ACCESORIOS** señalados en este manual o en los apéndices. El uso de accesorios no mencionados en este manual plantea el riesgo de que ocurran lesiones corporales. Cada accesorio se acompaña de instrucciones para su uso sin riesgos.
- **REVISE DOS VECES TODA LA CONFIGURACIÓN DE LA HERRAMIENTA.** Asegúrese de que la hoja esté apretada y de que no toque la sierra ni la pieza de trabajo antes de conectar la unidad al suministro de corriente.

REGLAS DE SEGURIDAD ESPECÍFICAS

- **ATORNILLE FIRMEMENTE LA SIERRA A UN BANCO DE TRABAJO O PEDESTAL DE PATAS** aproximadamente a la altura de la cadera.
- **NO HAGA FUNCIONAR LA SIERRA SIN QUE LA BASE ESTÉ SOBRE EL PISO.**
- **PROTÉJASE DE UN CONTRAGOLPE.** El contragolpe sucede cuando la hoja se detiene rápidamente y la pieza de trabajo sale proyectada hacia el operador. Puede tirar de la mano hacia la hoja y producir lesiones corporales graves. Manténgase fuera de la trayectoria de la hoja y apague de inmediato el interruptor si la hoja se traba o se detiene.
- **USE LA GUÍA DE CORTE AL HILO.** Siempre utilice una guía o una regla (tira recta) al efectuar cortes al hilo.
- **APOYE LOS PANELES GRANDES.** Para reducir al mínimo el riesgo de que la hoja de corte se trabe y se produzca un contragolpe, apoye debidamente los paneles grandes.
- **RETIRE TODAS LAS GUÍAS Y MESAS AUXILIARES** antes de transportar la sierra. De lo contrario, puede producirse un accidente que origine lesiones corporales graves.
- **SIEMPRE USE EL PROTECTOR DE LA HOJA DE CORTE, EL CUCHILLA SEPARADOR Y LOS TRINQUETES ANTICONTRAGOLPE** en todas las operaciones de “aserrado con traspaso”. Las operaciones de aserrado con traspaso son aquéllas en que la hoja corta traspasando completamente la pieza de trabajo, como en el corte al hilo o el transversal. Mantenga abajo el protector de la hoja y los trinquetes anticontragolpe, y el cuchilla separador en su lugar, por encima de la hoja.
- **SIEMPRE ASEGURE LA PIEZA DE TRABAJO** firmemente contra la guía de corte al hilo o la guía de corte a inglete.
- **SIEMPRE UTILICE UN PALO DE EMPUJAR AL ASERRAR AL HILO PIEZAS ANGOSTAS.** Un palo empujador es un implemento que sirve para empujar la pieza de trabajo por la hoja de corte en lugar hacerlo con las manos. El tamaño y la forma pueden variar, pero el palo de empujar siempre debe

REGLAS DE SEGURIDAD ESPECÍFICAS

- ser más angosto que la pieza de trabajo, para evitar que toque la hoja de la sierra. Al aserrar al hilo material estrecho, use siempre un palo de empujar, o la sierra vaivén mencionado en la sección *Cómo hacer un serrado* (para piezas de trabajo de cortes transversales estrechos) de este manual, de manera que la mano no se acerque a la hoja de la sierra. Para cortes parciales sin traspaso utilice un peine y bloques empujadores.
- **AL HACER CORTES AL HILO NO PASANTE**, siempre utilice un palo empujador, bloque empujador y/o peine de sujeción tan sus manos no vienen dentro de 3 pulg. de la hoja de sierra.
 - **AL CORTE LONGITUDINAL ESTRECHE ACCIONES**, siempre utilice un palo empujador, bloque empujador, serrado (diseñado para cortes transversales estrechos), y/o peine de sujeción.
 - **NUNCA** realice ninguna operación “a pulso”, o sea nunca use solamente las manos para dar apoyo o guiar la pieza de trabajo. Siempre use la guía de corte al hilo o la guía de corte a inglete y oriente la pieza de trabajo.
 - **NUNCA** se pare ni tenga ninguna parte del cuerpo en línea con la trayectoria de la hoja de la sierra.
 - **NUNCA** se estire por detrás o por encima de la hoja o herramienta de corte, ni a menos de 76 mm (3 pulg) de ésta, con ninguna mano, por ninguna razón.
 - **SIEMPRE RETIRE LA GUÍA DE CORTE AL HILO** de la sierra al realizar cortes transversales.
 - **NO UTILICE LA GUÍA DE CORTE A INGLETE Y LA DE CORTE AL HILO** en la misma operación de corte.
 - **NUNCA** utilice la guía de corte al hilo como guía tope al efectuar cortes transversales.
 - **NUNCA** intente liberar la hoja de la sierra cuando esté trabada, sin antes **APAGAR** y desconectar la sierra de la toma de corriente.
 - **APOYE ADECUADAMENTE** la parte posterior y los lados de la mesa de la sierra al cortar piezas de trabajo anchas o largas.
 - **EVITE CONTRAGOLPES** (que la pieza de trabajo salga lanzada hacia usted) haciendo lo siguiente:
 - a) Mantenga limpia la hoja.
 - b) Mantenga la guía de corte al hilo paralela a la hoja de la sierra.
 - c) Mantenga el cuchilla separador, los trinquetes anti-contragolpe y el protector de la hoja en su lugar y en buenas condiciones de funcionamiento.
 - d) No suelte la pieza de trabajo hasta haberla hecho pasar por completo por la sierra, con un empujador.
 - e) No corte al hilo piezas de trabajo torcidas o combas o que no tengan un canto recto que permita dirigir las por la guía de corte al hilo.
 - **SI ESTÁ DAÑADO EL CORDÓN DE CORRIENTE**, debe ser reemplazado únicamente por el fabricante o en un centro de servicio autorizado para evitar riesgos.
 - **EVITE OPERACIONES Y POSICIONES EXTRAÑAS DE LAS MANOS** en las cuales un deslizamiento rápido puede hacer que la mano toque la herramienta de corte.
 - **USE SOLAMENTE LOS ACCESORIOS** señalados en este manual o en los apéndices. El uso de accesorios no mencionados en este manual plantea el riesgo de que ocurran lesiones corporales. Cada accesorio se acompaña de instrucciones para su uso sin riesgos.
 - **ASEGÚRESE DE QUE TODA EL ÁREA DE TRABAJO ESTÉ BIEN ILUMINADA** para ver la pieza de trabajo y que ninguna obstrucción impida una operación segura **ANTES** de efectuar cualquier trabajo con la sierra.
 - **SIEMPRE APAGUE LA SIERRA** antes de desconectarla, para evitar un arranque accidental de la misma al volver a conectarla al suministro de corriente.
 - **UTILICE SOLAMENTE LAS HOJAS** dentro de la gama del espesor estampó en el separador/cuchilla separadora.
 - **ESTA HERRAMIENTA** tendrá los siguientes avisos:
 - a) Póngase protección ocular.
 - b) Utilice la protección de la hoja y la cuchilla separador en toda operación en la que pueda usarse, como el aserrado con traspaso.
 - c) Mantenga las manos alejadas de la línea de la hoja de corte.
 - d) Cuando se requiera, utilice un palo de empujar.
 - e) Preste especial atención a las instrucciones sobre cómo reducir el riesgo de un contragolpe.
 - f) No efectúe a pulso ninguna operación.
 - g) Nunca trate de alcanzar nada cerca o por encima de la hoja de corte.
 - h) Nunca utilice la sierra en el piso ni debajo de altura de cintura.
 - **NUNCA CORTE MÁS DE UN PEDAZO DE MATERIAL A LA VEZ.**
 - **GUARDE ESTAS INSTRUCCIONES.** Consúltelas con frecuencia y empléelas para instruir a otros usuarios. Si presta a alguien esta herramienta, facilítele también las instrucciones.

CALIFORNIA - PROPUESTA DE LEY NÚM. 65

ADVERTENCIA:

Este producto y algunos polvos generados al efectuarse operaciones de lijado, aserrado, esmerilado, taladrado y otras actividades de la construcción, contienen sustancias químicas reconocidas por el estado de California como causantes de cáncer, defectos congénitos y otras afecciones del aparato reproductor. **Lávese las manos después de utilizar el aparato.**




Algunos ejemplos de estas sustancias químicas son:

- plomo de las pinturas a base de plomo,
- sílice cristalino de los ladrillos, del cemento y de otros productos de albañilería, y
- arsénico y cromo de la madera químicamente tratada.






El riesgo de la exposición a estos compuestos varía, según la frecuencia con que se realice este tipo de trabajo. Para reducir la exposición personal, trabaje en áreas bien ventiladas, y con equipo de seguridad aprobado, tal como las caretas para el polvo especialmente diseñadas para filtrar partículas microscópicas.

SÍMBOLOS

Las siguientes palabras de señalización y sus significados tienen el objeto de explicar los niveles de riesgo relacionados con este producto.

| SÍMBOLO | SEÑAL | SIGNIFICADO |
|---|---------------------|---|
|  | PELIGRO: | Indica una situación peligrosa, la cual, si no se evita, causará la muerte o lesiones serias. |
|  | ADVERTENCIA: | Indica una situación peligrosa, la cual, si no se evita, podría causar la muerte o lesiones serias. |
|  | PRECAUCIÓN: | Indica una situación peligrosa, la cual, si no se evita, podría causar lesiones menores o leves. |
| | AVISO: | (Sin el símbolo de alerta de seguridad) Indica la información que se considera importante, pero no relacionada con lesiones potenciales (por ej. en relación a daños a la propiedad). |

Es posible que se empleen en esta herramienta algunos de los siguientes símbolos. Le suplicamos estudiarlos y aprender su significado. Una correcta interpretación de estos símbolos le permitirá utilizar mejor y de manera más segura la herramienta.

| SÍMBOLO | NOMBRE | DENOMINACIÓN/EXPLICACIÓN |
|---|---------------------------------|---|
|  | Alerta de seguridad | Indica un peligro posible de lesiones personales. |
|  | Lea el manual del operador | Para reducir el riesgo de lesiones, el usuario debe leer y comprender el manual del operador antes de usar este producto. |
|  | Protección ocular | Siempre póngase protección ocular con protección lateral con la marca de cumplimiento de la norma ANSI Z87.1. |
|  | Símbolo de no acercar las manos | Si no mantiene las manos alejadas de la hoja de corte, se causará serias lesiones corporales. |
|  | Alerta de condiciones húmedas | No exponga la unidad a la lluvia ni la use en lugares húmedos. |
| V | Volts | Voltaje |
| A | Amperes | Corriente |
| Hz | Hertz | Frecuencia (ciclos por segundo) |
| min | Minutos | Tiempo |
| ~ | Corriente alterna | Tipo de corriente |
| n_0 | Velocidad en vacío | Velocidad de rotación, en vacío |
| .../min | Por minuto | Revoluciones, carreras, velocidad superficial, órbitas, etc., por minuto |

ASPECTOS ELÉCTRICOS

CORDONES DE EXTENSIÓN

Sólo utilice cordones de extensión de 3 conductores con clavijas de tres patillas y receptáculos de tres polos que acepten la clavija del cordón de la herramienta. Al utilizar una herramienta eléctrica a una distancia considerable del suministro de corriente, asegúrese de utilizar un cordón de extensión del grueso suficiente para soportar el consumo de corriente de la herramienta. Un cordón de extensión de un grueso insuficiente causa una caída en el voltaje de línea, además de producir una pérdida de potencia y un recalentamiento del motor. Bájese en la tabla suministrada abajo para determinar el calibre mínimo requerido de los conductores del cordón de extensión. Solamente deben utilizarse cordones con forro redondo registrados en Underwriter's Laboratories (UL).

**Amperaje (aparece en la placa frontal)

| | 0-2,0 | 2,1-3,4 | 3,5-5,0 | 5,1-7,0 | 7,1-12,0 | 12,1-16,0 |
|-------------------------------------|-------|---------|---------|---------|----------|-----------|
| Longitud del cordón | | | | | | |
| Calibre conductores (A.W.G.) | | | | | | |
| 25' | 16 | 16 | 16 | 16 | 14 | 14 |
| 50' | 16 | 16 | 16 | 14 | 14 | 12 |
| 100' | 16 | 16 | 14 | 12 | 10 | — |

**Se usa en los circuitos de calibre 12, 20 amp.

NOTA: AWG = Calibre conductores norma americana

Al trabajar a la intemperie con el producto, utilice un cordón de extensión fabricado para uso en el exterior. Tal característica está indicada con las letras "W-A" o "W" en el forro del cordón.

Antes de utilizar un cordón de extensión, inspecciónelo para ver si tiene conductores flojos o expuestos y aislamiento cortado o gastado.

⚠ ADVERTENCIA:

Mantenga el cordón de extensión fuera del área de trabajo. Al trabajar con una herramienta eléctrica, coloque el cordón de tal manera que no pueda enredarse en la madera, herramientas ni en otras obstrucciones. La inobservancia de esta advertencia puede causar lesiones serias.

⚠ ADVERTENCIA:

Inspeccione los cordones de extensión cada vez antes de usarlos. Si están dañados reemplácelos de inmediato. Nunca utilice la herramienta con un cordón dañado, ya que si toca la parte dañada puede producirse una descarga eléctrica, y las consecuentes lesiones serias.

CONEXIÓN ELÉCTRICA

Esta herramienta está impulsada por un motor eléctrico fabricado con precisión. Debe conectarse únicamente a una línea de voltaje de 120 V, de corriente alterna solamente (corriente normal para uso doméstico), 60 Hz. No utilice esta herramienta con corriente continua (c.c.). Una caída considerable de voltaje causa la pérdida de potencia y el recalentamiento del motor. Si la sierra no funciona al conectarla en una toma de corriente, vuelva a revisar el suministro de corriente.

VELOCIDAD Y CABLEADO

La velocidad en vacío de esta producto es de 5 000 r/min aproximadamente. Esta velocidad no es constante y disminuye durante el corte o con un voltaje bajo. En cuanto al voltaje,

el cableado de un taller es tan importante como la potencia nominal del motor. Una línea destinada sólo para luces no puede alimentar el motor de una herramienta eléctrica. El cable con el calibre suficiente para una distancia corta será demasiado delgado para una mayor distancia. Una línea que alimenta una herramienta eléctrica quizá no sea suficiente para alimentar dos o tres herramientas.

INSTRUCCIONES DE CONEXIÓN A TIERRA

Este producto debe conectarse a tierra. En caso de un mal funcionamiento o desperfecto, la conexión a tierra brinda a la corriente eléctrica una trayectoria de mínima resistencia para disminuir el riesgo de una descarga eléctrica. Esta herramienta está equipada de un cordón eléctrico con un conductor y una clavija de conexión a tierra para equipo. La clavija debe conectarse en una toma de corriente igual que esté instalada y conectada a tierra correctamente, de conformidad con los códigos y reglamentos de la localidad.

No modifique la clavija suministrada. Si no entra en la toma de corriente, llame a un electricista calificado para que instale una toma de corriente adecuada.

⚠ ADVERTENCIA:

Si se conecta de forma incorrecta el conductor de conexión a tierra del equipo puede presentarse un riesgo de descarga eléctrica. Si es necesaria la reparación o reemplazo del cordón eléctrico o de la clavija, no conecte el conductor de conexión a tierra a una terminal portadora de corriente. El conductor con aislamiento que tiene una superficie exterior verde con o sin tiras amarillas es el conductor de conexión a tierra del equipo.

Consulte a un electricista calificado o técnico de servicio si no ha comprendido completamente las instrucciones de conexión a tierra o si no está seguro si la herramienta está bien conectada a tierra.

Repáre o reemplace de inmediato todo cordón dañado o gastado.

Este producto se debe usar con un circuito de 120 V nominales y tiene una clavija de conexión a tierra similar a la clavija que se muestra en la figura 1. Conecte el producto únicamente a una toma de corriente que tenga la misma configuración que la clavija. No use un adaptador con este producto.

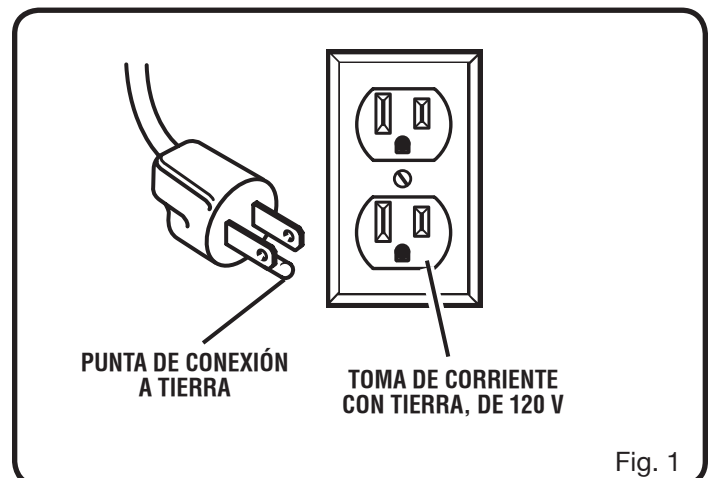


Fig. 1

GLOSARIO DE TÉRMINOS

Trinquetes anticontraGolpe (sierras radiales y de mesa)

Es un dispositivo, el cual, cuando se instala y da mantenimiento correctamente, sirve para detener la pieza de trabajo para no ser lanzada hacia atrás, hacia la parte frontal la sierra durante una operación de corte al hilo.

Árbol

Es el eje donde se monta una hoja o herramienta de corte.

Corte en bisel

Es una operación de corte efectuada con la hoja a un ángulo diferente de 90° con respecto a la superficie de la mesa.

Chaflán

Es un corte efectuado para eliminar una cuña de un bloque de manera que el extremo (o una parte del mismo) quede a un ángulo diferente de 90°.

Corte combinado

Es un corte transversal efectuado a inglete y a bisel.

Corte transversal

Es una operación de corte o fresado efectuada a través de la fibra o ancho de la pieza de trabajo.

Cabeza de corte (cepillos normales y de juntas)

Es una cabeza de corte giratoria con hojas o cuchillas ajustables. Las hojas o cuchillas eliminan material de la pieza de trabajo.

Corte de ranura (sierras de mesa y sierras ingleteadoras deslizantes combinadas)

Un corte no pasante que produce una muesca cuadrada, de tres lados o en V en la pieza de trabajo.

Peine de sujeción (sierras de mesa)

Es un dispositivo empleado como ayuda para controlar la pieza de trabajo guiándola con seguridad contra la mesa o la guía durante las operaciones de corte al hilo.

PPM o CPM

Pies por minuto (o carreras por minuto), se emplea refiriéndose al movimiento de la hoja.

A pulso

Es efectuar un corte sin guiar la pieza de trabajo con ninguna guía, guía de ingletes ni ningún otro medio.

Goma

Es el residuo pegajoso de savia presente en la madera.

Talón

Es la alineación de la hoja con respecto a la guía de corte al hilo.

Corte

Es la cantidad de material eliminado por la hoja en un corte completo con traspaso, o en una ranura producida por la hoja en un corte sin traspaso o parcial.

ContraGolpe

Es un peligro que puede ocurrir cuando la hoja se atora o se atasca, y lanza la pieza de trabajo hacia atrás, en la dirección de la hoja giratoria.

Corte a inglete

Es una operación de corte efectuada con la pieza de trabajo a un ángulo diferente de 90° con respecto a la hoja.

Cortes sin traspaso (sierras de mesa y sierras ingleteadoras deslizantes combinadas)

Es cualquier operación de corte en la cual la hoja de corte no traspasa completamente el espesor de la pieza de trabajo. Este

es un corte en el cual la hoja no corta la pieza de trabajo en dos pedazos.

Agujero guía (taladradoras de columna y sierras caladoras)

Es un agujero pequeño taladrado en una pieza de trabajo, el cual sirve como guía para taladrar con precisión agujeros más grandes o para la colocación de la hoja de la sierra caladora.

Bloques empujadores (para cepillos de juntas)

Son dispositivos empleados para avanzar la pieza de trabajo por el cepillo de juntas durante cualquier operación. Este medio ayuda al operador a mantener las manos alejadas de la cabeza de corte.

Bloques y palos empujadores (para sierras de mesa)

Son dispositivos empleados para avanzar la pieza de trabajo a través de la sierra durante operaciones de corte. Para las operaciones de cortes al hilo angostos debe emplearse un palo empujador (no un bloque empujador). Estos medios ayudan al operador a mantener las manos alejadas de la hoja de corte.

Rebaje

Un corte no pasante ubicado en el extremo o borde de la pieza de trabajo que produce una muesca cuadrada, de dos lados o en V en la pieza de trabajo.

Reaserrado (sierras de mesa y sierras de banda)

Es una operación de corte efectuada para reducir el espesor de la pieza de trabajo para hacer piezas más delgadas.

Resina

Es la sustancia pegajosa a base de savia que se endurece.

Revoluciones por minuto (RPM)

Es el número de vueltas realizadas por un objeto en movimiento de giro en un minuto.

Corte longitudinal o al hilo (sierras de mesa)

Es una operación de corte paralela al largo de la pieza de trabajo y generalmente en la dirección del grano.

Cuchilla separadora/Abridor/Separador (sierras de mesa)

Es una pieza metálica, levemente más delgada que la hoja, la cual se emplea para mantener abierto el corte y también ayuda a evitar un contraGolpe.

Trayectoria de la hoja de la sierra

Es el área encima, abajo, detrás o delante de la hoja. En relación con la pieza de trabajo, es el área que será o ha sido cortada por la hoja.

Redondeo de aristas (cepillos)

Es una depresión hecha en cualquiera de los dos extremos de una pieza de trabajo por las cuchillas de corte cuando no se proporciona un apoyo adecuado a la pieza de trabajo.

Cónico Corte

Un corte donde el material para ser corte tiene una anchura diferente al principio del corte del el fin.

Aserrado con traspaso

Es cualquier operación de corte en la cual la hoja de corte traspasa completamente el espesor de la pieza de trabajo. Este tipo de corte separa la pieza de trabajo simple en dos pedazos.

Pieza de trabajo o material

Es la pieza a la que se efectúa la operación.

Mesa

Es la superficie sobre la cual descansa la pieza de trabajo mientras se le efectúa una operación de corte, taladrado, cepillado o lijado.

CARACTERÍSTICAS

ESPECIFICACIONES DEL PRODUCTO

Árbol de la hoja de corte 16 mm (5/8 pulg.)
Diámetro de la hoja 254 mm (10 pulg.)
Inclinación de la hoja..... 0° - 45°
Especificaciones eléctricas 120 V~, 60 Hz

Corriente de entrada 15 A
Velocidad en vacío 5 000 r/min (RPM)
Profundidad de corte a 0°:..... 76,2 mm (3 pulg.)
Profundidad de corte a 45°:..... 63.5 mm (2-1/2 pulg.)

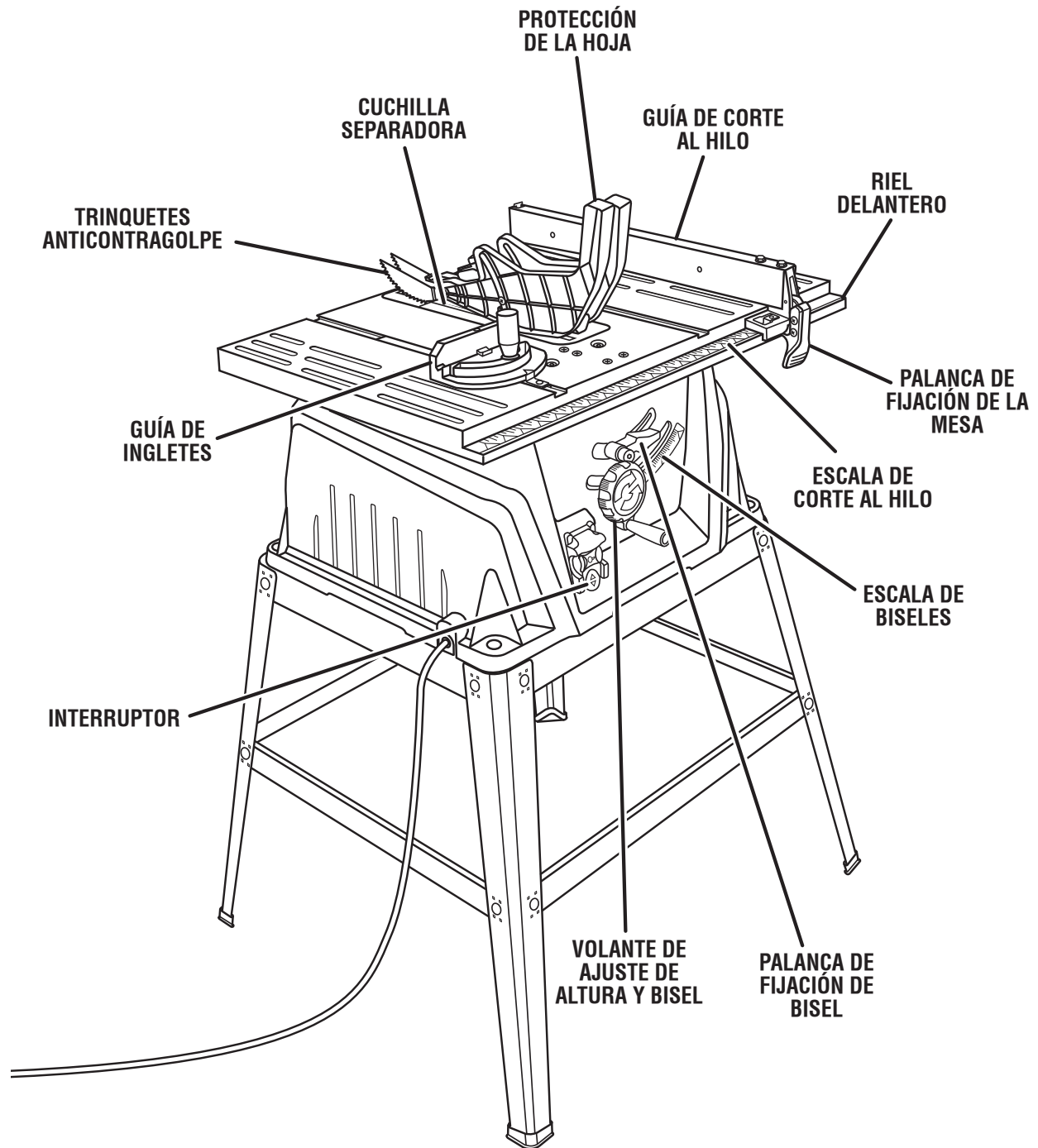


Fig. 2

CARACTERÍSTICAS

FAMILIARÍCESE CON LA SIERRA DE MESA

Vea la figura 2.

El uso seguro que este producto requiere la comprensión de la información impresa en la herramienta y en el manual del operador así como ciertos conocimientos sobre el proyecto a realizar. Antes de usar este producto, familiarícese con todas las características de funcionamiento y normas de seguridad.

TRINQUETES ANTICONTRAGOLPE - El contragolpe es un peligro en el cual la pieza de trabajo resulta lanzada hacia atrás, en dirección del operador. Los separable trinquetes anticontragolpe apuntan hacia la dirección opuesta de la pieza de trabajo. En caso de que ésta resulte empujada hacia el operador, entonces los dientes muerden la madera para impedir o reducir la posibilidad de un contragolpe.

ESCALA DE BISELES - Esta escala de fácil lectura, situada en la parte frontal de la armazón de la sierra, muestra el ángulo exacto de la hoja de corte.

HOJA - Para un óptimo desempeño, se recomienda el uso de la hoja de corte de 254 mm (10 pulg.) con puntas de carburo suministrada con la sierra. La hoja se sube y baja con el volante de ajuste de altura. Los ángulos de bisel se fijan con la palanca de fijación de bisel. Hay disponibles estilos adicionales de hojas de corte de la misma alta calidad para operaciones específicas tales como el corte al hilo. El distribuidor de la localidad puede proporcionarle la información completa.

La anchura del corte debe estar dentro de los límites estampados en el cuchilla separadora.

ADVERTENCIA:

No utilice hojas con una velocidad nominal inferior a la de esta herramienta. La falta de atención a esta advertencia puede causar lesiones corporales.

PROTECCIÓN DE LA HOJA - Siempre mantenga la separable protección de la hoja sobre ésta al efectuar cortes con traspaso del espesor de la pieza.

PALANCA DE FIJACIÓN DE BISEL - Esta palanca, situada justo bajo la superficie de la mesa de la sierra al frente de la armazón de la sierra, sirve para fijar el ángulo de la hoja.

VOLANTE DE AJUSTE DE ALTURA Y BISEL - Este volante, situado en la parte delantera de la armazón de la unidad, sirve para subir y bajar la hoja con el fin de efectuar ajustes a la altura de la misma, o reemplazarla. Este volante también facilita el ajuste del ángulo de biselado.

GUÍA DE INGLETES - La guía de ingletes sirve para alinear la madera para cortes transversales. Este indicador de fácil lectura muestra el ángulo exacto para cortes a inglete.

RANURAS DE LA GUÍA DE INGLETES - La guía de ingletes se desplaza por las ranuras de la mesa de la sierra.

GUÍA DE CORTE AL HILO - Es una resistente guía metálica que sirve de apoyo a la pieza de trabajo y se fija con la manija de bloqueo.

ESCALA DE CORTE AL HILO - Esta escala de corte al hilo de fácil lectura se encuentra en el riel delantero, y permite obtener mediciones exactas en los cortes al hilo.

CUCHILLA SEPARADORA - Es una separable pieza metálica, levemente más delgada que la hoja de la sierra, la cual se emplea para mantener abierto el corte y evitar así un contragolpe. Cuándo en el por lanzamiento, o "arriba" posición, es más alto que la hoja de sierra. Cuándo en el corte no pasante que aserrado, o "hacia abajo" posición, está debajo de los dientes de hoja de sierra.

CONJUNTO DEL INTERRUPTOR - Esta sierra de mesa dispone de un conjunto del interruptor de corriente de fácil acceso ubicado bajo el riel delantero. Para asegurar el interruptor en la posición de **APAGADO**, retire la llave del interruptor. Coloque la llave en un lugar inaccesible a los niños y a otras personas no calificadas para el uso de la herramienta.

CARACTERÍSTICAS

COMPONENTES EMPLEADOS EN EL MANEJO DE LA UNIDAD

La porción superior de la hoja sobresale de la mesa, y está rodeada por un inserto llamado placa de la garganta. La altura de la hoja se fija por medio de un volante ubicado en la parte frontal de la armazón. Para recibir paneles anchos, la sierra de mesa dispone de rieles a cada lado. Se incluyen instrucciones detalladas para los cortes básicos en la sección *Funcionamiento* de este manual: cortes rectos transversales, cortes en inglete, cortes en bisel y cortes compuestos.

La guía de corte al hilo se emplea para acomodar la pieza de trabajo con el fin de efectuar cortes longitudinales. Una escala situada en el riel delantero muestra la distancia existente entre la guía de corte al hilo y la hoja.

Es muy importante utilizar el conjunto de protección de la hoja en todas las operaciones de corte con traspaso. El conjunto protector de la hoja cortadora incluye: una cuchilla separadora, trinquetes anticongolpe y protección de la hoja.

CONJUNTO DEL INTERRUPTOR

Vea la figura 3.

Esta sierra está equipada con un conjunto del interruptor de corriente dotado de cerradura de llave integrada. Esta característica tiene la finalidad de evitar el uso no autorizado y posiblemente peligroso por niños y otras personas.

PARA ENCENDER LA SIERRA:

- Para encenderla, introduzca la llave en el interruptor y levante de mismo a la posición de **ENCENDIDO (I)**.

PARA APAGAR LA SIERRA:

- Para apagarla, baje de interruptor a la posición de **APAGADO (O)**.

PARA ASEGURAR LA SIERRA:

- Oprima hacia abajo de interruptor.
- Retire la llave del interruptor y guárdela en un lugar seguro.

⚠ ADVERTENCIA:

Cuando no esté en uso la herramienta, SIEMPRE retire la llave del interruptor y guárdela en un lugar seguro. En caso de un apagón, ponga el interruptor en la posición de **APAGADO (O)** y retire la llave. De esta manera se evita un arranque por accidente de la herramienta al restablecerse la corriente.

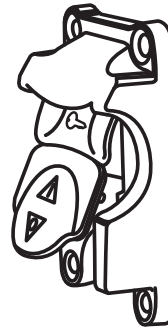
⚠ ADVERTENCIA:

SIEMPRE asegúrese de que la pieza de trabajo no toque la hoja, antes de accionar el interruptor para encender la herramienta. La falta de atención a esta advertencia puede causar el lanzamiento violento de la pieza de trabajo hacia el operador, con posibilidad de lesiones graves.

⚠ ADVERTENCIA:

Para reducir el riesgo de un arranque accidental, SIEMPRE asegúrese de que el interruptor esté en la posición de **APAGADO (O)** antes de conectar la herramienta en la toma de corriente.

INTERRUPTOR EN
POSICIÓN
DE ENCENDIDO



INTERRUPTOR
EN POSICIÓN
DE APAGADO

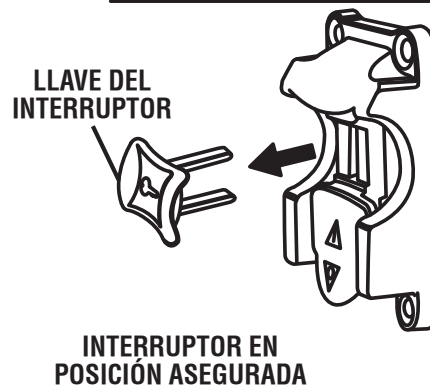
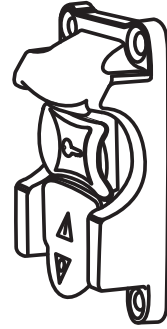


Fig. 3

HERRAMIENTAS NECESARIAS

Para armar la unidad y efectuar ajustes se necesitan las siguientes herramientas (no incluido o dibujado para escalar):

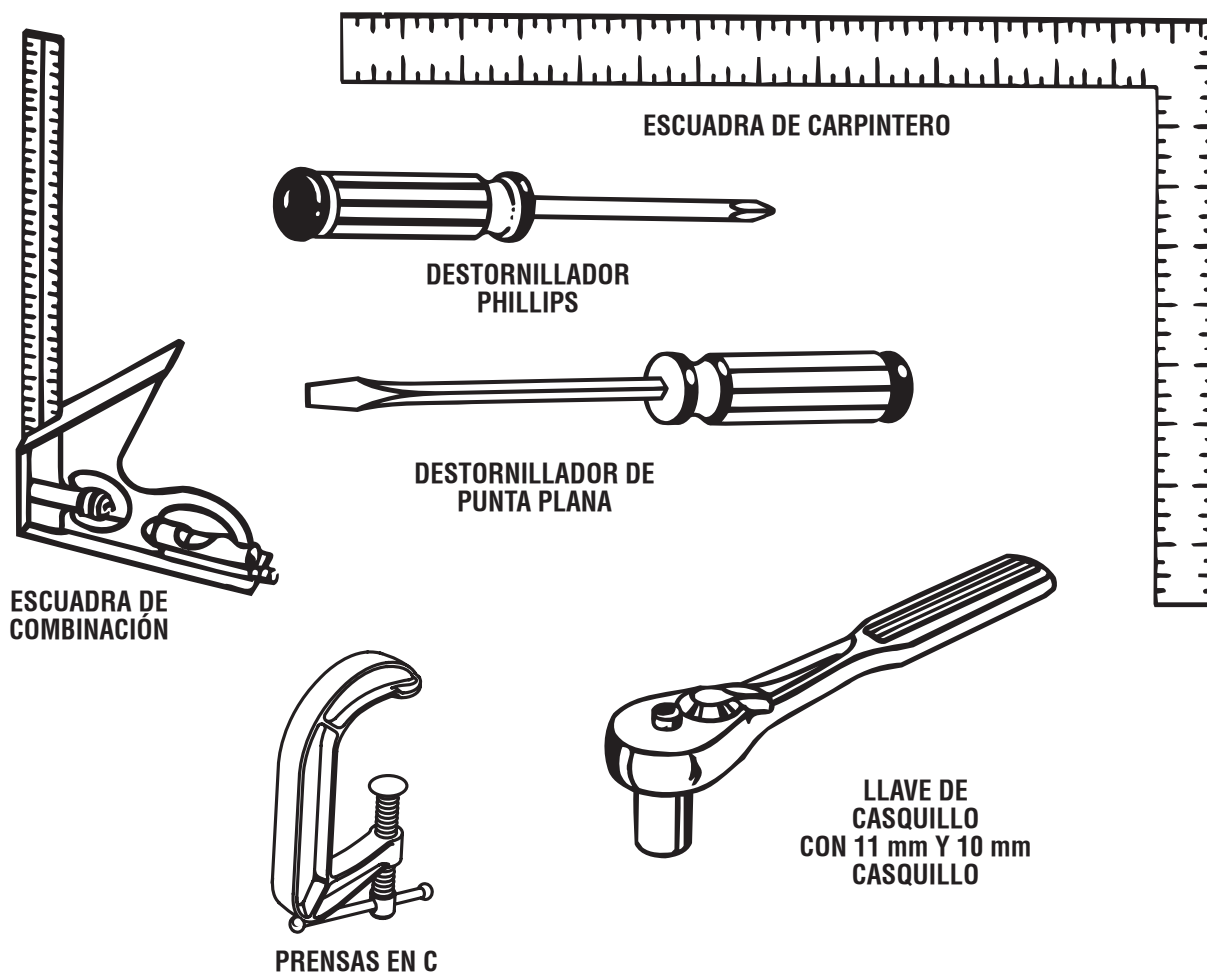


Fig. 4

PIEZAS SUeltas

Con la sierra de mesa vienen incluidos los siguientes artículos:

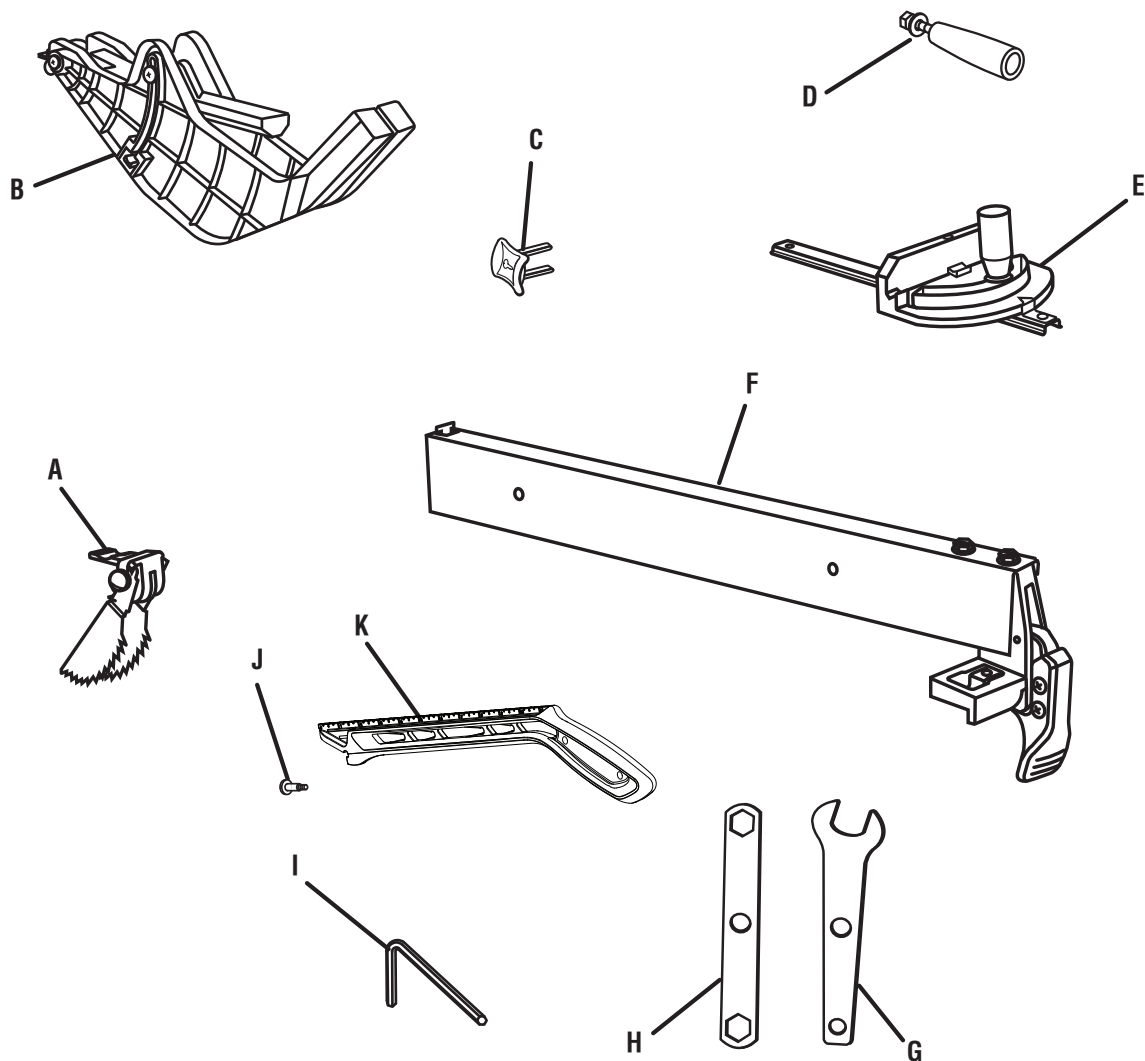


Fig. 5

| | | | |
|-------------------------------------|---|--|---|
| A. Trinquetes anticontragolpe | 1 | G. Abra el llave | 1 |
| B. Protección de la hoja | 1 | H. Cierre el llave | 1 |
| C. Llave del interruptor | 1 | I. Llave hexagonal (5 mm) | 1 |
| D. Mango | 1 | J. Tornillo de almacenamiento del palo empujador | 2 |
| E. Guía de ingletes | 1 | K. Palo empujadora | 1 |
| F. Guía de corte al hilo | 1 | | |

PIEZAS SUeltas

Con la sierra de mesa vienen incluidos los siguientes artículos:

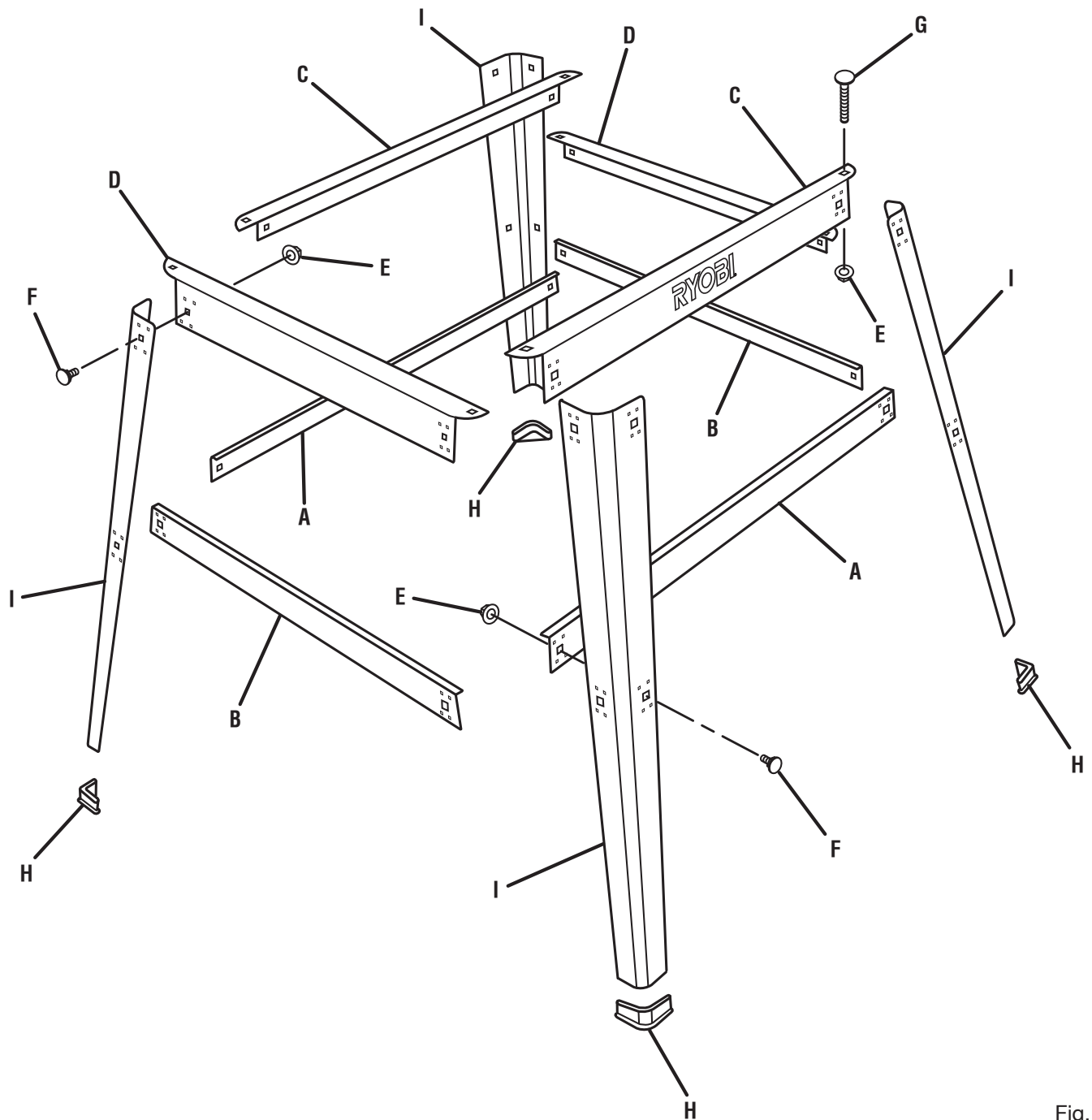


Fig. 6

| | | | |
|----------------------------------|----|--|----|
| A. Riostra inferior..... | 2 | F. Perno de carruaje (1/4 pulg. - 20 x 1/2 pulg.)..... | 16 |
| B. Riostra inferior lateral..... | 2 | G. Perno de carruaje (1/4 pulg. - 20 x 1-3/8 pulg.)..... | 4 |
| C. Riostra superior..... | 2 | H. Pies..... | 4 |
| D. Riostra superior lateral..... | 2 | I. Pata..... | 4 |
| E. Tuerca hexagonal..... | 20 | | |

ARMADO

DESEMPAQUETADO

Este producto requiere armarse.

- Levante cuidadosamente de la caja la sierra y colóquela sobre una superficie de trabajo nivelada.

NOTA: Esta herramienta es pesada. Para evitar lesionarse la espalda, mantenga dobladas las rodillas, levante con las piernas, no con la espalda, y obtenga ayuda cada vez que la necesite.

ADVERTENCIA:

No utilice este producto si alguna pieza incluida en la lista de piezas sueltas ya está ensamblada al producto cuando lo desempaqueta. El fabricante no ensambla las piezas de esta lista en el producto. Éstas deben ser instaladas por el usuario. El uso de un producto que puede haber sido ensamblado de forma inadecuada podría causar lesiones personales graves.

- Inspeccione cuidadosamente la herramienta para verificar que no haya sufrido ninguna rotura o daño durante el transporte.
- No deseche el material de empaquetado antes de terminar de inspeccionar cuidadosamente la herramienta, identificar todas las piezas sueltas y utilizar satisfactoriamente la herramienta.
NOTA: Retire el bloque de espuma del área intermedia-situada entre el alojamiento de la sierra y el motor por bisel primero la hoja (vea la página 26).
- La sierra viene ajustada desde la fábrica para realizar cortes exactos. Después de armarla verifique la exactitud de la misma. Si en el envío resultaron afectados los ajustes, consulte los procedimientos específicos explicados en este manual.
- Si hay piezas dañadas o faltantes, sírvase llamar al 1-800-525-2579, donde le brindaremos asistencia.

ADVERTENCIA:

Si hay piezas dañadas o faltantes, no utilice esta herramienta sin haber reemplazado todas las piezas. Usar este producto con partes dañadas o faltantes puede causar lesiones serias al operador.

ADVERTENCIA:

No intente modificar esta herramienta ni hacer accesorios no recomendados para ella. Cualquier alteración o modificación constituye un uso indebido, y puede crear una situación peligrosa que culmine en lesiones corporales graves.

ADVERTENCIA:

No conecte la unidad a la toma de corriente antes de terminar de armarla. De lo contrario, la unidad puede ponerse en marcha accidentalmente, con el consiguiente riesgo de lesiones graves.

ADVERTENCIA:

No levante la sierra sin ayuda. Sosténgala cerca de su cuerpo. Mantenga dobladas las rodillas y levante con las piernas, no con la espalda. Si ignora estas medidas de precaución, puede causarse lesiones en la columna.

ADVERTENCIA:

Nunca se pare directamente en la misma línea de la hoja ni acerque las manos a menos de 76,2 mm (3 pulg) de ella. No trate de alcanzar nada extendiendo el brazo por encima o alrededor de la hoja. La falta de atención a esta advertencia puede redundar en lesiones graves.

ADVERTENCIA:

Para evitar lesiones graves, siempre asegúrese de que la sierra de mesa esté firmemente montada en un banco de trabajo o en un pedestal de patas aprobado. NUNCA utilice la sierra colocada en el piso.

AGUJEROS DE MONTAJE

La sierra de mesa debe montarse en una superficie de soporte firme, como un banco de trabajo o un pedestal de patas. Hay cuatro agujeros para perno en la base de la sierra para este fin.

Si se atornilla a un banco de trabajo, retire las perillas de fijación que cubren los agujeros de los pernos y coloque los pernos que son de suficiente longitud para dar acomodo a la base de la sierra, las arandelas de seguridad, las tuercas hexagonales y el espesor del banco de trabajo. Apriete firmemente los cuatro pernos. Después del montaje revise cuidadosamente el banco de trabajo para asegurarse de que no haya ocurrido ningún desplazamiento. Si el banco de trabajo se inclina, desliza o camina, asegúrelo al piso antes de utilizar la unidad.

Para instalar la sierra en el pedestal, consulte el procedimientos específicos, más abajo en este manual.

ARMADO

PARA ARMAR EL PEDESTAL CON PATAS

Vea la figura 7.

Es mejor hacer el montaje en el área donde se usará la sierra. Si no está seguro respecto a la descripción de cualquier pieza, consulte las ilustraciones. Si hay piezas faltantes, no empiece el montaje hasta que no haya obtenido la(s) pieza(s) faltante(s).

- Obtenga lo paquete de piezas varias
16 pernos (1/4 pulg. - 20 x 1/2 pulg.)
16 tuercas hexagonales (1/4 pulg. - 20)
- Obtenga 4 patas y 8 riostras de las piezas sueltas.
- Coloque una riostra superior dentro de las dos patas, con el extremo ancho de las patas hacia arriba. (Las riostras superiores tienen dos agujeros grandes en cada extremo.) Asegúrese de que el hoyuelos de la pata queden alineados con los agujeros pequeños de la riostra.
- Alinee la agujeros grandes de la riostra y de las patas. Inserte los pernos. Agregue tuercas hexagonales y apriete a mano. Repita para la otra riostra superior. Estos constituyen el conjunto trasero y delantero.
- Para los conjuntos laterales, instale una riostra superior lateral en dos patas. Agregue la ferretería y apriete a mano.
- Use los mismos pasos para instalar las riostras inferiores. Apriete todas las tuercas hexagonales con una llave de casquillo.
- Instale almohadillas de base en la parte inferior de cada pata.
- Mueva el pedestal con patas al lugar deseado.

MONTAJE DEL PEDESTAL CON PATAS EN LA BASE DE LA SIERRA DE MESA

Vea la figura 8.

- Obtenga lo paquete de piezas varias:
4 pernos de carrocería (1/4 pulg. - 20 x 1-3/8 pulg.)
4 tuercas hexagonales (1/4 pulg. - 20)
- NOTA:** Esta ferretería estaba en la paquete con la ferretería para armar el pedestal con patas y los pernos niveladores.
- Coloque la base de la sierra sobre el pedestal con patas. Alinee los agujeros de la mesa con los agujeros en las riostras superiores.
- Coloque un tornillo en cada orificio. Asegúrelos con una tuerca hexagonal. Apriete a mano.
- Repita para los tres agujeros restantes. Apriete toda la ferretería firmemente con llave de casquillo.

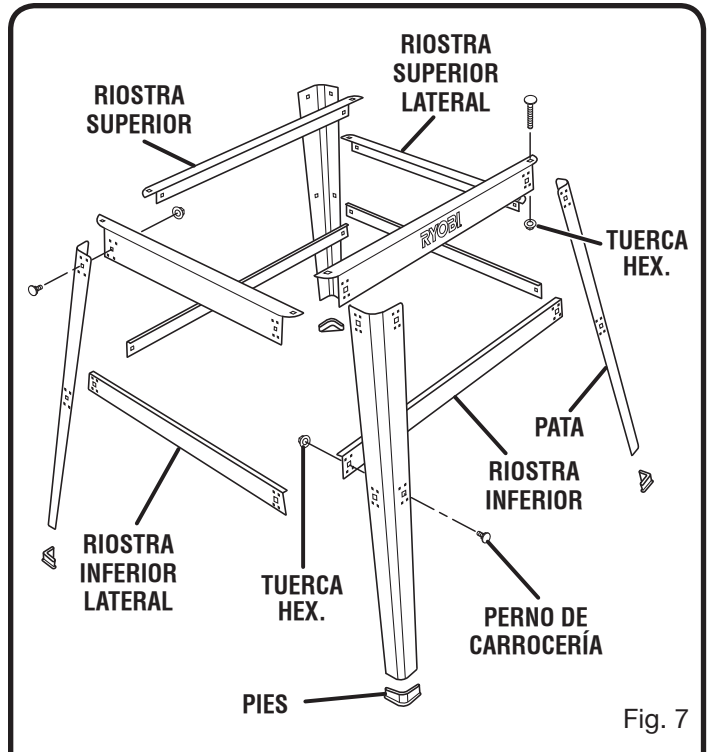


Fig. 7

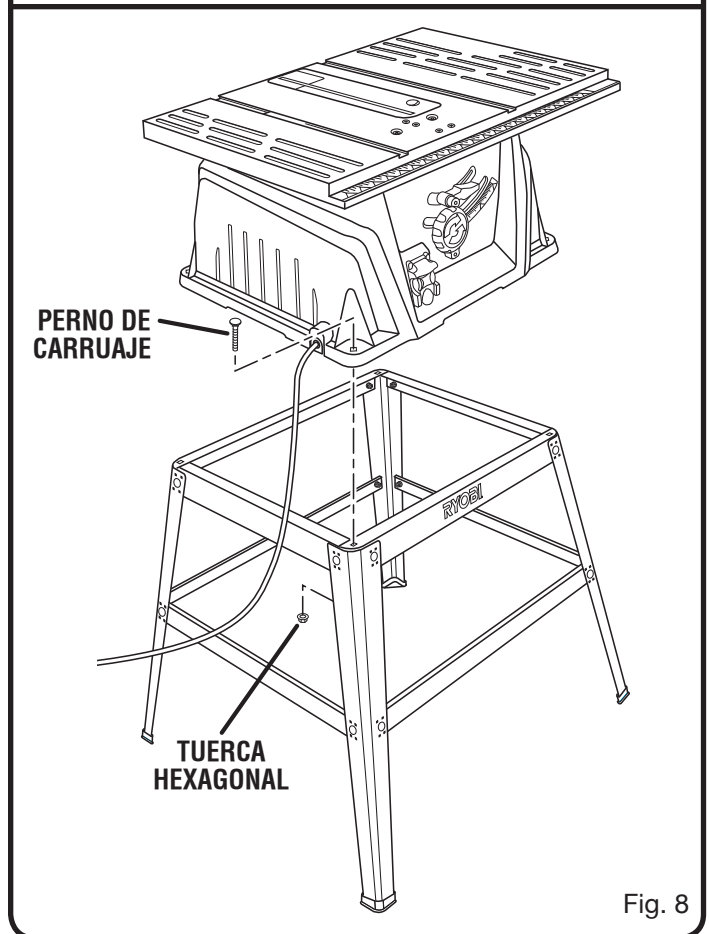


Fig. 8

ARMADO

PARA INSTALAR MANGO

Vea la figura 9.

- Sujete firmemente la tuerca de nylon y gire a la izquierda el tornillo para quitar la tuerca.
- **NOTA:** No retire el tornillo del mango.
- Coloque la tuerca de nylon en el agujero en hueco de la parte trasera del volante de ajuste de altura y manténgala en su lugar.
- Introduzca el mango y el tornillo en el agujero del volante de ajuste de altura.
- Con un destornillador de punta plana gire a la derecha el tornillo y apriételo.

PARA QUITAR Y PONER LA PLACA DE LA GARGANTA

Vea la figura 10.

- Gire a la izquierda el volante de ajuste de altura para bajar la hoja de la sierra.
- Para sacar la placa de garganta, coloque el índice dedo en el agujero y levante el extremo frontal y tire del mismo hacia el frente de la sierra.
- Para volver a instalar la placa de la garganta, deslice la orejeta hacia adentro de la ranura situada en la parte posterior de la sierra y asegure en el lugar.

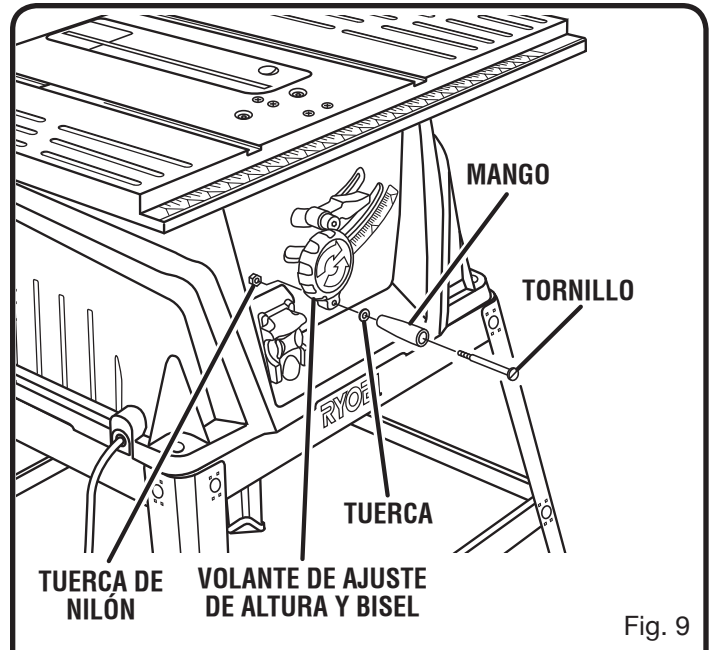


Fig. 9

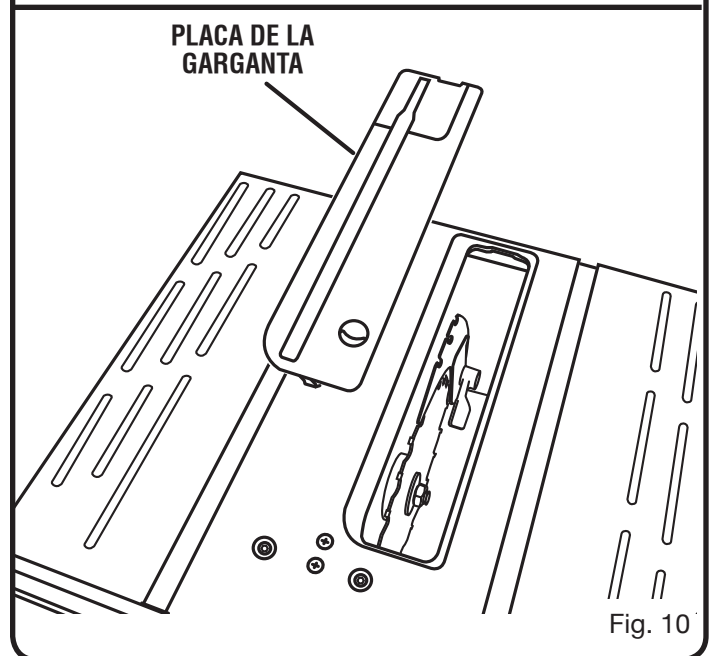


Fig. 10

ARMADO

PARA CAMBIAR POSICIÓN UN CUCHILLA SEPARADORA

Vea la figura 11.

La sierra es enviado con el cuchilla separadora colocó en el corte no pasante o “abajo” la posición (cuchilla separadora la posición) y debe estar ser colocado en el lanzamiento o “arriba” la posición para todas las otras operaciones cortes.

- Desconecte la sierra.

Para colocar en la posición de “arriba” para todo por cortes pasante:

- Desmontaje de la placa de la garganta.
- Eleve la hoja de la sierra, para ello, gire a la derecho el volante de ajuste de altura y bisel.
- Desbloquear la palanca de afloje tirandolo arriba.
- Alcanae el cuchilla separador y tire hacia lado derecho del sierra para soltar de la el separador de la munis de ressorts de la abrazadera cuchilla separadora.
- Tire el cuchilla separador hasta que los pasadores interno son enganchada et el separador esté arriba del hoja de la sierra.
- Asegurar la palanca de afloje empujando la palanca hacia abajo.
- Réinstaller de la placa de la garganta.

Para colocar en la posición de “abajo” para todo por cortes no pasante:

- Desmontaje de la placa de la garganta.
- Eleve la hoja de la sierra, para ello, gire a la izquierdo el volante de ajuste de altura y bisel.
- Desbloquear la palanca de afloje tirandolo arriba.
- Alcanae el cuchilla separador y tire hacia lado derecho del sierra para soltar de la el separador de la munis de ressorts de la abrazadera cuchilla separadora.
- Apriete el cuchillo separadora hasta los pasadores interno son enganchada et el cuchilla separador esté debajo del hoja de la sierra.
- Tire el cuchilla separador hasta que los pasadores interno son enganchada et el separador esté arriba del hoja de la sierra.
- Asegurar la palanca de afloje empujando la palanca hacia abajo.
- Réinstaller de la placa de la garganta.

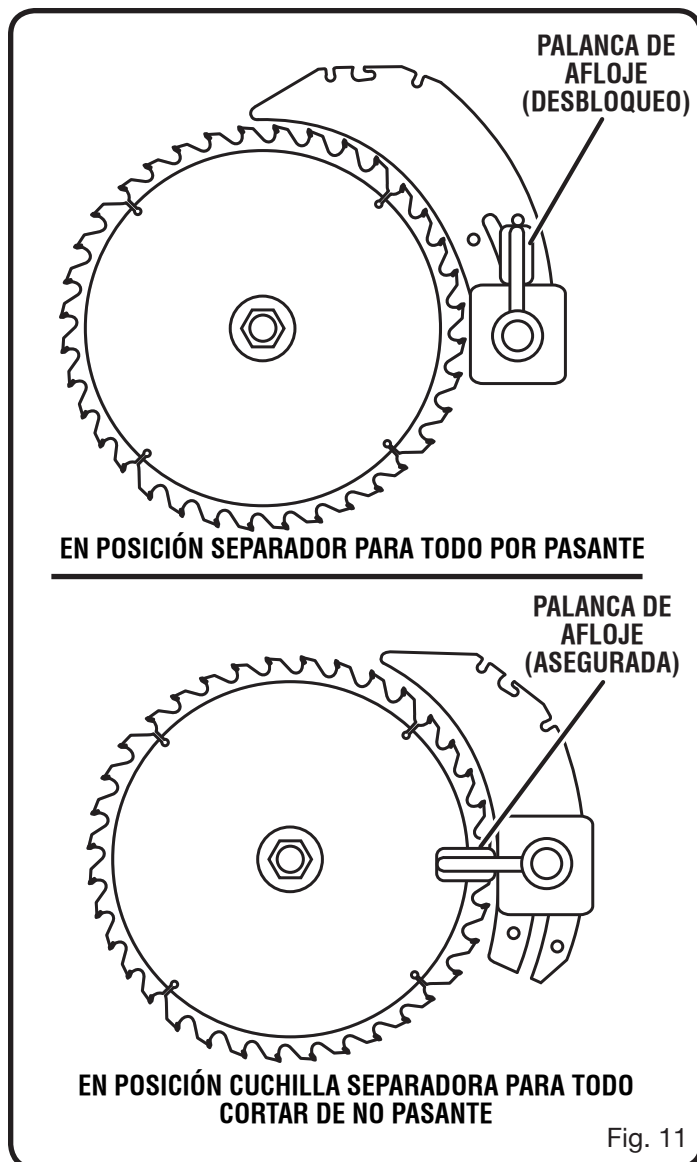


Fig. 11

ARMADO

PARA REVISAR LA INSTALACIÓN DE LA HOJA DE LA SIERRA

Vea la figura 12.

AVISO:

Para funcionar correctamente, los dientes de la hoja deben apuntar hacia la parte frontal de la sierra, hacia abajo. La inobservancia de esta advertencia podría causar daños a la hoja de la sierra, la sierra o la pieza de trabajo.

- Desconecte la sierra.
- Baje la hoja de la sierra y quite la placa de la garganta.
- Asegúrese de que la palanca de fijación de bisel esté fijamente a la derecha. Suba la hoja a su máxima altura; para ello, gire a la derecha el volante de ajuste de altura y bisel.
- Colocar cuchilla separador en la posición "arriba".

Para aflojar la hoja:

- Coloque el extremo abierto plano de la cierre el llave de hoja en las partes planas del árbol.
- Coloque el extremo cerrado de la llave de la hoja en la tuerca de la hoja. Sujetando firmemente ambas llaves, tire de la llave hacia la parte delantera de la máquina.

Para apretar la hoja:

- Coloque el extremo abierto plano de la llave pequeña de la hoja en las partes planas del árbol.
- Coloque el extremo cerrado de la cierre el llave de hoja en la tuerca de la hoja. Sujetando firmemente ambas llaves, empuje la llave hacia la parte posterior de la máquina. Asegúrese de que la tuerca de la hoja esté firmemente apretada. No efectúe un apriete excesivo.
- Vuelva a instalar la placa de la garganta.
- Verifique la existencia de los espacios necesarios para permitir el giro libre de la hoja.

PARA INSTALAR EL TRANQUETES ANTI-CONTRAGOLPE Y PROTECCIÓN DE LA HOJA

Vea las figuras 13 - 15.

⚠ ADVERTENCIA:

Instale siempre la protección de la hoja y las garras que no permiten el retroceso en la cuchilla separadora en la posición "ascendente" para suministrar una cobertura de hoja adecuada. Instalar los componentes protectores en la cuchilla separadora en otra posición evitará que funcione tal como fue diseñada, lo que podría incrementar el riesgo de lesiones personales graves.

⚠ ADVERTENCIA:

Reemplace trinquetes lánguidos o dañado trinquetes anticongolpe. Embote o daño trinquetes no pueden parar una congolpe que aumenta el riesgo de lesiones corporales serias.

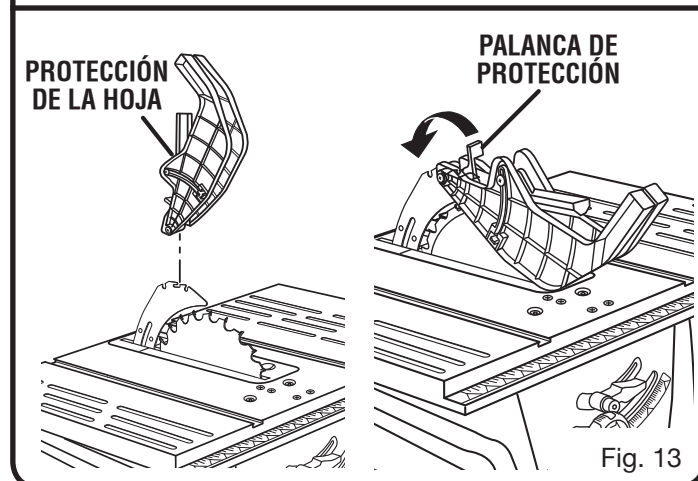
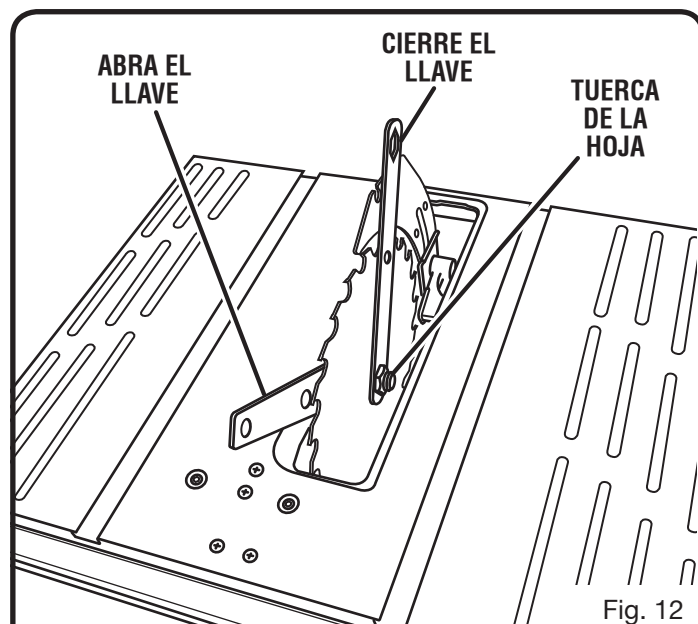
Los trinquetes anticongolpe sólo deben ser instalados para cortes pasante.

- Desconecte la sierra.
- Eleve la hoja de la sierra, para ello, gire a la derecha el volante de ajuste de altura y bisel.
- Colocar cuchilla separador en la posición "arriba".
- Vuelva a instalar la placa de la garganta.

Para instalar el protección de la hoja:

- Levante la palanca de protección hasta para desbloquear.
- Con la frente del protección de la hoja levantó, baja la espalda del protección en el hoyo mediano del cuchilla separadora. Empuje la frente del protección hacia abajo hasta que **sea paralelo a la mesa** (vea la figura 15). Si el protección de la hoja no es paralelo a la mesa, el cuchilla separador no está en "arriba" posición.
- Cierre al protección en el lugar empujando la palanca de protección.

NOTA: La alineación de la hoja de corte se puede ajustar para hojas de diferentes espesores. Consulte el apartado **Para revisar o alinear cuchilla separadora y la hoja**. Verifique los espacios libres y la libertad de movimiento del conjunto de protección de la hoja.

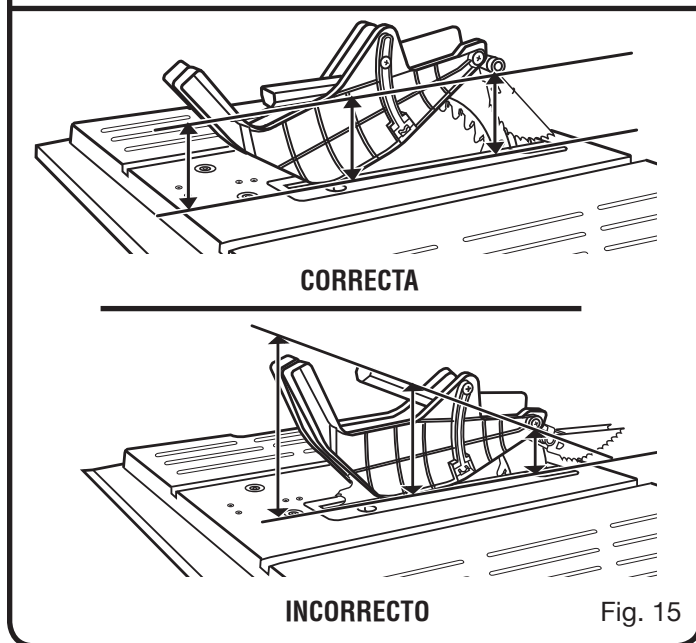
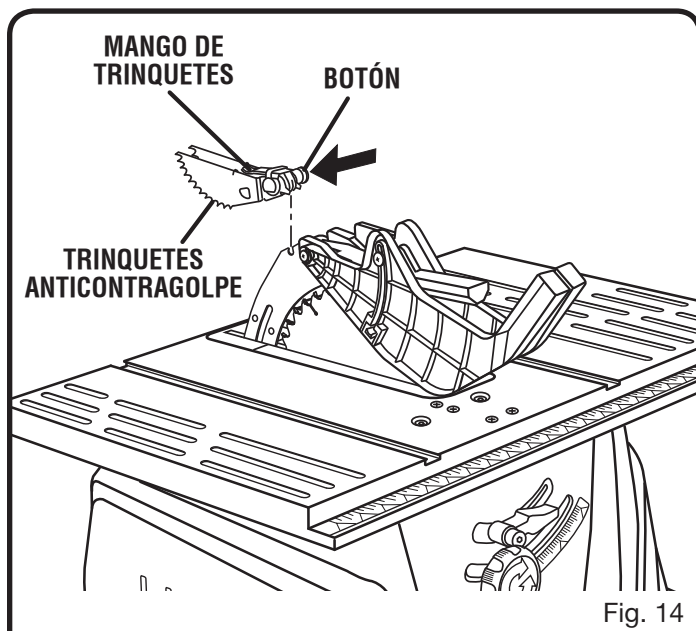


ARMADO

Para instalar el trinquetes anticontragolpe:

- Presione y sostenga el botón en el lado derecho de los trinquetes anticontragolpe.
- Alinee la ranura en los trinquetes sobre el último hoyo en el cuchilla separadora.
- Apriete los mango de trinquetes los chasquearlos colocar en lugar y botón de afloje.

NOTA: Tire del mango de trinquetes para asegurarse trinquetes son cerrados firmemente.



PARA REVISAR Y ALINEAR CUCHILLA SEPARADORA Y LA HOJA

Veá las figuras 16 - 17.

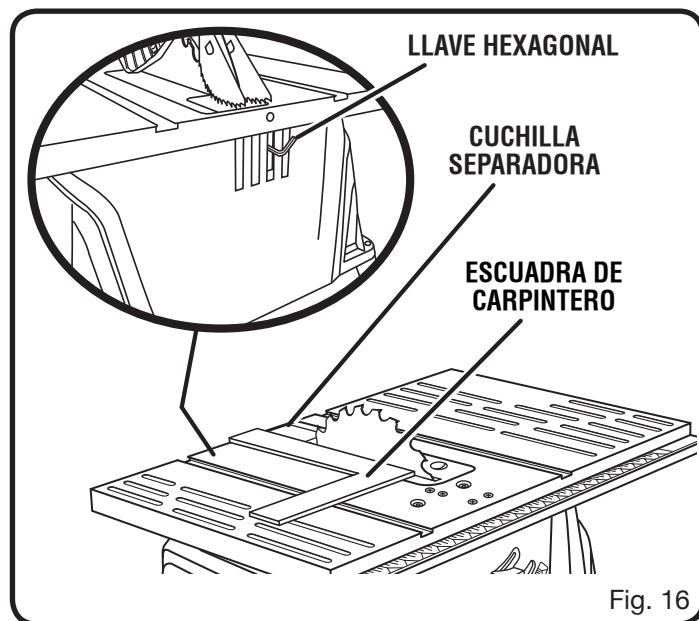
Para verificar la alineación del cuchilla separadora:

- Desconecte la sierra.
- Eleve la hoja de la sierra; para ello, gire a la derecha el volante de ajuste de altura y bisel.
- Levante los trinquetes anticontragolpe y conjunto de protección de la hoja. Coloque una escuadra de carpintero o una regla tanto contra la hoja de la sierra como contra el cuchilla separadora.

NOTA: Coloque la escuadra de carpintero entre los dientes depunta de carburo y mida desde la hoja. Este paso asegurará que la escuadra de carpintero esté en escuadra contra la hoja desde el frente hacia la parte trasera de la hoja.

- Se sabe que la hoja de la sierra y el cuchilla separadora están alineados cuando la escuadra de carpintero toca tanto la hoja como el cuchilla separadora de manera uniforme sin espacios.

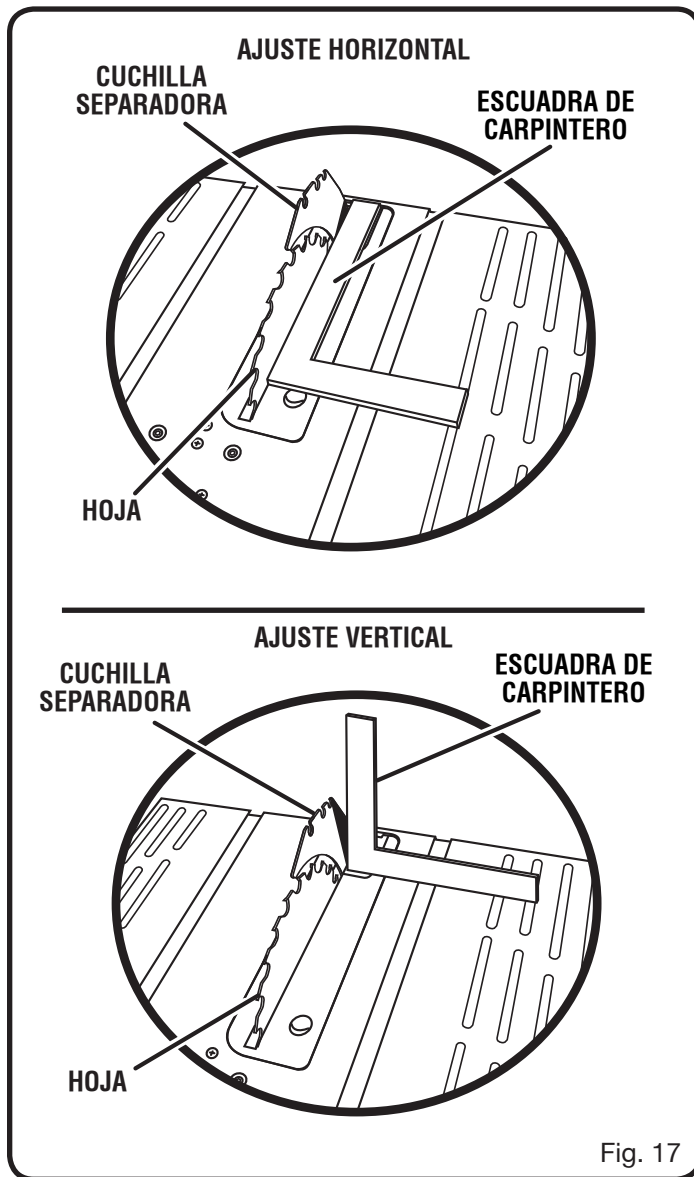
Si el cuchilla separadora está desalineado con respecto a la hoja, es necesario efectuar un ajuste. El cuchilla separadora debe estar frente alineado de apoyar (horizontalmente) y la cubierta para inferior (verticalmente).



ARMADO

Para ajustar (horizontal y vertical):

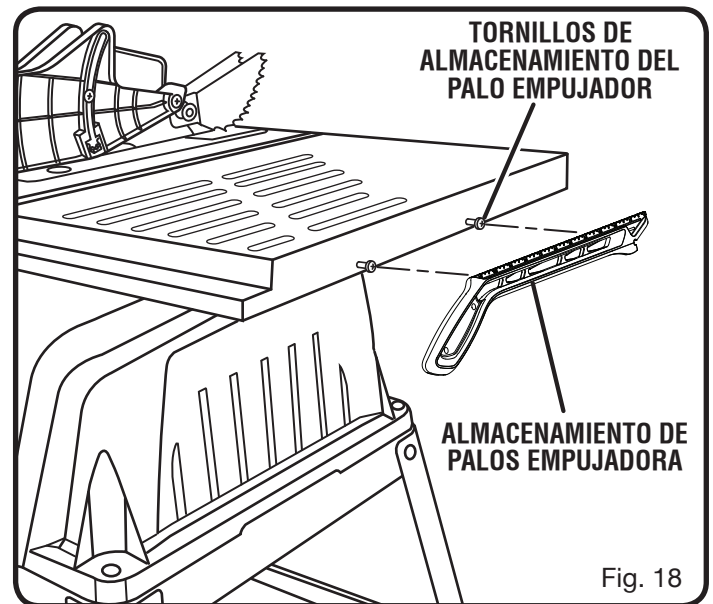
- Levante los trinquetes anticontraGolpe y conjunto de protección de la hoja.
- Vista de la trasero la sierra, afloje los tornillos al soporte de montaje.
- Mueva a la izquierda o derecha el el cuchilla separadora según sea necesario para alinear el cuchilla separadora con la hoja de la sierra.
- Una vez debidamente alineado el conjunto, apriete firmemente los tornillos.
- Revise de nuevo para ver si está a escuadra y seguir ajustando efectúe los ajustes necesarios.



ALMACENAMIENTO DEL PALO EMPUJADOR

Veá la figura 18.

- Introduzca los tornillos de almacenamiento del palo empujador, de la bolsa de piezas sueltas, en los orificios del lado de la mesa de la sierra. Use un destornillador Phillips para apretar firmemente los tornillos.
- Coloque las ranuras del palo empujador sobre los tornillos y deslice el palo empujador hacia la parte posterior de la sierra.



FUNCIONAMIENTO

ADVERTENCIA:

No permita que su familiarización con las herramientas lo vuelva descuidado. Tenga presente que un descuido de un instante es suficiente para causar una lesión seria.

ADVERTENCIA:

Siempre póngase protección ocular con la marca de cumplimiento de la norma ANSI Z87.1. Si no cumple esta advertencia, los objetos que salen despedidos pueden producirle lesiones serias en los ojos.

ADVERTENCIA:

No utilice ningún aditamento o accesorio no recomendado por el fabricante de esta herramienta. El empleo de aditamentos o accesorios no recomendados podría causar lesiones serias.

ADVERTENCIA:

Aunque en muchas de las ilustraciones de este manual aparece la protección de la hoja quitada para mayor claridad, no utilice la sierra sin la misma, a menos que se indique así específicamente.

APLICACIONES

Esta herramienta puede emplearse para los fines enumerados abajo:

- Operaciones de corte en línea recta como cortes transversales, cortes al hilo, cortes a inglete, cortes en bisel y cortes combinados
- Ebanistería y carpintería

NOTA: Esta sierra de mesa está diseñada para cortar madera y productos de composición de la misma solamente.

FUNCIONAMIENTO BÁSICO DE LA SIERRA DE MESA

La clavija de tres puntas se debe enchufar en un receptáculo compatible instalado y conectado a tierra adecuadamente de acuerdo con las normas y códigos locales. Una conexión inadecuada del equipo puede producir una descarga eléctrica. No modifique la clavija si no entra en la toma de corriente. Contrate a un electricista calificado para que instale la toma de corriente adecuada. Consulte el apartado *Aspectos eléctricos* de este manual.

CAUSAS DE LOS CONTRAGOLPES

El contragolpe puede ocurrir cuando la hoja se atasca o dobla, lanzando la pieza de trabajo hacia atrás, hacia usted, con gran fuerza y velocidad. Si tiene las manos cerca de la hoja de la sierra, pueden soltarse de la pieza de trabajo y tocar la hoja. Obviamente, el contragolpe puede causar lesiones graves y vale la pena tener precauciones para evitar riesgos.

Cualquier acción que pellizque la hoja en la madera puede causar un contragolpe, como las siguientes:

- Hacer un corte con una profundidad incorrecta de la hoja
- Cortar nudos o clavos presentes en la pieza de trabajo
- Girar la madera al efectuar un corte
- No sujetar la pieza de trabajo
- Efectuar cortes forzados
- Cortar madera combada o húmeda
- Utilizar una hoja equivocada para el tipo de corte deseado
- No seguir los procedimientos correctos de trabajo
- Hacer mal uso de la sierra
- No utilizar los trinquetes contragolpe
- Cortar con una hoja desafilada, cubierta de goma o mal triscada

FORMA DE EVITAR CONTRAGOLPES

- Siempre utilice el ajuste correcto de profundidad de la hoja. La parte superior de los dientes de la hoja debe sobresalir de la pieza de trabajo de 3,2 a 6,4 mm (de 1/8 a 1/4 pulg.).
- Inspeccione la pieza de trabajo para ver si contiene nudos o clavos antes de empezar a cortar. Desaloje todo nudo suelto con un martillo. Nunca corte nudos sueltos ni clavos.
- Siempre utilice la guía de corte al hilo para efectuar cortes de este tipo. Siempre utilice la guía de ingletes para efectuar cortes transversales. Esto ayuda a evitar el giro de la madera durante el corte.
- Siempre utilice hojas limpias, afiladas y triscadas correctamente. Nunca efectúe cortes con hojas sin filo.
- Para evitar pellizcar la hoja, apoye adecuadamente la pieza de trabajo antes de iniciar un corte.
- Aplique una presión estable y uniforme al efectuar el corte. Nunca efectúe cortes forzados.
- No corte madera combada o húmeda.
- Utilice precaución adicional al cortar algún prefinished o productos de madera de composición como los trinquetes antictragolpe confidencial no siempre pueden ser efectivos.
- Siempre indique la pieza de trabajo con ambas manos o con palos empujadoras y/o bloques empujadores. Mantenga el cuerpo en una posición equilibrada para estar preparado para resistir un contragolpe si llega a ocurrir. Nunca se pare en línea frente a la hoja.
- El uso de un peine de sujeción ayudará a asidero el pieza de trabajo firmemente contra la mesa de sierra o guía.
- Limpie el sierra, protección de la hoja, bajo el placa de la garanta, y bajo cualquier área donde sierra o pieza de trabajo o aserrín puede reunir
- Utilice el tipo correcto de hoja para el corte por efectuar.
- Siempre utilice el cuchilla separadora para cada operación donde lo es permitido. El uso de este dispositivo reducirá mucho el riesgo de contragolpes.

FUNCIONAMIENTO

AYUDAS PARA CORTAR

Ve la figura 19.

Las estacas empujadoras son dispositivos empleados para empujar la pieza de trabajo por la hoja en cualquier corte al hilo. Al hacer cortes de no pasante o longitudinal estreche acciones, siempre utilice un palo empujadora, bloque empujador y/o peine de sujeción tan sus manos no vienen dentro de 3 pulgadas de la hoja de sierra. Se pueden hacer a partir de madera de desperdicio, en varios tamaños y formas para utilizarse en proyectos específicos. El palo empujador debe ser más angosto que la pieza de trabajo, con una muesca a 90° en un extremo y la forma para sujetarlo con la mano en el otro extremo.

Una palo empujadora tiene instalado un mango fijado con tornillos empotrados por el lado inferior. Se utiliza en cortes sin traspaso del espesor de la pieza de trabajo.

⚠ PRECAUCIÓN:

Asegúrese de que los tornillos de la plancha empujadora estén en hueco para evitar dañar la sierra o la pieza de trabajo.

GUÍA AUXILIAR

Una guía auxiliar es un dispositivo que es utilizado para cerrar la guía de corte al hilo y la mesa de sierra. Siempre marca y utiliza una guía auxiliar al rasgar materia 1/8 pulg. o más delgado.

FORMA DE ELABORAR Y CONECTAR UNA GUÍA AUXILIAR

Ve la figura 20.

Los orificios que trae la guía de corte al hilo son exclusivamente para este propósito. Los orificios de la guía de corte al hilo se utilizan para sujetar la guía auxiliar, la cual se elabora con una pieza de madera de 19 mm (3/4 pulg.) de grosor por 88,9 mm (3-1/2 pulg.) de alto y 470 mm (18-1/2 pulg.) de largo.

Para conectar la guía auxiliar a la guía de corte al hilo:

- Apoye la madera contra la guía de ingletes y descansar en la mesa de sierra.
- Del lado de atrás de la guía de corte al hilo, asegure la madera a la guía de corte al hilo con tornillos de madera 38 mm (1-1/2 pulg.).

CÓMO HACER UNA VAIVÉN (PARA EL CORTE AL HILO PIEZA DE TRABAJO)

Ve la figura 21.

Si longitudinal estreche acciones coloca las manos cierran también a la hoja, será necesario para hacer y utilizar una vaivén.

Para efectuara una vaivén:

- Conecte un mango a un pedazo largo y recto de madera y asegure de la cara inferior que utiliza tornillos empotrados.
- Corte una parada en forma de I en el lado de la vaivén.

Para utilizar vaivén:

- Posicione el pieza de trabajo plano sobre la mesa con el rubor de orilla contra la vaivén y contra la tope.
- Tener el mango de vaivén y utilizar un palo empujadora, hacen el corte al hilo como descrito en la página 31 luego en esta sección.

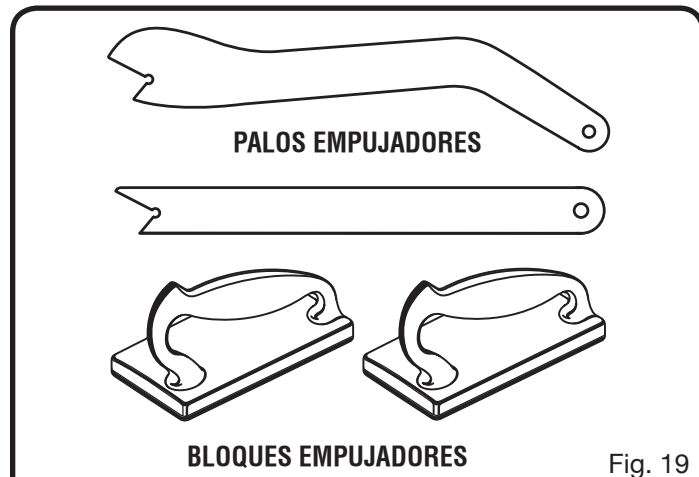


Fig. 19

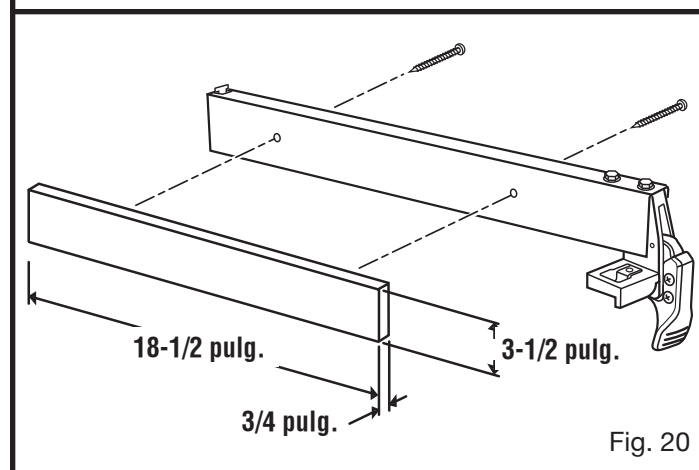


Fig. 20

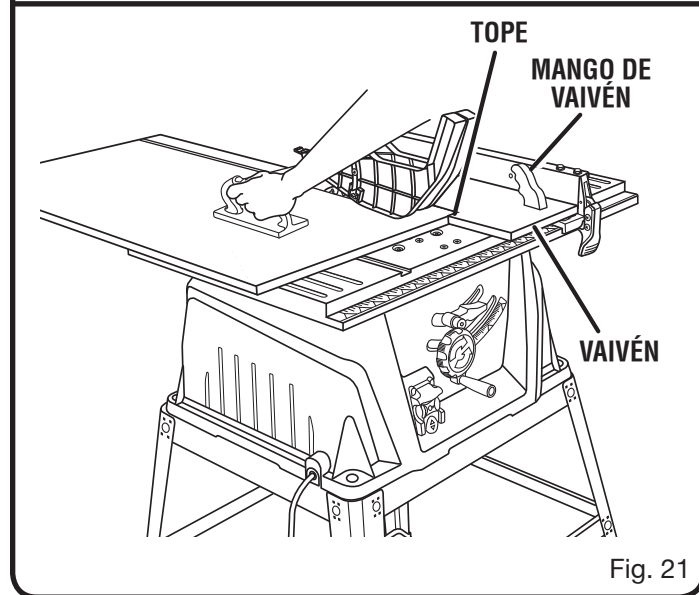


Fig. 21

FUNCIONAMIENTO

PEINES DE SUJECIÓN

El peine de sujeción es un dispositivo que se utiliza para ayudar a controlar la pieza de trabajo tenera con seguridad contra la mesa o guía. Los peines de sujeción son especialmente útiles cuando se cortan al hilo piezas de trabajo pequeñas o para terminar cortes sin traspaso del espesor de la pieza de trabajo. El extremo es angulado con un cierto número de cortes cortos para aplicar fuerza de sujeción por fricción a la pieza de trabajo, y se asegura en su lugar sobre la mesa mediante una prensa de mano. Verifique que pueda resistir un contragolpe.

⚠ ADVERTENCIA:

Monte el peine de sujeción delante de la hoja de sierra. Si se coloca inadecuadamente, puede producirse un contragolpe al apretar el peine de sujeción la pieza de trabajo y doblar la hoja en el corte efectuado por la sierra. La inobservancia de esta advertencia puede causar lesiones serias.

FORMA DE ELABORAR UN PEINE DE SUJECIÓN

Vea la figura 22.

El peine de sujeción es un proyecto excelente para utilizar la sierra. Seleccione una pieza de madera sólida de 19 mm (3/4 pulg.) de grueso, 63,5 mm (2-1/2 pulg.) de ancho y 304,8 mm (12 pulg.) largo aproximadamente. Marque el centro del ancho en un extremo de la tabla. Corte a inglete de 70° una mitad del ancho (vea la página 31, donde encontrará información sobre los cortes a inglete).

Prepare la sierra para cortar al hilo como se explicó en la page 31. Coloque la guía de corte al hilo para permitir cortar un "diente" de 6,4 mm (1/4 pulg.) en la tabla. Avance la tabla lentamente hasta la marca hecha previamente a 101,6 mm (4 pulg.). **APAGUE** la sierra y permita que la hoja deje de girar completamente antes de retirar la tabla. Reajuste la guía de corte al hilo y haga cortes espaciados en la pieza de trabajo para dejar dedos de 6,4 mm (1/4 pulg.) y 3,2 mm (1/8 pulg.) de espacio entre los dedos aproximadamente.

FORMA DE MONTAR UN PEINE DE SUJECIÓN

Vea la figura 23.

Baje completamente la hoja de la sierra. Coloque la guía de corte al hilo a la distancia requerida según requiera el corte deseado

y asegúrela. Coloque la pieza de trabajo contra la guía, en el área de la hoja de corte. Ajuste el peine de sujeción para aplicar resistencia a la pieza de trabajo justo hacia adelante de la hoja. Apriete firmemente la perilla de la mordaza de ajuste y asegure el peine de sujeción en su lugar. Coloque una prensa de mano para asegurar aún más el peine de sujeción al borde de la mesa de la sierra.

⚠ ADVERTENCIA:

No coloque el peine de sujeción en la parte posterior de la pieza de trabajo. Si se coloca inadecuadamente, puede producirse un contragolpe al apretar el peine de sujeción la pieza de trabajo y doblar la hoja en el corte efectuado por la sierra. La inobservancia de esta advertencia puede causar lesiones serias.

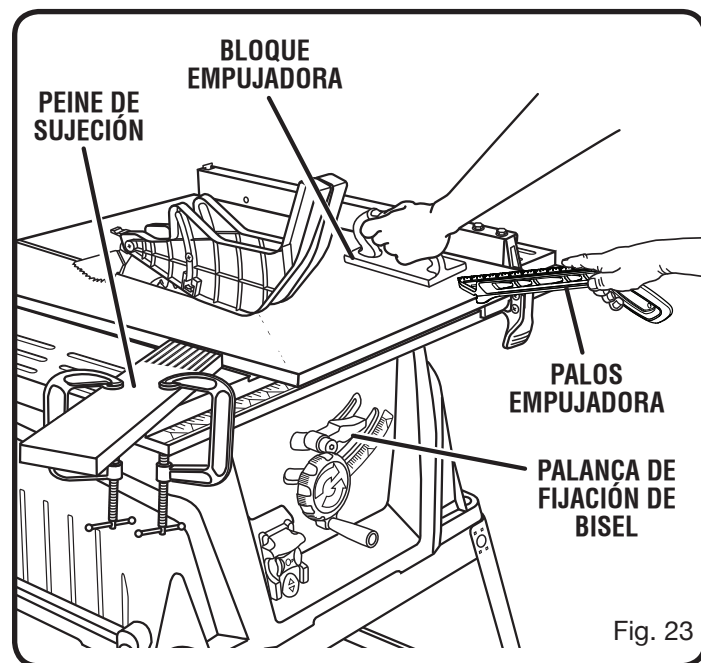


Fig. 23

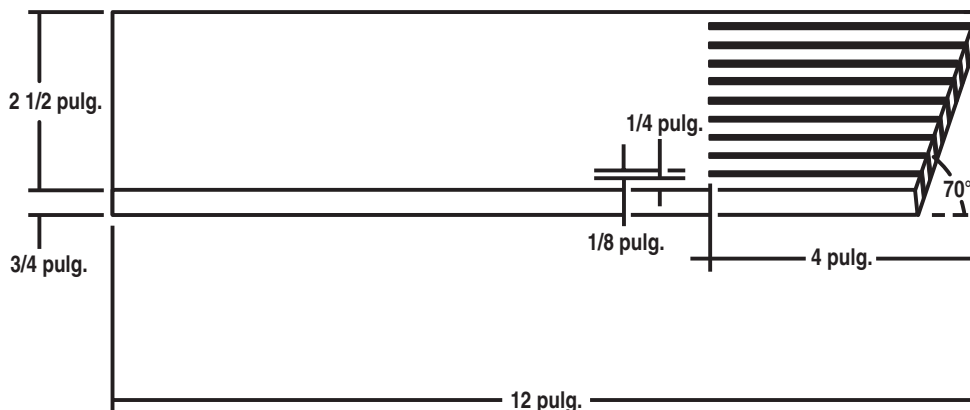


Fig. 22

FUNCIONAMIENTO

TIPOS DE CORTES

Vea la figura 24.

Existen seis cortes básicos: 1) el corte transversal, 2) el corte al hilo, 3) el corte a inglete, 4) el corte transversal en bisel, 5) el corte al hilo en bisel y 6) el corte a inglete combinado (en bisel). Todos los otros cortes son combinaciones de estos seis básicos. Los procedimientos de trabajo para hacer cada tipo de corte se dan más adelante en esta sección.

⚠ ADVERTENCIA:

Al efectuar estos cortes, siempre asegúrese de que la protección de la hoja y los trinquetes anticongolpe estén en su lugar y de que funcionan adecuadamente, para evitar posibles lesiones.

Los cortes transversales son cortes rectos a 90° hechos transversalmente a la fibra de la pieza de trabajo. La madera se avanza al corte a un ángulo de 90° de la hoja, y ésta está vertical. Los cortes al hilo se efectúan en dirección paralela a la fibra de la madera. Para evitar un conragolpe al efectuar un corte al hilo, asegúrese de que uno de los lados de la madera se desplace firmemente contra la guía de corte al hilo.

Los cortes a inglete se hacen con la madera a cualquier ángulo de la hoja diferente de 90°. La hoja está vertical. Los cortes a inglete tienden a “correrse” durante el corte. Esto se puede controlar sosteniendo firmemente la pieza de trabajo contra la guía de ingletes.

⚠ ADVERTENCIA:

Cuando se hace un corte sin traspaso, nunca madera de comida con las manos para prevenir manos de acercarse a la hoja. Siempre utilice un bloques empujadores, palos y empujadores, peine de sujeción para evitar posibles lesiones.

Los cortes en bisel se hacen con la hoja en ángulo. Los cortes en bisel transversales son a través de la fibra de la madera, y los cortes en bisel al hilo son paralelos a la fibra.

Los cortes a inglete combinados (con bisel) se hacen con la hoja en ángulo, en una tabla en ángulo con la hoja. Familiarícese totalmente con los cortes transversales, al hilo, en bisel y a inglete antes de intentar efectuar cortes a inglete combinados.

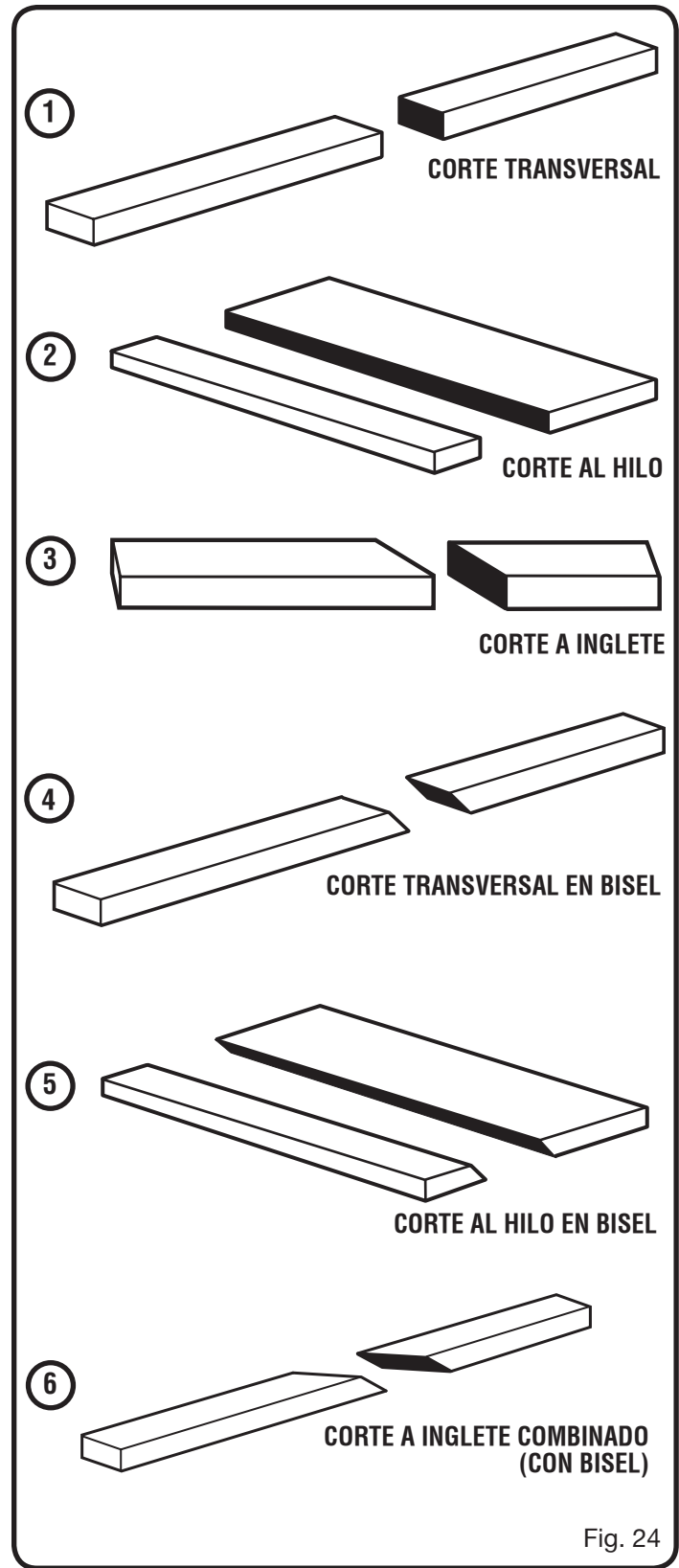
SUGERENCIAS PARA RECORTAR

Los cortes de ranurado y rebajado son cortes sin traspaso del espesor de la tabla, y pueden ser cortes al hilo o transversales. Lea cuidadosamente y comprenda todas las secciones de este manual del operador antes de intentar cualquier operación.

⚠ ADVERTENCIA:

No utilice hojas con una velocidad nominal inferior a la de esta herramienta. La falta de atención a esta advertencia podría causar lesiones corporales.

- El corte hecho por la hoja en la madera es más ancho que la hoja para evitar que ésta se sobrecaliente o se trabe. Al medir la madera considere la parte eliminada por el corte.
- Asegúrese de que el corte se efectúe en el lado de desperdicio de la línea de medición.



- Corte la madera con el lado acabado hacia arriba.
- Desaloje todo nudo suelto con un martillo antes de efectuar el corte.
- Siempre proporcione un apoyo adecuado para la madera conforme sale de la sierra.

FUNCIONAMIENTO

PARA CAMBIAR LA PROFUNDIDAD DE LA HOJA

Vea la figura 25.

Se debe ajustar la profundidad de la hoja de la sierra de manera que las puntas exteriores de la hoja queden más elevadas que la pieza de trabajo de 3,2 mm a 6,4 mm (1/8 pulg. a 1/4 pulg.) aproximadamente, pero los puntos más bajos (las gargantas) queden bajo la superficie superior.

- Empuje a la derecha la palanca de fijación de bisel.
- La hoja de corte se sube girando a la izquierda el volante de ajuste de altura y bisel, y se baja girando éste a la izquierda.

PARA CAMBIAR EL ÁNGULO DE LA HOJA (BISEL)

Vea la figura 26.

Esta sierra de mesa dispone de un control de bisel de piñón y cremallera que permite efectuar cortes en ángulos de 90° a 45°.

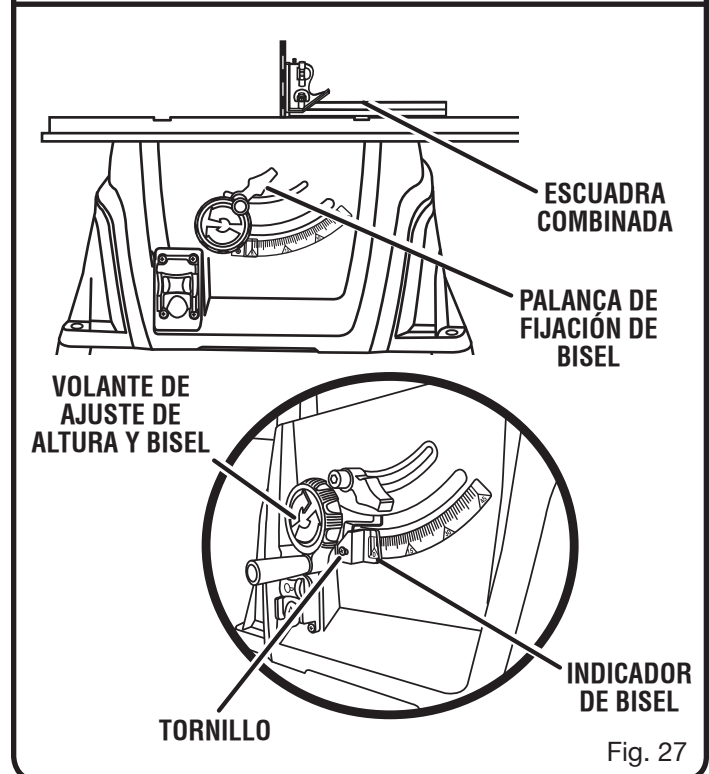
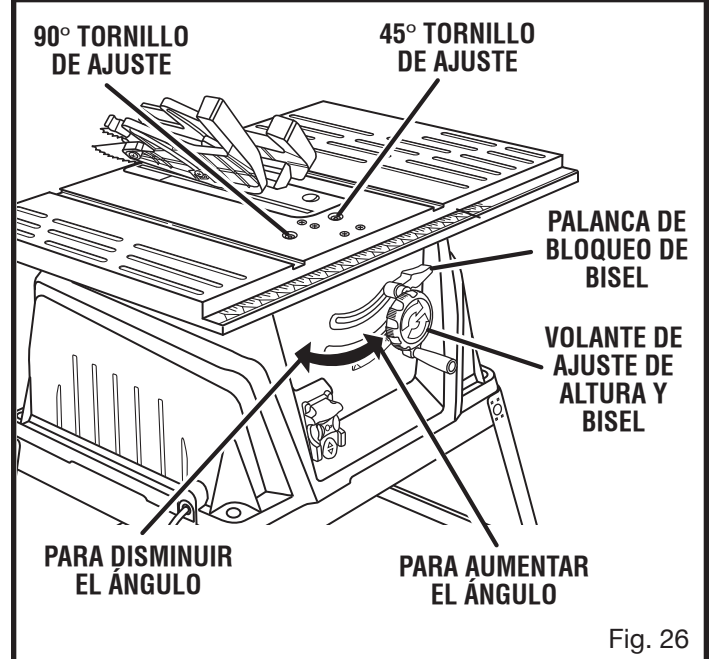
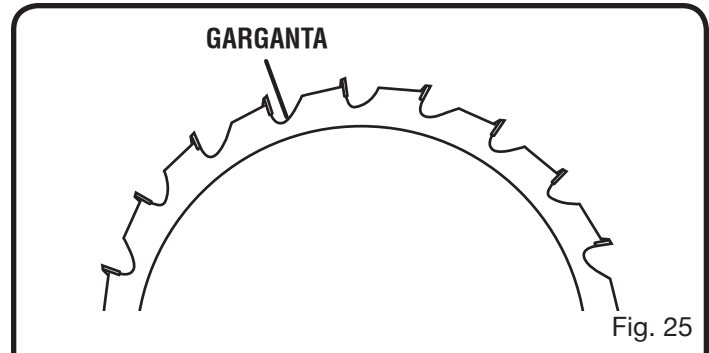
NOTA: Un corte a 90° tiene un bisel de 0°, y un corte de 45° tiene un bisel de 45°.

- Desconecte la sierra.
- Afloje el control de bisel; para ello, gire completamente a la izquierda la palanca de fijación de bisel. Si es necesario aflojarla aún más, extraiga la palanca de fijación de bisel de resorte y gírela a la derecha. Suelte la palanca de fijación de bisel y permita que se asiente en su posición original. Gírela a la izquierda de nuevo hasta no aflojarla.
- Deslizando el manija de ajuste de la hoja el derecho al ángulo 45°.
- Apriete el control de biseles; para ello, gire a la derecha la palanca de fijación de bisel. Si es necesario apretarla aún más, extraiga la palanca de fijación de biseles de resorte y gírela a la izquierda. Después suelte la palanca de fijación de biseles y permita que regrese a su posición original. Gírela de nuevo a la derecha. Repita este proceso hasta dejar apretada firmemente la palanca de fijación de bisel.

PARA AJUSTAR EL INDICADOR DE BISEL

Vea la figura 27.

Si el indicador de bisel no está a cero cuando la hoja de la sierra está a 90°, ajuste el indicador; para ello, afloje el tornillo y póngalo a 0° en la escala de bisel. Vuelva a apretar el tornillo.



FUNCIONAMIENTO

⚠ ADVERTENCIA:

Para reducir el riesgo de sufrir lesiones, siempre asegúrese de que la guía de corte al hilo esté paralela a la hoja, antes de iniciar cualquier operación.

PARA USAR LA GUÍA DE CORTE AL HILO

Vea la figura 28.

- Coloque el reborde trasero en la parte posterior de la mesa de la sierra y tire de aquélla un poco hacia la parte delantera de la unidad.
- Baje el extremo delantero de la guía de corte al hilo hasta las superficies guía de la parte superior del riel delantero.
- Con la guía de corte al hilo plana en la mesa de sierra, empuje la guía hacia la riel delantero para alinear la guía a la mesa del sierra.
- Empuje hacia abajo la palanca de fijación para alinear y fijar la guía.

Verifique que haya un movimiento deslizante suave. Si es necesario realizar ajustes, vea el apartado **Para verificar la alineación de la guía de corte al hilo con la hoja**, en la sección *Ajuste* de este manual.

- Efectúe dos o tres cortes de prueba en madera de desecho. Si no resultan exactos los cortes, repita el proceso.

NOTA: Debe estar asegurada la guía de corte al hilo cuando se engancha la manija de fijación. Para aumentar el puño de la guía de corte al hilo en el labio trasero de la mesa, aprieta el tornillo de fijación en el trasero de la valla de rasgón girandolo a la derecha.

PARA AJUSTAR A LA HOJA EL INDICADOR DE LA ESCALA DE LA GUÍA DE CORTE AL HILO

Vea la figura 28.

Use el indicador de la guía de corte al hilo para posicionar la guía sobre la escala en el riel delantero.

NOTA: Para poder efectuar este ajuste, debe retirarse los trinquetes anticontraGolpe y conjunto de protección. Una vez terminado el ajuste, vuelva a instalar el conjunto de protección de la hoja.

Comience con la hoja a un ángulo de cero grados (vertical).

- Desconecte la sierra.
- Afloje la guía de corte al hilo; para ello, levante la palanca de fijación.
- Con una escuadra de carpintero fije la guía de corte al hilo a 51 mm (2 pulg.) del borde de la punta de la hoja.
- Afloje el tornillo del indicador de escala y alinea con la 51 mm (2 pulg.) marca como mostrado.
- Apriete el tornillo y verifique la dimensión y la guía de corte al hilo.

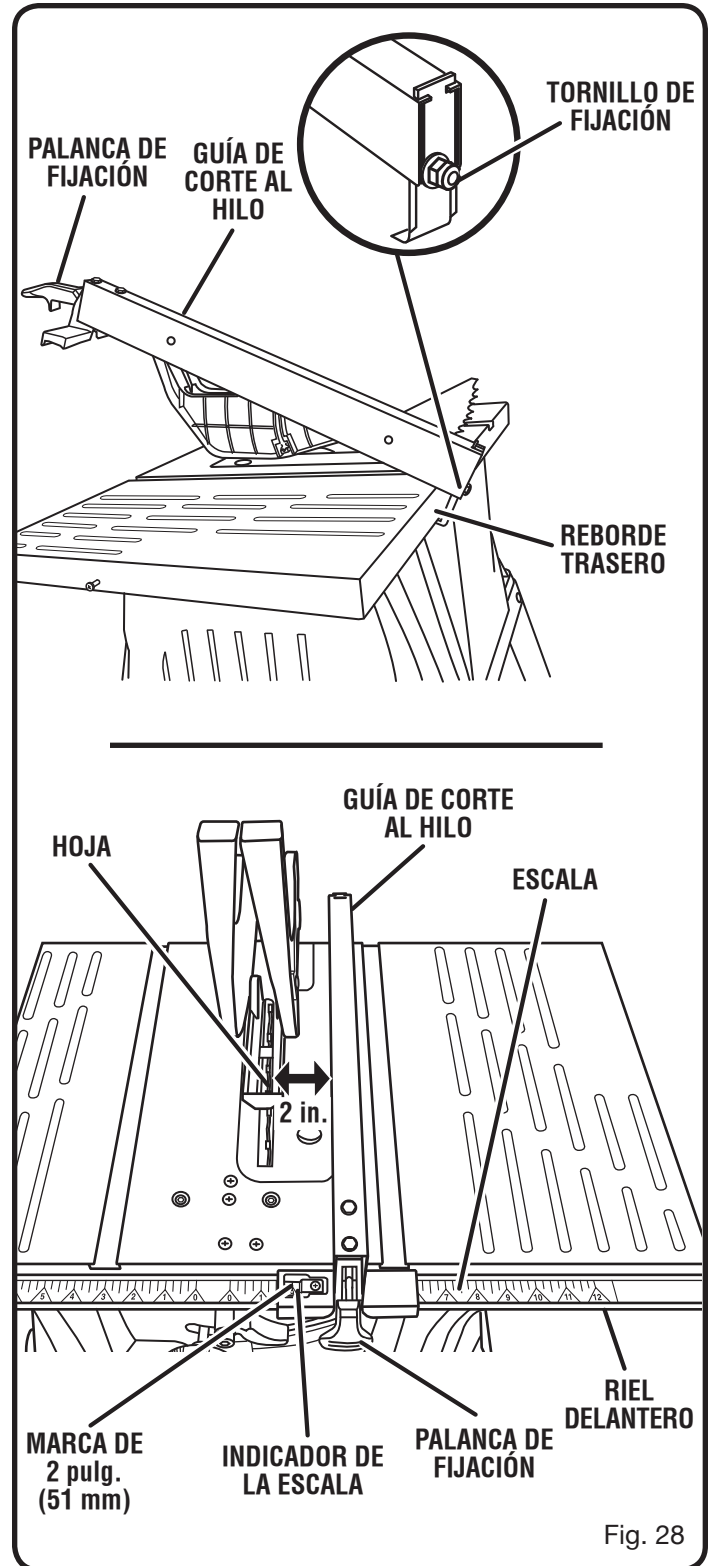


Fig. 28

FUNCIONAMIENTO

PARA USAR EL CALIBRADOR DE INGLETES

Vea la figura 29.

La guía de ingletes brinda una gran precisión en los cortes en ángulo. Para efectuar cortes con tolerancias muy estrechas se recomienda efectuar cortes de prueba.

Hay dos canales para el calibrador de ingletes, uno a cada lado de la hoja. Al efectuar cortes transversales a 90°, puede utilizarse cualquiera de los dos canales del calibrador de ingletes. Al realizar cortes transversales a bisel (con la hoja inclinada en relación con la mesa), la guía de ingletes debe estar en la ranura de la derecha, de manera que la hoja se incline en dirección opuesta a donde está el calibrador de ingletes y las manos del operador.

El calibrador de ingletes puede girarse 60° a la derecha o izquierda.

- Afloje la perilla de fijación.
- Con el calibrador de ingletes puesto en la ranura correspondiente, gírelo hasta llegar al ángulo deseado en la escala.
- Vuelva a apretar la perilla de fijación.

TALONEO DE LA HOJA (PONERLA PARALELA) CON LA RANURA DE LA GUÍA DE INGLETES

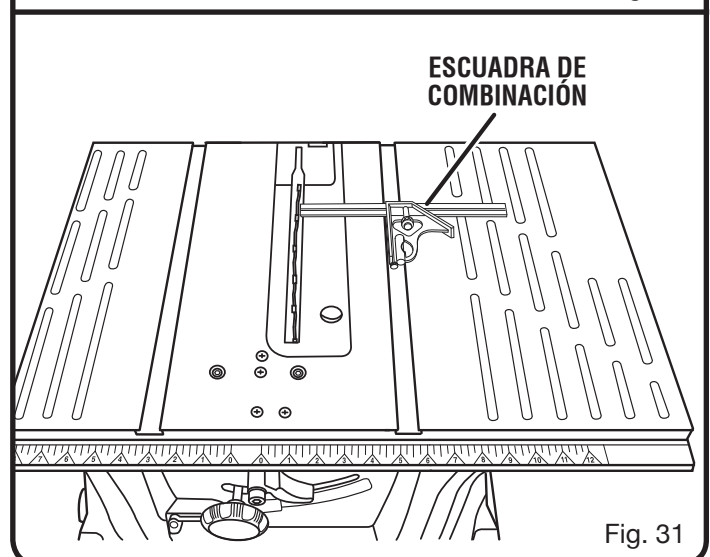
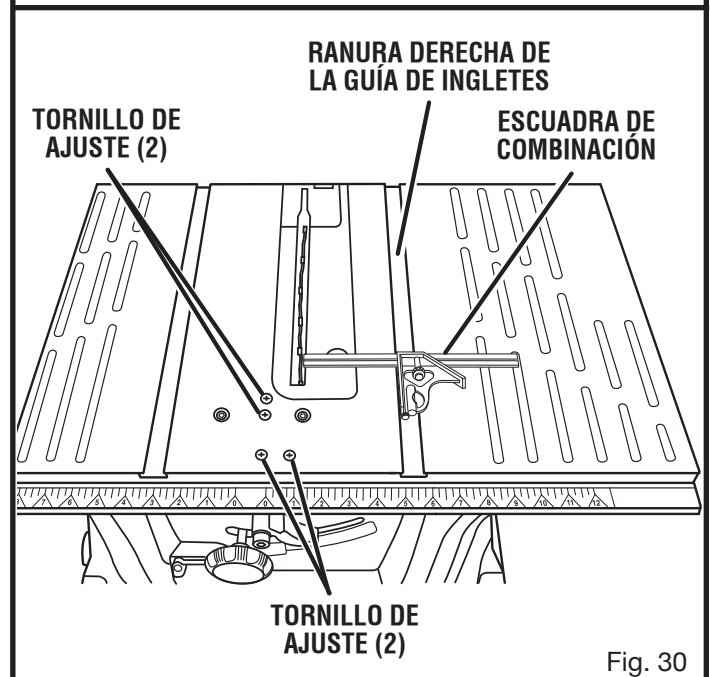
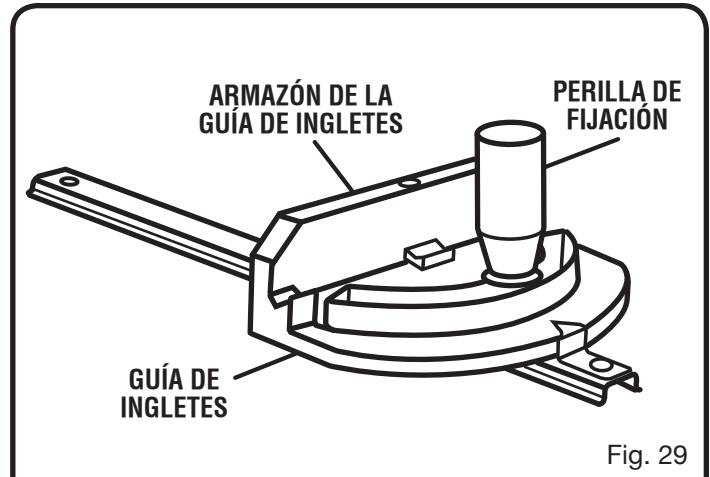
Vea las figuras 30 a 32.

ADVERTENCIA:

La hoja debe estar paralela a la ranura de la guía de ingletes de manera que la madera no se doble y se produzca un contragolpe. La inobservancia de esta advertencia puede causar lesiones serias.

No afloje ningún tornillo para este ajuste hasta que haya revisado con una escuadra y haya efectuado cortes de prueba para asegurarse de que son necesarios los ajustes. Una vez aflojados los tornillos, deben reajustarse estos elementos.

- Desconecte la sierra.
- Retirar la protección de la hoja y trinquetes anti-contragolpe. Eleve lo más posible la hoja con un giro de la volante de ajuste de altura de bisel.
- Marque un lado de uno de los dientes de la parte frontal de la hoja. Coloque una escuadra de combinación a nivel con la parte delantera de la mesa de la sierra y el costado de la hoja de la sierra, como se muestra en la figura 31.
- Gire la hoja de manera que el diente marcado quede atrás.
- Mueva la escuadra de combinación a la parte trasera y mida de nuevo la distancia. Si ambas distancias son iguales, significa que la hoja están cuadrada.



FUNCIONAMIENTO

Si ambas distancias medidas son diferentes:

- Colocar cuchilla separador en la posición “abajo”.
- Afloje los tornillos de ajuste en la frente y la espalda del sierra.
- Si la parte posterior de la hoja estaba muy lejos de la ranura de la guía de ingletes, coloque un bloque de madera en el lado izquierdo de la hoja y empújelo por la hoja hasta que ésta quede paralela a la ranura de la guía de ingletes. Vuelva a apretar los tornillos.
- Si la parte posterior de la hoja estaba muy cerca de la ranura de la guía de ingletes, coloque un bloque de madera en el lado derecho de la hoja y empújelo por la hoja hasta que ésta quede paralela a la ranura de la guía de ingletes.
- Vuelva a apretar los tornillos.

ADVERTENCIA:

Para reducir el riesgo de lesiones por un contragolpe, alinee la guía de corte al hilo con la hoja en seguida de los ajustes de ésta. Siempre asegúrese de que la guía de corte al hilo esté paralela a la hoja antes de iniciar cualquier operación.

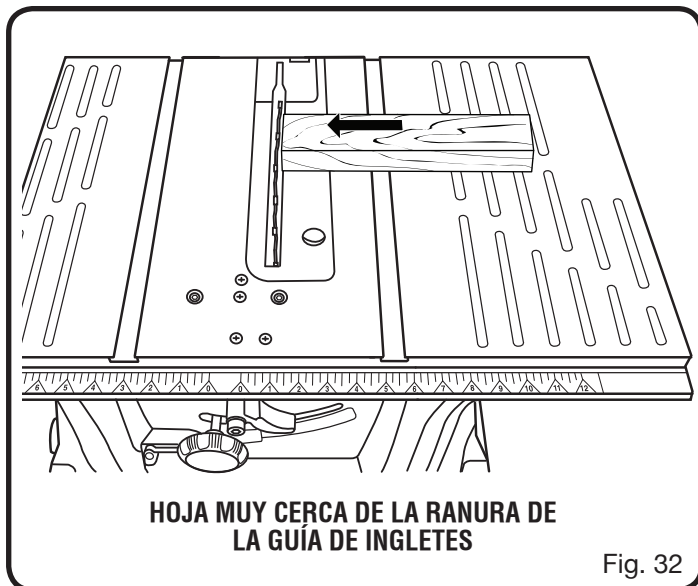
FORMA DE EFECTUAR CORTES

Su sierra de mesa puede realizar una variedad de cortes que no es mencionado todo en este manual. NO procure hacer ningún corte no cubrió aquí a menos que usted esté completamente familiarizado con los procedimientos apropiados y accesorios necesarios. Su biblioteca local tiene muchos libros en la mesa vieron uso y procedimientos especializados de carpintería para su referencia.

La hoja suministrada con la sierra es una hoja combinada de alta calidad adecuada para operaciones de corte al hilo y transversal. Verifique cuidadosamente todos los ajustes y gire la hoja una vuelta completa para asegurarse de que haya espacio libre adecuado antes de conectar la sierra al suministro de corriente. Párese un trayectoria de la hoja para reducir la posibilidad de lesiones si ocurre un contragolpe.

ADVERTENCIA:

No utilice hojas con una velocidad nominal inferior a la de esta herramienta. La inobservancia de esta advertencia podría causar lesiones corporales.



FUNCIONAMIENTO

Utilice la guía de ingletes cuando efectúe cortes trans-versales, a inglete, en bisel y a inglete combinados. Para fijar el ángulo, deje bloqueada la guía de ingletes en su lugar girando la perilla de bloqueo hacia la derecha. Siempre apriete firmemente en su lugar la perilla de bloqueo antes de utilizar la unidad.

NOTA: Se recomienda colocar la pieza que se va a conservar en el lado izquierdo de la hoja y efectuar primero un corte de prueba en madera de desecho.

PARA EFECTUAR CORTES TRANSVERSALES

Vea las figuras 33 y 34.

ADVERTENCIA:

Asegúrese de que esté instalado y funcione adecuadamente el conjunto de protección de la hoja, para evitar posibles lesiones graves.

ADVERTENCIA:

El uso de la guía de corte al hilo como guía tope al efectuar cortes transversales produce un contragolpe que puede causar lesiones corporales graves.

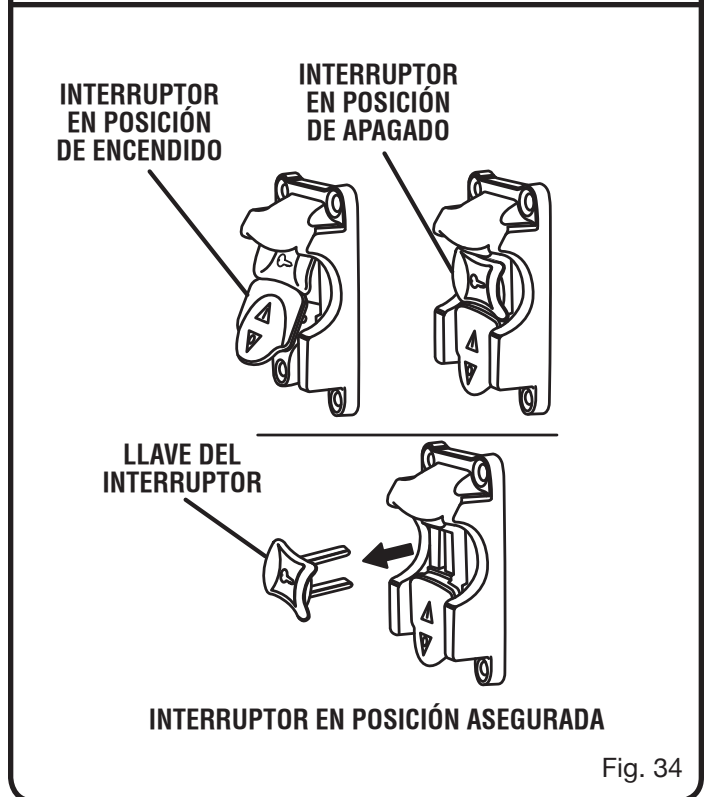
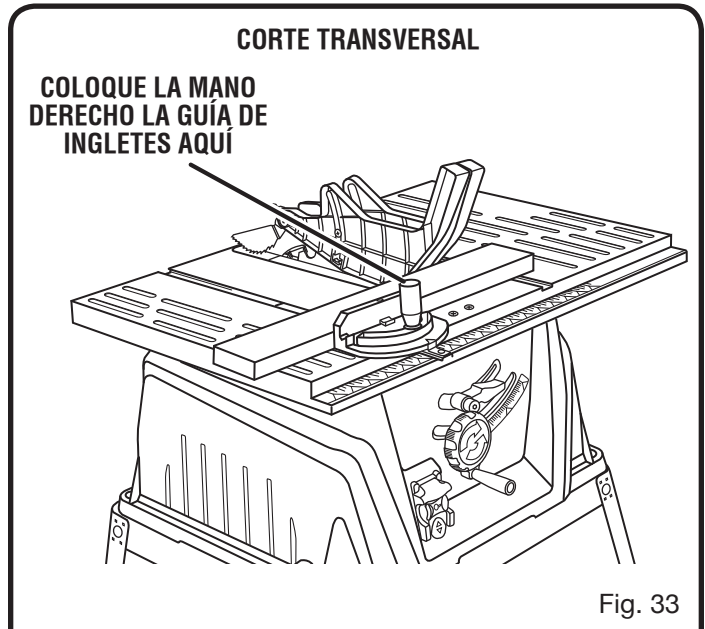
- Desmunte la guía de corte al hilo.
- Ajuste la hoja a la profundidad correcta para la pieza de trabajo.
- Fije la guía de ingletes a 0° y apriete la perilla de fijación.
- Asegúrese de que la madera está lejos de la hoja antes de encender la sierra.
- Para **ENCENDER** la sierra, levante de interruptor.
- Para **APAGAR** la sierra, oprima hacia abajo de interruptor.

NOTA: Para evitar el uso no autorizado, retire la llave del interruptor, como se muestra en la figura 34.

- Permita que la hoja alcance la velocidad plena antes de mover la pieza de trabajo hacia la hoja.
- Sostenga firmemente la pieza de trabajo con ambas manos en la guía de ingletes y alimente la pieza a la hoja de corte.

NOTA: La mano más cercana a la hoja debe colocarse en la perilla de bloqueo de la guía de ingletes y la mano más alejada debe colocarse en la pieza de trabajo.

- Cuando termine el corte, apague la sierra. Espere a que la hoja se detenga por completo antes de retirar la pieza de trabajo.



FUNCIONAMIENTO

CÓMO EFECTUAR CORTES AL HILO

Vea la figura 35.

⚠ ADVERTENCIA:

Asegúrese de que esté instalado y funcione adecuadamente el conjunto de protección de la hoja para evitar posibles lesiones graves.

⚠ ADVERTENCIA:

Los cortes de cónico sólo deben ser hechos con una vaivén especial, que está disponible comercialmente. No procure corte de cónico de a pulso en esta sierra. La inobservancia de las instrucciones abajo puede causar lesiones corporales graves.

- Ajuste la hoja a la profundidad correcta para la pieza de trabajo.
- Coloque la guía de corte al hilo a la distancia deseada de la hoja para el corte y asegure firmemente la manija.
- Al corte longitudinal un pieza de trabajo largo, coloque un soporte de la misma altura que la superficie de la mesa atrás de la sierra para recibir la pieza de trabajo cortada.
- Instale el peine de sujeción en la posición adecuada para el corte que se hizo.
- Asegúrese de que la madera está lejos de la hoja antes de encender la sierra.
- Coloque el interruptor de corriente en la posición de encendido.
- Coloque la pieza de trabajo plana sobre la mesa con la orilla pegada contra la guía de corte al hilo. Permita que la hoja alcance la velocidad plena antes de avanzar la pieza de trabajo hacia la hoja.
- Una vez que la hoja toque la pieza de trabajo, utilice la mano más cercana a la guía de corte al hilo para guiarla. Asegúrese de que la orilla de la pieza de trabajo permanezca en contacto sólido tanto con la guía de corte al hilo como con la superficie de la mesa. Si corta al hilo una pieza angosta, utilice un palo empujador para mover la pieza durante el corte a través de la hoja.
- Cuando termine el corte, apague la sierra. Espere a que la hoja se detenga por completo antes de retirar la pieza de trabajo.

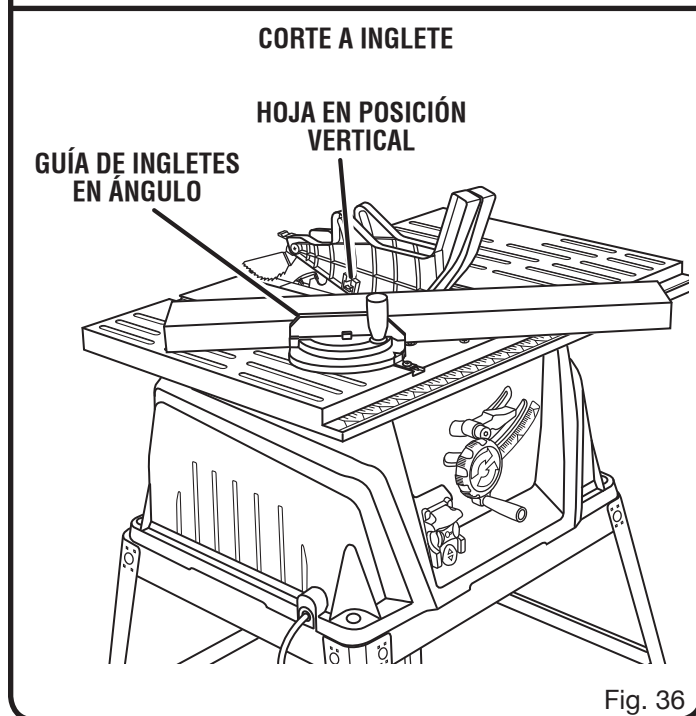
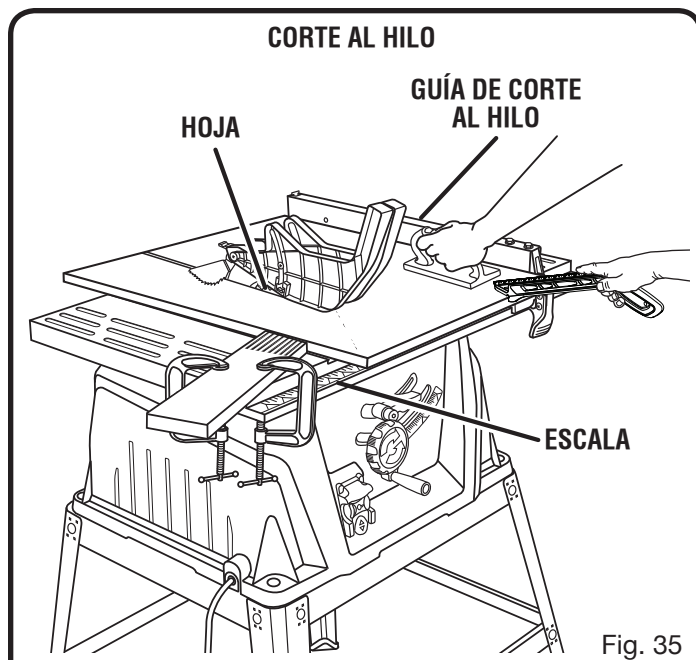
CÓMO EFECTUAR CORTES A INGLETE

Vea la figura 36.

⚠ ADVERTENCIA:

Asegúrese de que esté instalado y funcione adecuadamente el conjunto de protección de la hoja para evitar posibles lesiones graves.

- Desmonte la guía de corte al hilo.
- Ajuste la hoja a la profundidad correcta para la pieza de trabajo.
- Coloque la guía de ingletes al ángulo deseado y apriete la perilla de la mordaza de ajuste.
- Asegúrese de que la madera está lejos de la hoja antes de encender la sierra.



- Coloque el interruptor de corriente en la posición de encendido.
 - Permita que la hoja alcance la velocidad plena antes de mover la pieza de trabajo hacia la hoja.
 - Sostenga firmemente la pieza de trabajo con ambas manos en la guía de ingletes y alimente la pieza a la hoja de corte.
- NOTA:** La mano más cercana a la hoja debe colocarse en la perilla de bloqueo de la guía de ingletes y la mano más alejada debe colocarse en la pieza de trabajo.
- Cuando termine el corte, apague la sierra. Espere a que la hoja se detenga por completo antes de retirar la pieza de trabajo.

FUNCIONAMIENTO

CÓMO EFECTUAR CORTES TRANSVERSALES EN BISEL

Vea las figuras 37 y 38.

⚠ ADVERTENCIA:

Asegúrese de que esté instalado y funcione adecuadamente el conjunto de protección de la hoja para evitar posibles lesiones graves.

⚠ ADVERTENCIA:

La guía de ingletes debe estar del lado derecho de la hoja para evitar atrapar la madera y causar un contragolpe. La colocación de la guía de ingletes a la izquierda de la hoja produciría un contragolpe y el consiguiente riesgo de lesiones corporales graves.

- Desmonte la guía de corte al hilo.
 - Afloje la palanca de fijación de bisel.
 - Ajuste el ángulo de bisel según desee.
 - Enganche la palanca de fijación de bisel.
 - Ajuste la hoja a la profundidad correcta para la pieza de trabajo.
 - Fije la guía de ingletes a 0° y apriete la perilla de la mordaza de ajuste.
 - Asegúrese de que la madera está lejos de la hoja antes de encender la sierra.
 - Coloque el interruptor de corriente en la posición de encendido.
 - Permita que la hoja alcance la velocidad plena antes de mover la pieza de trabajo hacia la hoja.
 - Sostenga firmemente la pieza de trabajo con ambas manos en la guía de ingletes y alimente la pieza a la hoja de corte.
- NOTA:** La mano más cercana a la hoja debe colocarse en la perilla de bloqueo de la guía de ingletes y la mano más alejada debe colocarse en la pieza de trabajo.
- Cuando termine el corte, apague la sierra. Espere a que la hoja se detenga por completo antes de retirar la pieza de trabajo.

CÓMO EFECTUAR CORTES AL HILO EN BISEL

Vea la figura 39.

⚠ ADVERTENCIA:

Asegúrese de que esté instalado y funcione adecuadamente el conjunto de protección de la hoja para evitar lesiones graves.

⚠ ADVERTENCIA:

La guía de corte al hilo debe estar del lado derecho de la hoja para evitar atrapar la madera y causar un contragolpe. La colocación de la guía de corte al hilo a la izquierda de la hoja produciría un contragolpe y el consiguiente riesgo de lesiones corporales graves.

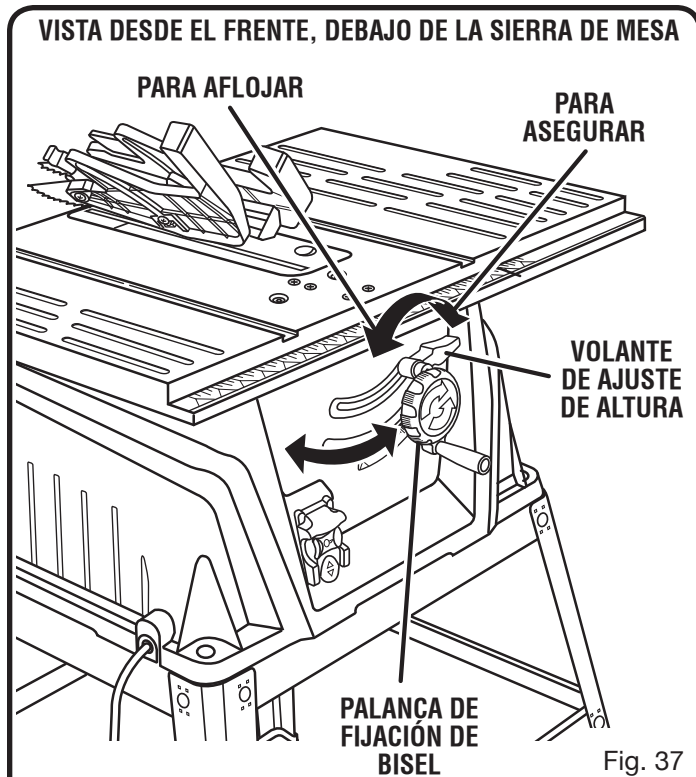


Fig. 37

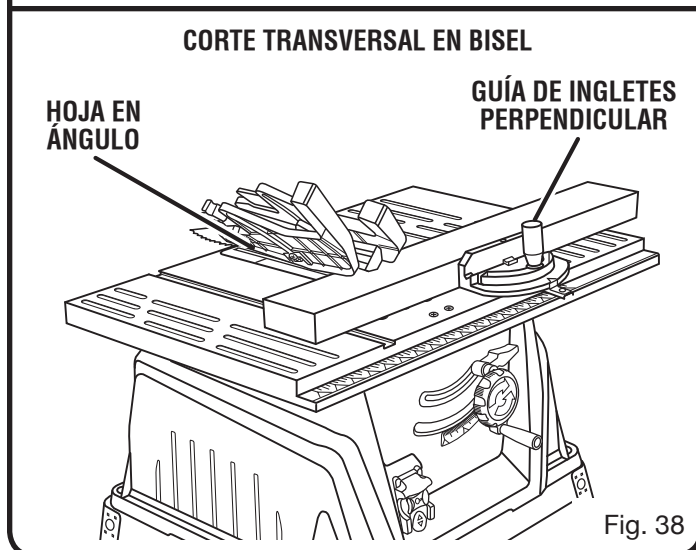


Fig. 38

- Retire la guía de ingletes.
- Instale el peine de sujeción en la posición adecuada para el corte que se hizo.
- Afloje la palanca de fijación de bisel.
- Ajuste el ángulo de bisel según desee.
- Enganche la palanca de fijación de bisel.
- Ajuste la hoja a la profundidad correcta.
- Coloque la guía de corte al hilo a la distancia deseada de la hoja y asegure la manija.
- Asegúrese de que la madera está lejos de la hoja antes de encender la sierra.

FUNCIONAMIENTO

- Al corte longitudinal un pieza de trabajo largo, coloque un soporte de la misma altura que la superficie de la mesa atrás de la sierra para recibir la pieza de trabajo cortada.
- Coloque el interruptor de corriente en la posición de encendido.
- Coloque la pieza de trabajo plana sobre la mesa con la orilla pegada contra la guía de corte al hilo. Permita que la hoja alcance la velocidad plena antes de avanzar la pieza de trabajo hacia la hoja.
- Una vez que la hoja toque la pieza de trabajo, utilice la mano más cercana a la guía de corte al hilo para guiarla. Asegúrese de que la orilla de la pieza de trabajo permanezca en contacto sólido tanto con la guía de corte al hilo como con la superficie de la mesa. Si corta al hilo una pieza angosta, utilice una palas empujadora para mover la pieza durante el corte a través de la hoja.
- Cuando termine el corte, apague la sierra. Espere a que la hoja se detenga por completo antes de retirar la pieza de trabajo.

CÓMO EFECTUAR CORTES A INGLETE COMBINADOS (EN BISEL)

Vea la figura 40.

⚠ ADVERTENCIA:

Asegúrese de que esté instalado y funcione adecuadamente el conjunto de protección de la hoja para evitar posibles lesiones graves.

⚠ ADVERTENCIA:

La guía de ingletes debe estar del lado derecho de la hoja para evitar atrapar la madera y causar un contragolpe. La colocación de la guía de ingletes a la izquierda de la hoja produciría un contragolpe y el consiguiente riesgo de lesiones corporales graves.

- Desmunte la guía de corte al hilo.
- Afloje la palanca de fijación de bisel.
- Ajuste el ángulo de bisel según desee.
- Enganche la palanca de fijación de bisel.
- Ajuste la hoja a la profundidad correcta para la pieza de trabajo.
- Afloje la perilla de la mordaza de ajuste de la guía de ingletes, fije ésta al ángulo deseado y apriete la perilla de la mordaza de ajuste.
- Asegúrese de que la madera está lejos de la hoja antes de encender la sierra.
- Coloque el interruptor de corriente en la posición de encendido.
- Permita que la hoja alcance la velocidad plena antes de mover la pieza de trabajo hacia la hoja.
- Sostenga firmemente la pieza de trabajo con ambas manos en la guía de ingletes y alimente la pieza a la hoja de corte.

NOTA: La mano más cercana a la hoja debe colocarse en la perilla de la mordaza de ajuste y la mano más alejada debe colocarse en la pieza de trabajo.

- Cuando termine el corte, apague la sierra. Espere a que la hoja se detenga por completo antes de retirar la pieza de trabajo.

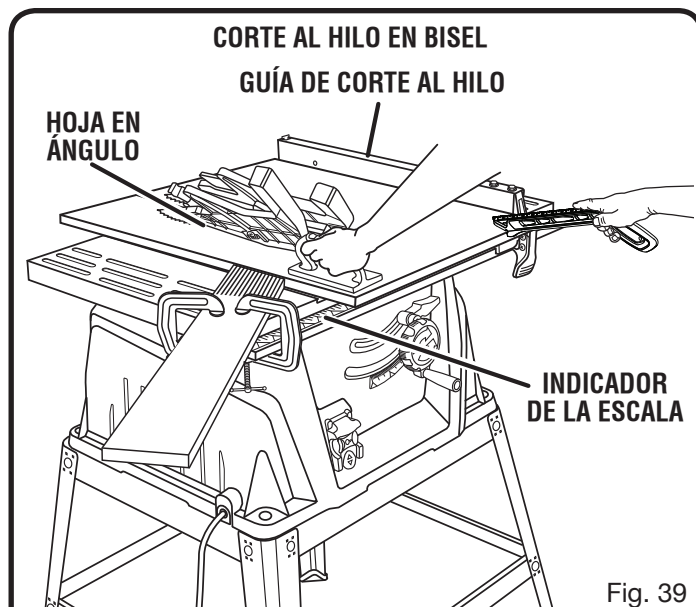


Fig. 39



Fig. 40

FUNCIONAMIENTO

CÓMO EFECTUAR UN CORTE SIN TRASPASO

Vea la figura 41.

ADVERTENCIA:

NO instalar hojas de ranurar en esta máquina. El polea del árbol tiene rosca insuficientes para instalar una hoja de ranura. Montar una hoja de ranura podría tener como resultado el riesgo de puede lesiones serias.

Pueden efectuarse cortes sin traspaso (hizo con un estándar 10 pulg. hoja) del espesor de la pieza de trabajo paralelos a la fibra de la madera (corte al hilo) o transversales a la fibra (corte transversal). El corte sin traspaso del espesor de la pieza de trabajo es esencial para cortar ranuras, rebajos y mortajas. **NO** efectúe cortes en bisel sin traspaso en esta máquina.

Este es el único tipo de corte que se efectúa sin el conjunto de protección de la hoja instalado. Asegúrese de reinstalar el conjunto de protección de la hoja al terminar este tipo de corte.

Lea la sección correspondiente donde se describe el tipo de corte en cuestión, además de esta sección sobre cortes sin traspaso del espesor de la pieza de trabajo, o de ranuras. Por ejemplo, si corte sin traspaso de la pieza de trabajo es un corte transversal recto, antes de proseguir lea y comprenda la sección sobre cortes transversales rectos.

ADVERTENCIA:

Cuando se hace un corte sin traspaso del espesor de la pieza de trabajo, la hoja queda cubierta con la pieza de trabajo durante la mayor parte del corte. Para evitar el riesgo de lesiones, esté alerta de la hoja expuesta al principio y final de cada corte.

ADVERTENCIA:

Cuando haga cualquier corte sin traspaso del espesor de la pieza de trabajo, como rebajos y ranuras, nunca avance la madera con las manos. Para evitar lesiones, siempre utilice planchas y estacas empujadoras, así como peines de sujeción.

- Desconecte la sierra.
- Retirar el conjunto de protección de la hoja y trinquetes anticongolpe.
- Coloque cuchilla separadora “abajo” en la posición.
- Afloje la palanca de fijación de bisel.

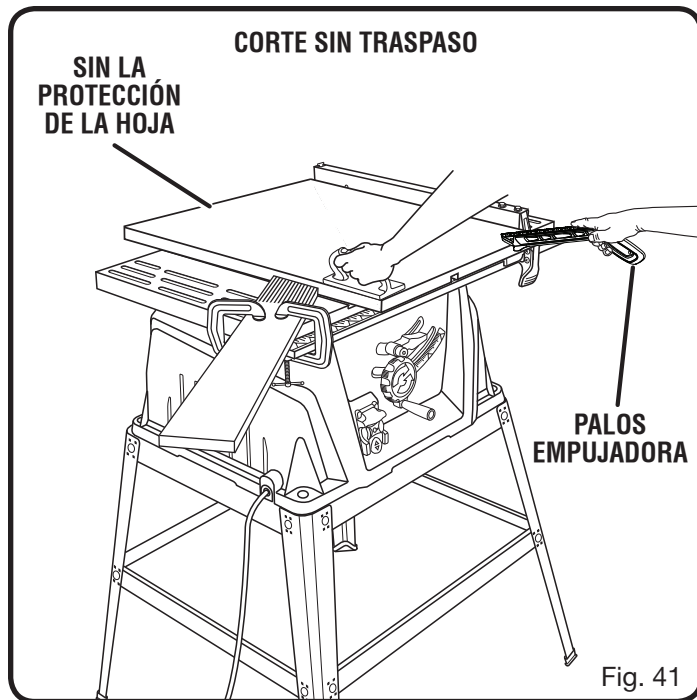


Fig. 41

- Establezca el ángulo de bisel a 0°.
- Enganche la palanca de fijación de bisel.
- Ajuste la hoja a la altura correcta para la pieza de trabajo.
- Según sea la forma y el tamaño de la madera, utilice la guía de corte al hilo o la guía de ingletes.
- Conecte la sierra en el suministro de corriente y gire la sierra.
- Permita que la hoja alcance la velocidad plena antes de mover la pieza de trabajo hacia la hoja.
- Cuando haga cortes sin traspaso del espesor de la pieza de trabajo, siempre utilice bloques o palos empujadores y peines de sujeción apropiadamente para evitar el riesgo de lesiones graves.
- Cuando termine el corte, apague la sierra; para ello, ponga el botón en la posición apagado. Espere a que la hoja se detenga por completo antes de retirar la pieza de trabajo.

Una vez terminados todos los cortes sin traspaso del espesor de la pieza de trabajo:

- Desconecte la sierra.
- Baje cuchilla separador en la posición “arriba” entonces instalar el protección de la hoja y trinquetes anti-congralpe.

AJUSTES

⚠ ADVERTENCIA:

Antes de efectuar cualquier ajuste, asegúrese de que la herramienta esté desconectada del suministro de corriente y de que el interruptor esté en la posición de **APAGADO (OFF)**. La falta de atención a esta advertencia podría causar lesiones corporales graves.

Para evitar configuraciones y ajustes innecesarios, una buena práctica es verificar cada configuración cuidadosamente con una escuadra de carpintero, y efectuar cortes en madera de desecho antes de efectuar cortes finales en piezas de trabajo buenas. No inicie ningún ajuste sin haber revisado con una escuadra y haber efectuado cortes de prueba para asegurarse de que son necesarios los ajustes.

PARA REEMPLAZAR LA HOJA

Vea las figuras 42 a 44.

La anchura del corte debe estar dentro de los límites estampados en el cuchilla separadora.

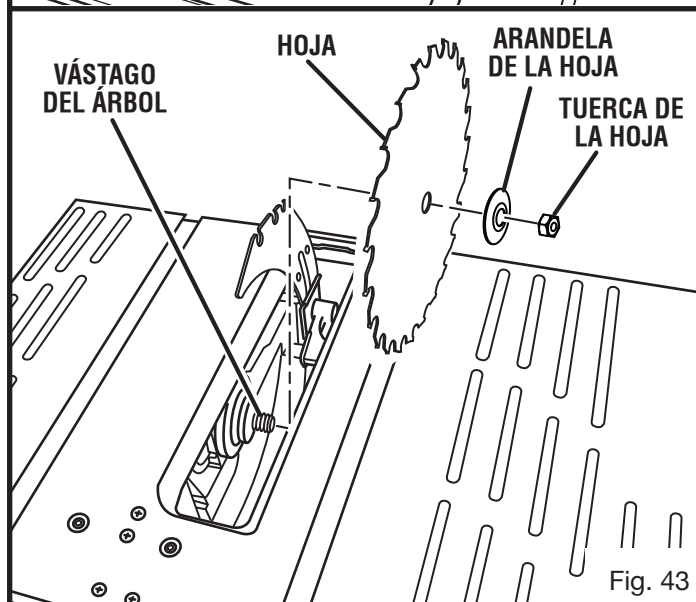
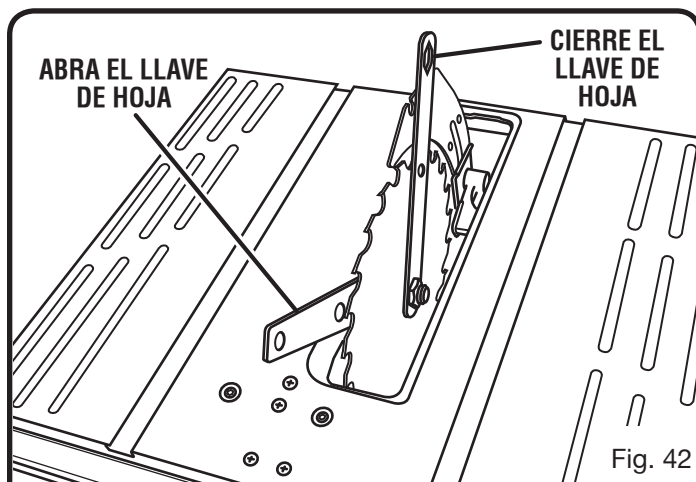
- Desconecte la sierra.
- Retire la protección de la hoja y trinquetes anticontragolpe.
- Baje la hoja de la sierra y retire la placa de la garganta.
- Asegúrese de que la palanca de fijación de bisel esté fijamente.
- Suba la hoja a su máxima altura.
- Inserte una abra el llave de hoja abierto en las caras planas de polea del árbol.
- Coloque el extremo cerrado de la cierre el llave de hoja en la tuerca de la hoja. Teniendo ambas llaves firmemente, tiran la cierre el llave de hoja (lado de derecho) delantero al empujar el abra el llave de hoja (lado de izquierdo) a la trasero de la sierra. Retire la tuerca.
- Verrouillage le levier de dégagement y retirar la hoja.

NOTA: El árbol tiene mano de enhebra derechos.

Para instalar la hoja estándar:

- Coloque la nueva hoja en el árbol (los dientes deben apuntar hacia el frente, hacia abajo, para que funcione correctamente la sierra).
- Coloque la arandela de la hoja y la tuerca de la hoja sobre el vástago de la hoja. Verifique que el lado redondeado de la arandela de la hoja esté cara afuera con respecto a la hoja, y que todos los componentes estén bien colocados contra el alojamiento del árbol. Asegúrese de que la tuerca de la hoja esté firmemente apretada. No apriete excesivamente.
- Asegurar la palanca de afloje.
- Girar la hoja con la mano para comprobar.
- Baje la hoja de la sierra y instalar la placa de garganta.
- Verifique la existencia de los espacios necesarios para permitir el giro libre de la hoja.

NOTA: Para sustituir la hoja estándar por una de accesorio, siga las instrucciones suministradas con éste.



AJUSTES

PARA FIJAR LA HOJA A 0° Y A 45°

Veá las figuras 45 - 47.

Los ajustes de ángulo de la sierra se hicieron en la fábrica y, a menos que se hayan dañado durante el transporte, no necesitan ajuste durante el armado. Después de un uso intenso, es posible que se necesite revisar.

- Desconecte la sierra.
- Suba la hoja.
- Quite el conjunto de protección de la hoja.

Si la hoja no está perfectamente vertical (0°):

- Afloje el tornillo de ajuste y la palanca de fijación de bisel.
- Coloque una escuadra de carpintero junto a la hoja, por hacia abajo. Fije el ángulo; para ello empuje la palanca de fijación de bisel y vuelva a apretar el tornillo de ajuste.
- Gire la mango hasta que el indicador de bisel indique cero. Si se gira la mango completamente y no indica cero como debiera, posiblemente sea necesario ajustar el indicador de bisel.

NOTA: Será necesario retirar la mango para ajustar el indicador correspondiente.

Si la hoja no está perfectamente a 45°:

- Afloje el tornillo de ajuste y la palanca de fijación de bisel.
- Coloque una escuadra combinada o una regla a la izquierda de la hoja.
- Gire la mango hasta que la parte inferior de la hoja de corte se haya movido completamente hacia el lado izquierdo de la ranura. Bloquee el ángulo empujando la palanca de fijación de bisel.
- Si la hoja no está perfectamente a 45°, afloje el tornillo de ajuste de 45° y la palanca de fijación de bisel.
- Ajuste el indicador a 45°.
- Realice un corte de prueba.

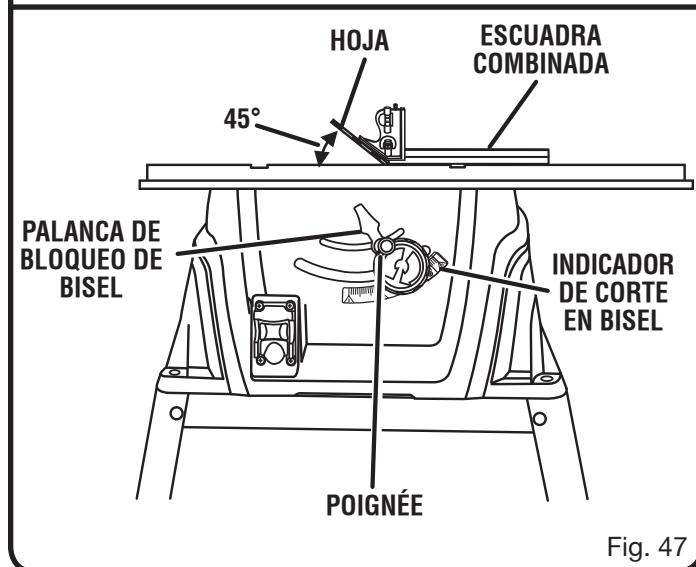
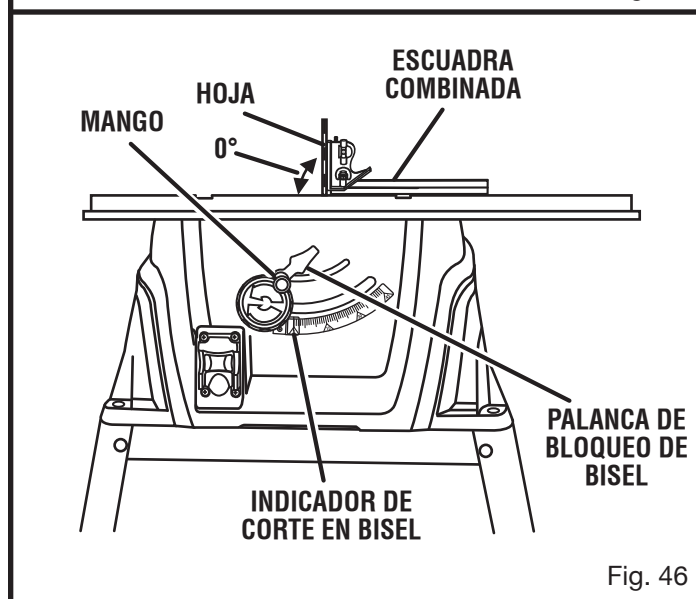
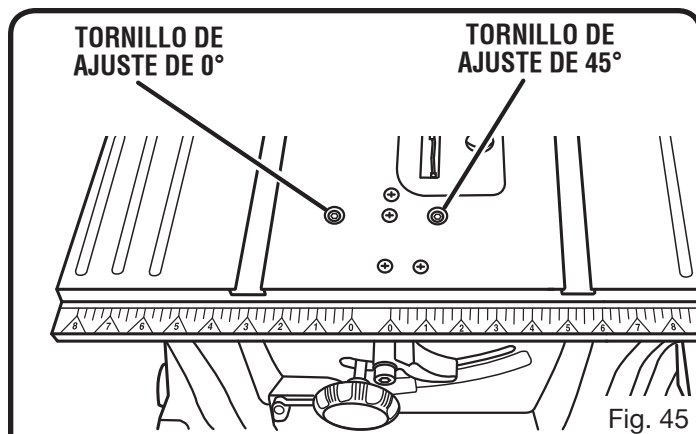
VERIFICACION DEL ALINEAMIENTO DE LA GUIA DE CORTE AL HILO EN RELACION A LA HOJA

Ver Figura 48.

La guía de corte al hilo debe estar paralela a la hoja de la sierra y a las ranuras de la guía de ingletes.

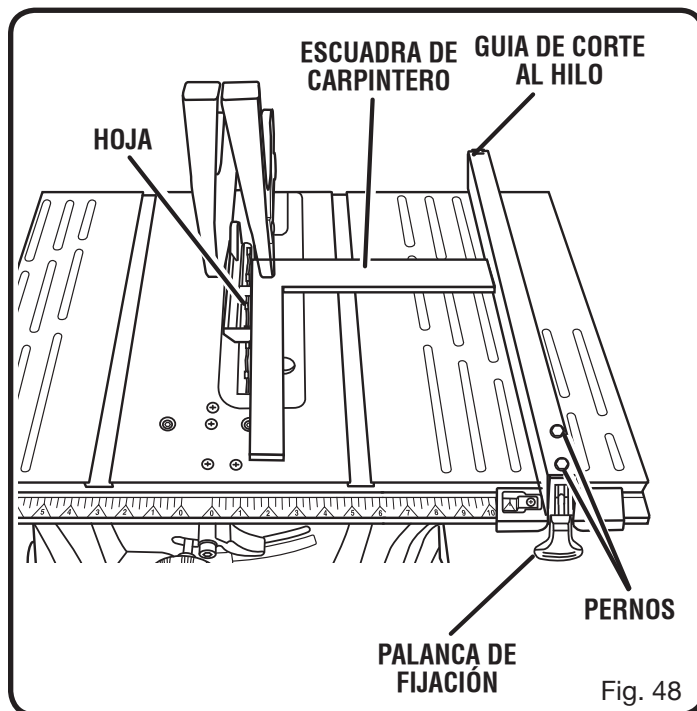
ADVERTENCIA:

Cualquier desalineación de la guía de corte al hilo puede causar contragolpes y atoramientos. Para disminuir el riesgo de lesiones, siempre mantenga bien alineada la guía de corte al hilo.



AJUSTES

- Desconecte la sierra.
- Levante la manija de bloqueo para poder mover la guía de corte al hilo.
- Coloque una escuadra de carpintero junto a la hoja y mueva la guía de corte al hilo hacia la escuadra. Observe la dimensión en la escala de corte al hilo.
- Mueva hacia atrás la guía y gire la escuadra de carpintero 180° para verificar el otro lado.
- Si las dos dimensiones no son iguales, afloje los dos pernos situados en la guía y alinéela.
- Vuelva a apretar los dos pernos.
- Haga dos o tres cortes de prueba en restos de madera. Si los cortes no están a escuadra, repita el proceso.



MANTENIMIENTO

⚠ ADVERTENCIA:

Al dar servicio a la unidad, sólo utilice piezas de repuesto idénticas. El empleo de piezas diferentes puede causar un peligro o dañar el producto.

⚠ ADVERTENCIA:

Siempre póngase protección ocular con la marca de cumplimiento de la norma ANSI Z87.1. Si la operación genera mucho polvo, también póngase una mascarilla contra el polvo.

⚠ ADVERTENCIA:

Antes de efectuar cualquier mantenimiento, asegúrese de que la herramienta esté desconectada de la fuente de alimentación y que el interruptor esté en la posición **APAGADO (O)**. El incumplimiento de esta advertencia puede causar una lesión personal grave.

⚠ ADVERTENCIA:

No permita en ningún momento que líquido para frenos, gasolina, productos a base de petróleo, aceites penetrantes, etc., lleguen a tocar las piezas de plástico. Las sustancias químicas pueden dañar, debilitar o destruir el plástico, lo cual a su vez puede producir lesiones corporales graves.

- Revise periódicamente el apriete y el estado físico de todas las mordazas, tuercas, pernos y tornillos. Asegúrese de que esté en buen estado y en su posición la placa de la garganta.
- Revise el sistema protector de la hoja.
- Para dar mantenimiento a las superficies, guía de corte al hilo y rieles de la mesa, aplíqueles periódicamente cera en pasta para lograr un funcionamiento eficiente.
- Proteja la hoja de la sierra; para ello, limpie todo el polvo de aserrín acumulado en la parte inferior de la mesa y en los dientes de la hoja. Aplique solvente para resina en los dientes de la hoja.
- **Limpie las piezas de plástico solamente con un paño suave húmedo. NO** use ningún solvente en aerosol o a base de petróleo.

LUBRICACIÓN

Todos los cojinetes de esta herramienta están lubricados con suficiente cantidad de aceite de alta calidad para toda la vida útil de la unidad en condiciones normales de funcionamiento. Por tanto, no se necesita lubricación adicional.

MANTENIMIENTO GENERAL

Evite el empleo de solventes al limpiar piezas de plástico. La mayor parte de los plásticos son susceptibles a diferentes tipos de solventes comerciales y pueden dañarse. Utilice paños limpios para eliminar la suciedad, polvo, aceite, grasa, etc.

CORRECCIÓN DE PROBLEMAS

| Problema | Causa | Solución |
|---|--|---|
| Vibración excesiva. | <p>Hoja desequilibrada.</p> <p>Hoja dañada.</p> <p>La sierra no está bien asegurada.</p> <p>La superficie del trabajo es dispareja.</p> <p>La hoja está combada.</p> | <p>Reemplace la hoja.</p> <p>Reemplace la hoja.</p> <p>Apriete toda la ferretería.</p> <p>Coloque en una superficie plana.</p> <p>Verifique la instalación de la hoja de la sierra. Reemplace la hoja si es necesario.</p> |
| La guía de corte al hilo no se mueve suavemente. | <p>La guía de corte al hilo está mal instalada.</p> <p>Los rieles están sucios o pegajosos.</p> <p>El tornillo de la grampa está mal ajustado.</p> | <p>Vuelva a instalar la guía de corte al hilo.</p> <p>Limpie y encere los rieles.</p> <p>Ajuste el tornillo de la grampa apretándolo hacia la izquierda.</p> |
| La guía de corte al hilo no se bloquea en la parte trasera. | <p>El tornillo de la grampa está mal ajustado.</p> | <p>Ajuste el tornillo de la grampa apretándolo hacia la derecha.</p> |
| El corte quema o aglutina la madera. | <p>La hoja no está afilada.</p> <p>La hoja se inclina.</p> <p>El trabajo es alimentado demasiado rápido.</p> <p>La guía de corte al hilo está desalineada.</p> <p>La madera está combada.</p> <p>Está desalineado el cuchilla separador.</p> | <p>Reemplace o afile la hoja.</p> <p>Vea el apartado “Taloneo de la hoja (ponerla paralela) con la ranura de la guía de ingleses”.</p> <p>Disminuya la velocidad de alimentación.</p> <p>Alinee la guía de corte al hilo.</p> <p>Cambie la madera. Siempre corte con el lado convexo hacia la superficie de la mesa.</p> <p>Vea el apartado “Para revisar y alinear cuchilla separador y la hoja”, en la sección <i>Armado</i>.</p> |
| La madera se aleja de la guía cuando se hacen cortes al hilo. | <p>La hoja no está debidamente afilada o ajustada.</p> | <p>Afile o ajuste la hoja.</p> |

CORRECCIÓN DE PROBLEMAS

| Problema | Causa | Solución |
|---|---|--|
| La sierra no hace cortes precisos de 90 o 45 grados. | Los topes positivos dentro de la caja de la sierra necesitan ajuste. (Cortes en Bisel) La guía de inglete está desalineada. (Cortes en Inglete) | Ajuste los topes positivos. Ajuste la guía de inglete. |
| Es difícil girar la volante de ajuste de altura/bisel. | Los engranajes o el poste del tornillo dentro de la caja de la sierra están obstruidos con aserrín. | Limpie los engranajes o el poste del tornillo. |
| La sierra no se pone en marcha. | El cordón del motor o el cordón mural no está enchufado. Reemplace el fusible del circuito. El disyuntor está disparado. El cordón o el interruptor está dañado. | Enchufe el cordón del motor o el cordón mural. El fusible del circuito está quemado. Resposicione el disyuntor. Reemplace el cordón o el interruptor en un centro de servicio autorizado. |
| La hoja hace cortes deficientes. | La hoja hace cortes deficientes. La hoja es del tipo incorrecto para el corte que se está efectuando. La hoja está instalada al revés. | Limpie, afile o reemplace la hoja. Reemplace con el tipo correcto. Vuelva a instalar la hoja. |
| La hoja no desciende cuando se gira la volante de ajuste de altura/bisel. | La palanca de bloqueo no está en la posición máxima a la izquierda. | Mueva la palanca de bloqueo a la izquierda. |
| El motor trabaja mucho en los cortes al hilo. | La hoja no es adecuada para cortes al hilo de la madera. | Cambie la hoja; generalmente la hoja para cortes al hilo tiene menos dientes. |



OPERATOR'S MANUAL/10 in. TABLE SAW
MANUEL D'UTILISATION/SCIE À TABLE de 254 mm (10 po)
MANUAL DEL OPERADOR/SIERRA DE MESA de 254 mm (10 pulg.)

RTS10/RTS10G

To request service, purchase replacement parts,
locate an Authorized Service Center and obtain Customer or Technical Support:

Visit **www.ryobitools.com** or call **1-800-525-2579**

If any parts or accessories are damaged or missing,
do not return this product to the store. Call **1-800-525-2579** for immediate service.

Please obtain your model and serial number from the product data plate.
This product is covered under a 3-year limited Warranty. Proof of purchase is required.

MODEL NUMBER _____ SERIAL NUMBER _____

RYOBI is a registered trademark of Ryobi Limited and is used pursuant to a license granted by Ryobi Limited.

Pour faire une demande de réparations ou obtenir des pièces de rechange, trouver un
Centre de réparations agréé pour obtenir un soutien technique ou le Service à la clientèle :

Visiter **www.ryobitools.com** ou en téléphonant au **1-800-525-2579**

Si des pièces ou accessoires sont manquantes ou endommagées, ne pas retourner
ce produit au magasin. Appeler immédiatement au **1-800-525-2579** pour obtenir de l'aide.

Inscrire les numéros de modèle et de série inscrits sur la plaque d'identification du produit.
Ce produit est couvert par une garantie limitée de trois (3) ans. Une preuve d'achat est exigée.

NUMÉRO DE MODÈLE _____ NUMÉRO DE SÉRIE _____

RYOBI est une marque déposée de Ryobi Limited et est utilisée en vertu d'une licence accordée par Ryobi Limited.

Para obtener servicio, comprar piezas de repuesto, localizar un centro de servicio autorizado
y obtener Servicio o Asistencia Técnica al Consumidor:

Visite **www.ryobitools.com** o llame al **1-800-525-2579**

Si hay alguna pieza ou accesorios dañada o faltante, no devuelva este producto a la tienda.
Llame al **1-800-525-2579** para servicio técnico inmediato.

Obtenga su modelo y número de serie de la placa de datos del producto.
Este producto está cubierto con una garantía limitada de 3 años. Se solicita prueba de la compra.

NÚMERO DE MODELO _____ NÚMERO DE SERIE _____

RYOBI es una marca registrada de Ryobi Limited y se utiliza conforme a una licencia otorgada por Ryobi Limited.

ONE WORLD TECHNOLOGIES, INC.

1428 Pearman Dairy Road, Anderson, SC 29625 • Phone 1-800-525-2579
États-Unis, Téléphone 1-800-525-2579 • USA, Teléfono 1-800-525-2579

www.ryobitools.com