

Makita Finishing Sander

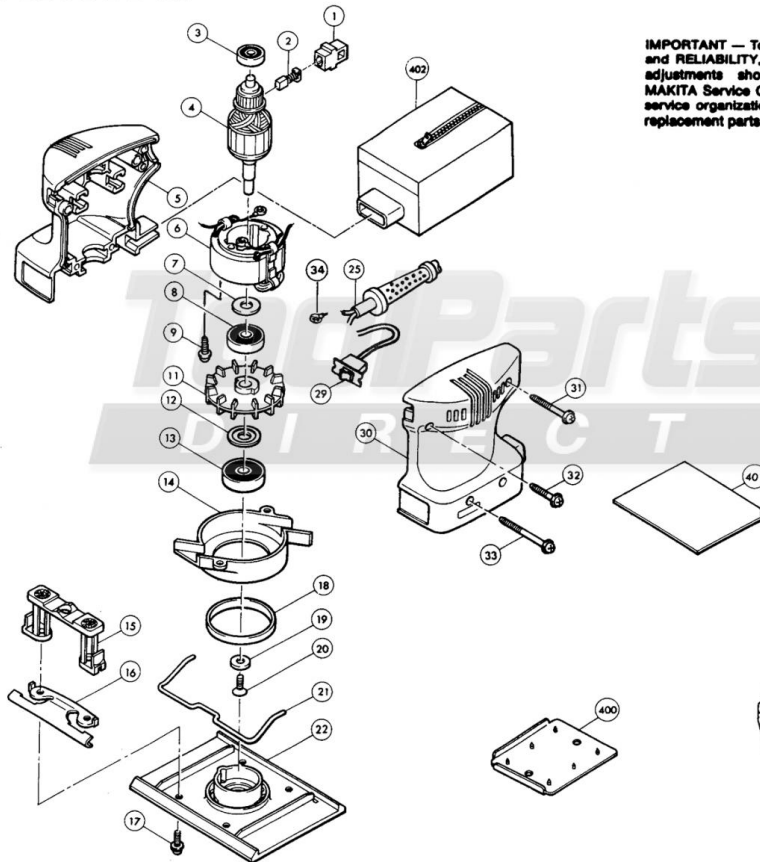
Part #: BO4550



FINISHING SANDER

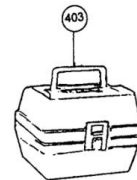
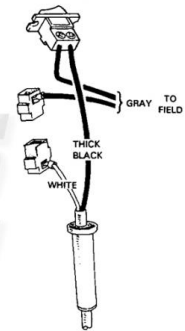
Model BO4550

Model BO4550Z



IMPORTANT — To assure product **SAFETY** and **RELIABILITY**, repairs, maintenance or adjustments should be performed by **MAKITA** Service Centers or other qualified service organizations. Always use **MAKITA** replacement parts.

WIRING DIAGRAM





7820 L St., Omaha, NE 68127

Toll-Free: 888.358.0332

Fax: 402.408.2352

Email: sales@toolbarn.com

Web: www.toolbarn.com

Makita Finishing Sander

Part #: BO4550

Ref	Model	Product Name	Qty
1	643552-4	BRUSH HOLDER, BO5012K	2
2	CB75	CARBON BRUSH SET, 194971-2 (Replaces: 191956-9)	2
3	211016-2	B. BEARING 626LLB, DS4011	1
4	611566-1	ARMATURE, BO4550 *** OBSOLETE ***	1
5	182902-3	HOUSING SET, BO4562 (Replaces: 181952-5)	1
6	639302-3	FIELD, BO4550, T1 *** OBSOLETE ***	1
7	253214-2	FLAT WASHER 9, 9607BL	1
8	211092-6	B. BEARING 629DDW, BO4556	1
9	265871-4	TAPPING SCREW BT4X16, BO4551	2
11	241658-8	FAN 63, BO4551 ***obsolete, no replacement*** (Replaces: 241647-3)	1
12	213051-6	DUST SEAL 10, 2711	1
13	211066-7	B. BEARING 6200LLB, BO4552	1
14	410752-9	BAFFLE PLATE, BO4550	1
15	410918-1	FOOT (Replaces: 411343-9)	2
15	410918-1	FOOT	2
16	342986-5	CLAMPER, BO4550	2
17	251364-7	PAN HEAD SCREW M4X14, BO4550	4
18	262512-3	RUBBER SLEEVE 48, BO4550	1
19	253825-3	FLAT WASHER 6, BO4510	1
20	912117-6	C.SOCKET HEAD SCREW M4X12, BO4556	1
21	321869-2	LEVER, BO4550	2
22	151427-8	SANDER PAD-FELT (INCLUDES FELT & BACKING PLATE) BO4552 ***obsolete, no replacement***	1
25	664064-4	CORD (2X18X8 SJ), BO4556 (Replaces: 664425-8)	1
29	651527-9	SWITCH, BO4556K (Replaces: 651513-0)	1
31	265876-4	TAPPING SCREW BT4X40, BO5001	1



7820 L St., Omaha, NE 68127

Toll-Free: 888.358.0332

Fax: 402.408.2352

Email: sales@toolbarn.com

Web: www.toolbarn.com

Makita Finishing Sander

Part #: BO4550

Ref	Model	Product Name	Qty
32	265875-6	TAPPING SCREW BT4X25, N1900B	1
33	265872-2	TAPPING SCREW BT4X50, BO4550	2
34	654078-1	TERMINAL RING, BO4550	1
400	163247-8	PUNCH PLATE (ACC) *** Obsolete, No Replacement ***	1
401	7425108-5	4-1/2" X 5-1/2" SANDPAPER, 100-GRIT (5-PK) (Replaces: 742510-8)	1
401	742511-6	4-1/2" x 5-1/2" ABRASIVE PAPER 150 GRIT (ACCESSORY) *** Obsolete, No Replacement ***	1
401	742509-3	4-1/2 X 5-1/2 ABRASIVE PAPER, 60 GRIT, 10/PK	1
402	166027-1	DUST BAG, BO4550	1
403	824427-8	PLASTIC TOOL CASE (ACC) *** Obsolete, No Replacement ***	1