

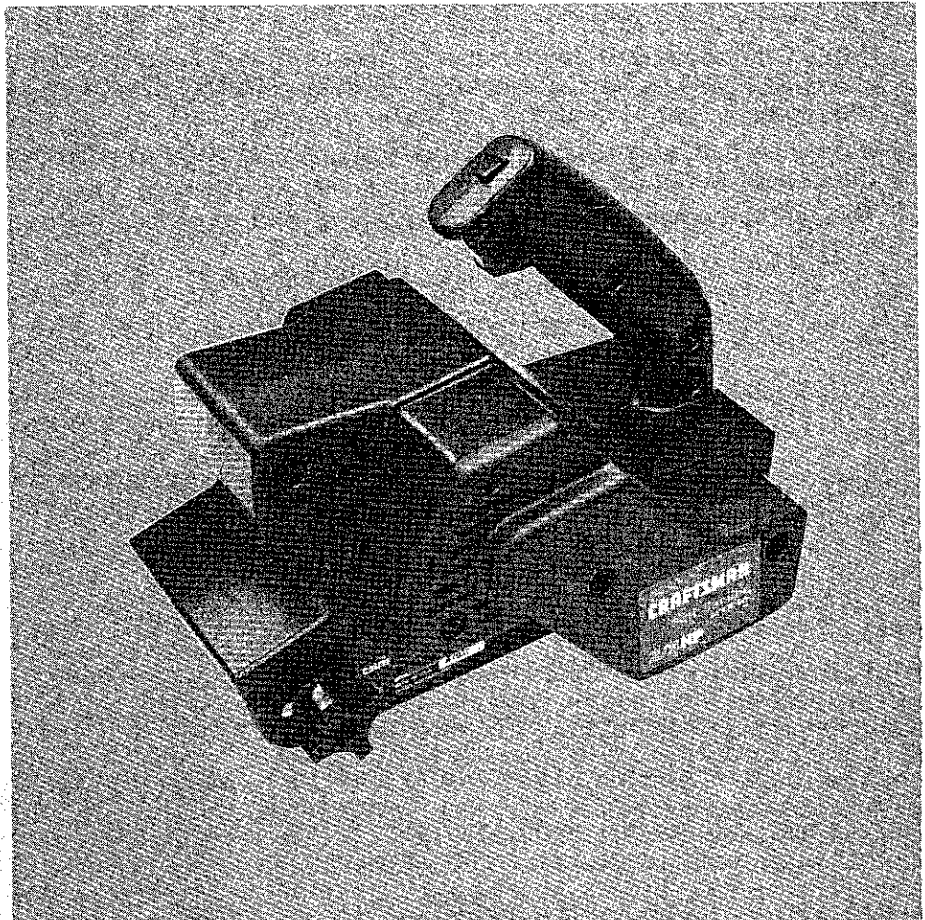
SEARS

OWNERS
MANUAL

MODEL NO.
315.117111

CAUTION:
Read Rules for
Safe Operation
and Instructions
Carefully

SAVE THIS
MANUAL FOR
FUTURE REFERENCE



CRAFTSMAN®

2-1/2-INCH BELT SANDER

DOUBLE INSULATED

Introduction
Operation
Maintenance
Repair Parts



Designed exclusively for and sold only by
SEARS, ROEBUCK AND CO., Dept. 698/731A, Sears Tower, Chicago, IL 60684

FULL ONE YEAR WARRANTY ON CRAFTSMAN BELT SANDER

If this Craftsman Belt Sander fails to give complete satisfaction within one year from the date of purchase **RETURN IT TO THE NEAREST SEARS STORE THROUGHOUT THE UNITED STATES** and Sears will repair it, free of charge.

If this belt sander is used for commercial or rental purposes this warranty applies for only 90 days from the date of purchase.

This warranty gives you specific legal rights, and you may also have other rights which vary from state to state.

SEARS, ROEBUCK AND CO.
DEPT. 698/731A
SEARS TOWER
CHICAGO, IL 60684

INTRODUCTION

GENERAL — Your Craftsman 2-1/2-Inch Belt Sander is suitable for coarse, medium and fine sanding of wood, plastics and other materials. It is ideal when used for smoothing rough boards, chamfering, rounding edges and many other general sanding applications. Its balanced design makes it easy to use.

DOUBLE INSULATION — Double insulation is a concept in safety, in electric power tools, which eliminates the need for the usual three wire grounded power cord and grounded supply system. Wherever there is electric current in the tool there are two complete sets of insulation to protect the user. All exposed metal parts are isolated from the internal metal motor components with protecting insulation.

IMPORTANT — Servicing of a tool with double insulation requires extreme care and knowledge of the system and should be performed only by a qualified service technician. For service, return the tool to your nearest Sears store for repair which will be done with original factory replacement parts.

▲ WARNING: KEEP HANDS AND FINGERS AWAY FROM MOVING SANDING BELT. ANY PART OF BODY COMING IN CONTACT WITH MOVING BELT COULD RESULT IN SERIOUS INJURY. KEEP HEAD AWAY FROM SANDER AND SANDING AREA. HAIR COULD GET CAUGHT IN MOVING PARTS AND FOREIGN OBJECTS COULD GET THROWN AWAY FROM SANDER CAUSING INJURY.

▲ WARNING: DO NOT ATTEMPT TO OPERATE THIS TOOL UNTIL YOU HAVE READ THOROUGHLY AND UNDERSTAND COMPLETELY ALL INSTRUCTIONS, SAFETY RULES, ETC. CONTAINED IN THIS MANUAL. FAILURE TO COMPLY CAN RESULT IN ACCIDENTS INVOLVING FIRE, ELECTRIC SHOCK, OR SERIOUS PERSONAL INJURY. SAVE OWNER'S MANUAL AND REVIEW FREQUENTLY FOR CONTINUING SAFE OPERATION, AND INSTRUCTING POSSIBLE THIRD-PARTY USER.

RULES FOR SAFE OPERATION READ ALL INSTRUCTIONS

1. **KNOW YOUR POWER TOOL** — Read owner's manual carefully. Learn its applications and limitations as well as the specific potential hazards related to this tool.
2. **GUARD AGAINST ELECTRICAL SHOCK BY PREVENTING BODY CONTACT WITH GROUNDED SURFACES.** For example: Pipes, radiators, ranges, refrigerator enclosures.
3. **KEEP GUARDS IN PLACE** and in working order.
4. **KEEP WORK AREA CLEAN.** Cluttered areas and benches invite accidents.
5. **AVOID DANGEROUS ENVIRONMENT.** Don't use power tool in damp or wet locations or expose to rain. Keep work area well lit.
6. **KEEP CHILDREN AWAY.** All visitors should wear safety glasses and be kept a safe distance from work area. Do not let visitors contact tool or extension cord.
7. **STORE IDLE TOOLS.** When not in use, tools should be stored in a dry, high or locked-up place — out of the reach of children.
8. **DON'T FORCE TOOL.** It will do the job better and safer at the rate for which it was designed.
9. **USE RIGHT TOOL.** Don't force small tool or attachment to do the job of a heavy duty tool. Don't use tool for purpose not intended — for example — Don't use a circular saw for cutting tree limbs or logs.
10. **WEAR PROPER APPAREL.** No loose clothing or jewelry to get caught in moving parts. Rubber gloves and footwear are recommended when working outdoors. Also, wear protective hair covering to contain long hair.

RULES FOR SAFE OPERATION (Continued)

11. **USE SAFETY GLASSES** with all tools. Also face or dust mask if sanding operation is dusty.
12. **DON'T ABUSE CORD.** Never carry tool by cord or yank it to disconnect from receptacle. Keep cord from heat, oil, and sharp edges.
13. **SECURE WORK.** Use clamps or a vise to hold work. It's safer than using your hand and it frees both hands to operate tool.
14. **DON'T OVERREACH.** Keep proper footing and balance at all times. Do not use on a ladder or unstable support.
15. **MAINTAIN TOOLS WITH CARE.** Keep tools sharp at all times, and clean for best and safest performance. Follow instructions for lubricating and changing accessories.
16. **DISCONNECT TOOLS.** When not in use, before servicing, or when changing attachments, blades, bits, cutters, sandpaper, etc., all tools should be disconnected from power supply.
17. **REMOVE ADJUSTING KEYS AND WRENCHES.** Form habit of checking to see that keys and adjusting wrenches are removed from tool before turning it on.
18. **AVOID ACCIDENTAL STARTING.** Don't carry plugged-in tools with finger on switch. Be sure switch is off when plugging in.
19. **OUTDOOR USE EXTENSION CORDS.** When tool is used outdoors, use only extension cords suitable for use outdoors. Outdoor approved cords are marked with the suffix W-A, for example — SJTW-A or SJOW-A.
20. **NEVER USE THIS OR ANY POWER SANDER FOR WET SANDING.** Failure to comply can result in electrical shock causing serious injury or worse.
21. **KEEP HANDS AWAY FROM SANDING AREA.**
22. **NEVER USE IN AN EXPLOSIVE ATMOSPHERE.** Normal sparking of the motor could ignite fumes.
23. **INSPECT TOOL CORDS PERIODICALLY,** and if damaged, have repaired at your nearest Sears Repair Center. Stay constantly aware of cord location.
24. **INSPECT EXTENSION CORDS PERIODICALLY** and replace if damaged.
25. **KEEP HANDLES DRY, CLEAN, AND FREE FROM OIL AND GREASE.** Always use a clean cloth when cleaning. Never use brake fluid, gasoline, petroleum-based products, or any strong solvents to clean your tool.
26. **STAY ALERT.** Watch what you are doing and use common sense. Do not operate tool when you are tired. Do not rush.
27. **CHECK DAMAGED PARTS.** Before further use of the tool, a guard or other part that is damaged should be carefully checked to determine that it will operate properly and perform its intended function. Check for alignment of moving parts, binding of moving parts, breakage of parts, mounting, and any other conditions that may affect its operation. A guard or other part that is damaged should be properly repaired or replaced by an authorized service center.
28. **DO NOT USE TOOL IF SWITCH DOES NOT TURN IT ON AND OFF.** Have defective switches replaced by authorized service center.
29. Inspect for and remove all nails from lumber before sanding.
30. **DRUGS, ALCOHOL, MEDICATION.** Do not operate tool while under the influence of drugs, alcohol, or any medication.
31. **SAVE THESE INSTRUCTIONS.** Refer to them frequently and use them to instruct third party user. If you loan someone this tool, loan them these instructions also.

CAUTION



The operation of any sander can result in foreign objects being thrown into the eyes, which can result in severe eye damage. Always wear safety glasses or eye shields before commencing power tool operation. We recommend Wide Vision Safety Mask for use over spectacles or standard safety glasses, available at Sears Catalog Order or Retail Stores.

OPERATION

⚠ WARNING: YOUR SANDER SHOULD NEVER BE CONNECTED TO POWER SUPPLY WHEN YOU ARE ASSEMBLING PARTS, CHANGING BELTS, OR MAKING ADJUSTMENTS.

If any parts are missing do not operate your Sander until the missing parts are replaced.

Make sure power supply is 110-120 volts, 60 Hz, AC only.

Before attempting to use your Sander, familiarize yourself with all operating features (See Fig. 1) and safety requirements.

⚠ WARNING: DO NOT ALLOW FAMILIARITY WITH YOUR SANDER TO MAKE YOU CARELESS. REMEMBER THAT A CARELESS FRACTION OF A SECOND IS SUFFICIENT TO INFLICT SEVERE INJURY.

SWITCH

The switch of your sander is equipped with a "lock-on" feature which is convenient when sanding for extended periods of time. To lock-on, simply depress the trigger of the switch, push down on the lock button located on top of the rear handle, then while holding the lock button pushed down, release the trigger. See Figure 2. To release the lock, depress the trigger and release it.

⚠ WARNING: BEFORE CONNECTING YOUR SANDER TO POWER SUPPLY SOURCE, ALWAYS CHECK TO BE SURE IT IS NOT IN "LOCK-ON" POSITION. FAILURE TO DO SO COULD RESULT IN ACCIDENTAL STARTING OF YOUR SANDER RESULTING IN POSSIBLE SERIOUS INJURY. ALSO, DO NOT LOCK THE TRIGGER ON JOBS WHERE YOUR SANDER MAY NEED TO BE STOPPED SUDDENLY.

If you have the "Lock-On" feature engaged during use and your Sander becomes disconnected from Power Supply, disengage the "Lock-On" feature immediately.

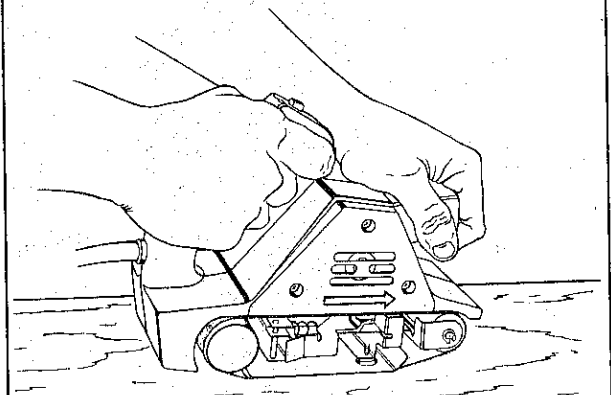
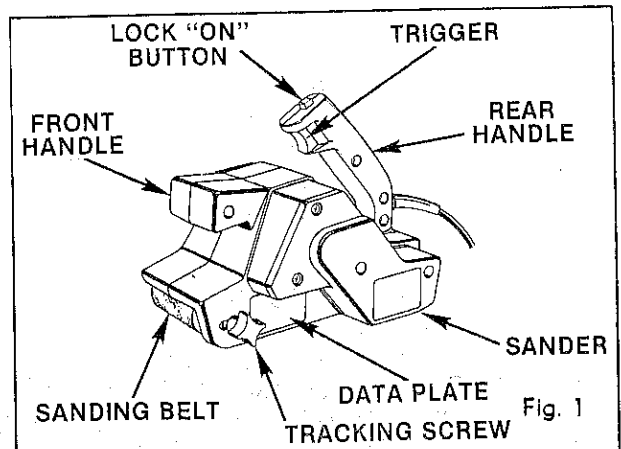
PREPARING FOR OPERATION

For ease of operation and maintaining proper control, your Sander has a front handle and a rear handle. These handles allow two-hand operation which aid in maintaining control, keeping sanding area level with workpiece, and keeping hands clear of sanding belt. When operating your Sander always hold the front handle with your left hand and the rear handle with your right hand as shown in Fig. 2.

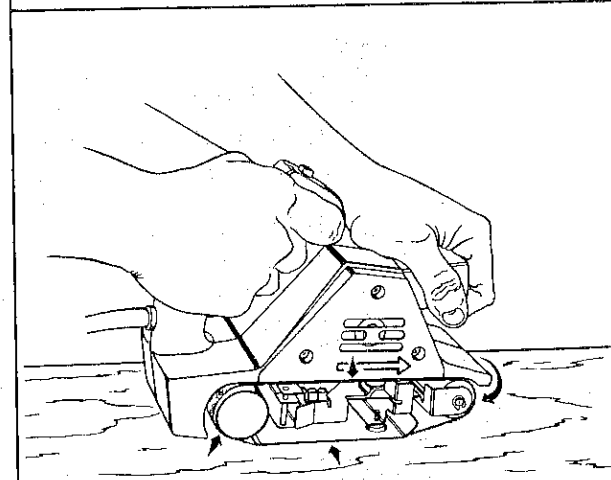
⚠ WARNING: KEEP HANDS AND FINGERS CLEAR OF MOVING SANDING BELT, FRONT IDLER PULLEY AND DRIVE ROLLER ASSEMBLY. FAILURE TO DO SO WILL RESULT IN THE SANDING OF YOUR HANDS OR FINGERS. See Fig. 3.

⚠ WARNING: DO NOT LET YOUR FINGERS REST OVER THE FRONT OR RIGHT EDGE OF THE SANDER. IF THE SANDING BELT WERE TO RUN OFF, OR IF IT WERE NOT PROPERLY ADJUSTED, YOUR FINGERS COULD COME IN CONTACT WITH THE MOVING SANDING BELT RESULTING IN POSSIBLE SERIOUS INJURY.

Always operate your Sander as shown in Fig. 2.



CORRECT



KEEP HANDS AND FINGERS AWAY FROM THESE AREAS AT ALL TIMES

OPERATION (Cont.)

Selecting the correct size and type sanding belt is an important step in achieving a high quality sanded finish. Standard 2-1/2 inch x 16 inch sanding belts made of aluminum oxide, silicon carbide, and other synthetic abrasives are best for power sanding. In general, coarse grit will remove the most material and finer grit will produce best finish in all sanding operations. The condition of the surface to be sanded will determine which grit belt will do the job. If the surface is rough, start with a coarse grit belt sanding until surface is uniform. Medium grit belt may then be used to remove scratches left by the coarser belt and finer grit belt for finishing of the surface. Always continue sanding with each grit belt until surface is uniform.

▲ WARNING: ALWAYS WEAR SAFETY GLASSES OR EYESHIELDS WHEN OPERATING YOUR SANDER. FAILURE TO DO SO COULD RESULT IN OBJECTS BEING THROWN INTO YOUR EYES, RESULTING IN POSSIBLE SERIOUS INJURY. IF THE SANDING OPERATION IS DUSTY, ALSO WEAR A FACE OR DUST MASK.

INSTALLING AND ADJUSTING SANDING BELT

DISCONNECT SANDER FROM POWER SUPPLY WHILE ASSEMBLING PARTS OR MAKING ADJUSTMENTS.

To release the sanding belt, lift tension release lever straight up as shown in figure 4. When sufficient force is exerted, the spring will be compressed allowing the pulley to lock in a rear position. This frees the sanding belt so it can be removed. Install new belt making sure arrow inside of belt is pointing in the direction of rotation, which is clockwise when looking into open side of sander. See Fig. 5. Roughly align the belt to its correct position, then release tension on pulley. Release tension by lowering tension release lever as shown in Figure 6. The pulley will snap back into operating position.

▲ WARNING: KEEP HANDS AND FINGERS CLEAR OF FRONT IDLER PULLEY AND SPRING MECHANISM AT ALL TIMES. FAILURE TO DO SO COULD RESULT IN THEM GETTING PINCHED, RESULTING IN POSSIBLE SERIOUS INJURY.

LIFT TENSION RELEASE LEVER TO REMOVE SANDING BELT

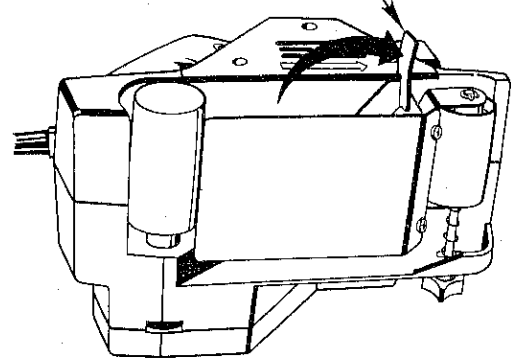


Fig. 4

SANDING BELT

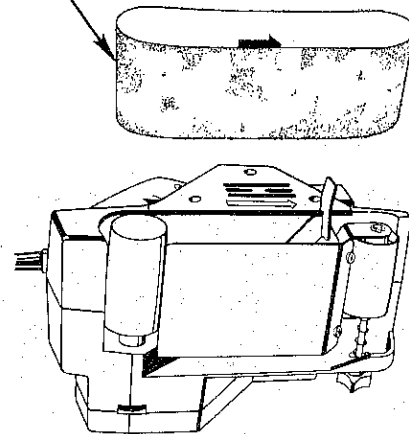


Fig. 5

LOWER TENSION RELEASE LEVER TO SECURE SANDING BELT

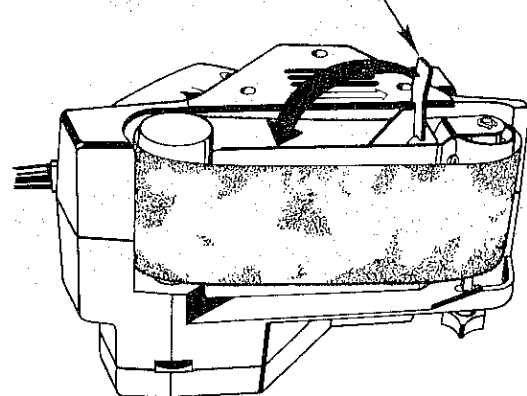


Fig. 6

OPERATION (Cont'd.)

ALWAYS WEAR SAFETY GLASSES OR EYESHIELDS WHEN OPERATING YOUR SANDER.

BE SURE SANDER IS NOT IN "LOCK-ON" POSITION BEFORE CONNECTING TO POWER SUPPLY.

To adjust sanding belt, connect Sander to power supply. Position your Sander on workbench as shown in Figure 7. NOTE: This position is for adjustments only. The Sander is not in an operating position. Pull switch trigger and release immediately. Observe tracking of sanding belt. If the sanding belt runs inward, turn the tracking screw counter-clockwise. If the sanding belt runs outward, turn the tracking screw clockwise. This should be done until you are sure belt will not run off sander, or come in contact with internal parts. After installing a new sanding belt, it may become necessary to change the adjustment several times until the belt becomes pliable.

▲ WARNING: IF SANDING BELT BEGINS TO WEAR EXCESSIVELY ON THE INNER EDGE, RE-ADJUST TRACKING SCREW. IT IS ADJUSTED TOO FAR INWARD AND THE SANDING BELT IS RUBBING AGAINST INTERNAL PARTS.

When you are sure the belt will not rub against internal parts, start your Sander and fine adjust the tracking screw until the belt stabilizes.

When correctly adjusted, the outer edge of the belt will be even with the outer edge of the base of your Sander. Belt life will be greatly increased if a few seconds are spent adjusting the belt tracking.

▲ WARNING: DO NOT WEAR LOOSE CLOTHING OR JEWELRY WHEN OPERATING SANDER. THEY COULD GET CAUGHT IN MOVING PARTS CAUSING INJURY. KEEP HEAD AWAY FROM SANDER AND SANDING AREA. HAIR COULD BE DRAWN INTO SANDER CAUSING INJURY.

TO OPERATE

Clamp or otherwise secure the work to prevent it from moving under your Sander. **▲ WARNING: UN-SECURED WORK COULD BE THROWN BACK TOWARD OPERATOR CAUSING INJURY.** Before placing Sander on work surface, squeeze the trigger switch and let the motor reach its maximum speed, then lower your Sander to the work surface with a slight forward motion. Using the rear handle to control your Sander and the front handle only to guide it, move it slowly over the work. See Fig. 8. Allowing your Sander to remain in one place will result in an uneven surface.

▲ WARNING: KEEP A FIRM GRIP ON SANDER WITH BOTH HANDS AT ALL TIMES. FAILURE TO DO SO COULD RESULT IN LOSS OF CONTROL LEADING TO POSSIBLE SERIOUS INJURY.

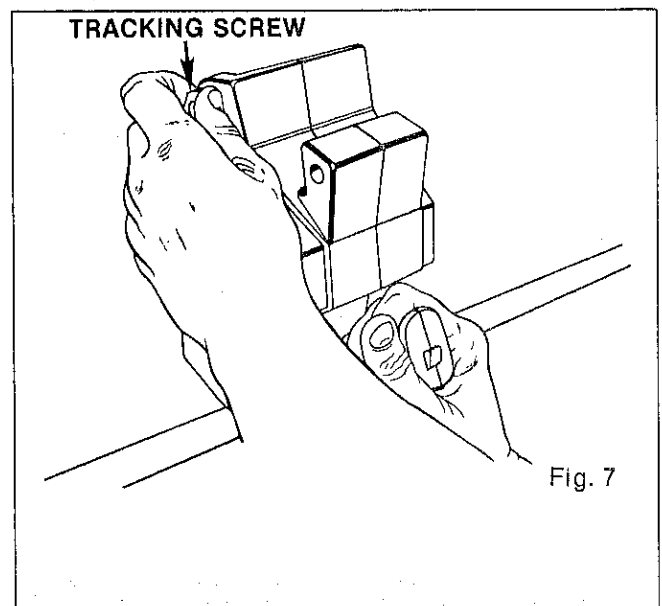


Fig. 7

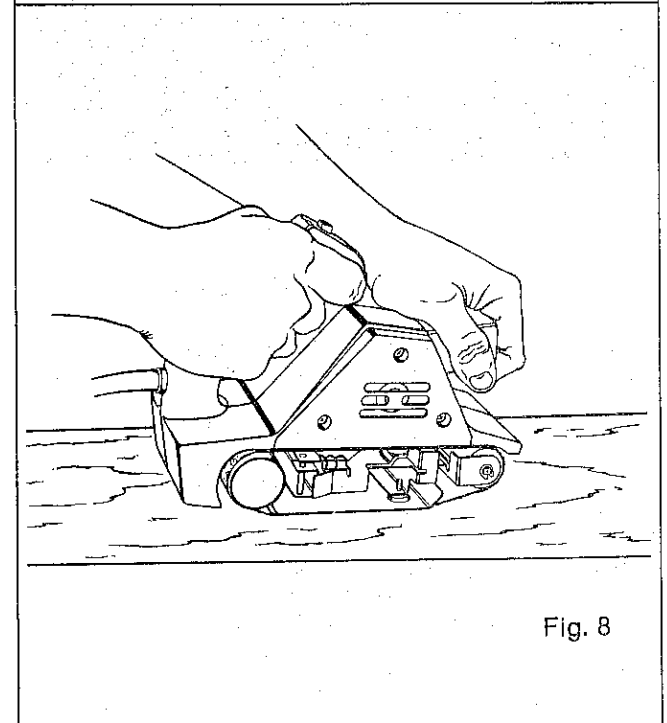


Fig. 8

Your Sander was designed to provide the proper weight on the sanding belt. Extra pressure will result in uneven work, clogged belts, and possible motor burnout. NOTE: The front roller of your sander was not designed for contour sanding. Sanding on the front roller could cause irregularity in sanding belt tracking.

Use a coarse belt when heavy cutting is desired, not heavy pressure. The importance of this cannot be over-emphasized. Weight has been built into the tool to give adequate pressure. Therefore, let the sandpaper and Sander do the work.

MAINTENANCE

WHEN SERVICING USE ONLY IDENTICAL REPLACEMENT PARTS.

TIMING BELT REPLACEMENT

DISCONNECT SANDER FROM POWER SUPPLY BEFORE SERVICING.

WHEN REPLACING TIMING BELT, USE REPLACEMENT BELT NUMBER 999282-001 ONLY.

1. Remove sanding belt from sander. See installing and adjusting sanding belt, Page 5. **NOTE: REMOVING THE SANDING BELT WILL SIMPLIFY THE PROCESS OF INSTALLING YOUR NEW TIMING BELT.**
2. Remove the four belt cover screws. Then remove the belt cover.
3. Force old belt from small pulley with a screwdriver and remove it from large pulley. If it is worn out, simply cut the old belt and remove it.
4. Install new belt over large pulley first. See Figure 9.
5. Holding the belt as shown in Figure 10, press the belt onto the small pulley. **NOTE: TO SIMPLIFY THE PROCESS, TURN THE LARGE PULLEY AS YOU PRESS THE BELT ONTO THE SMALL PULLEY.**
6. Reassemble belt cover and screws. Tighten screws securely.

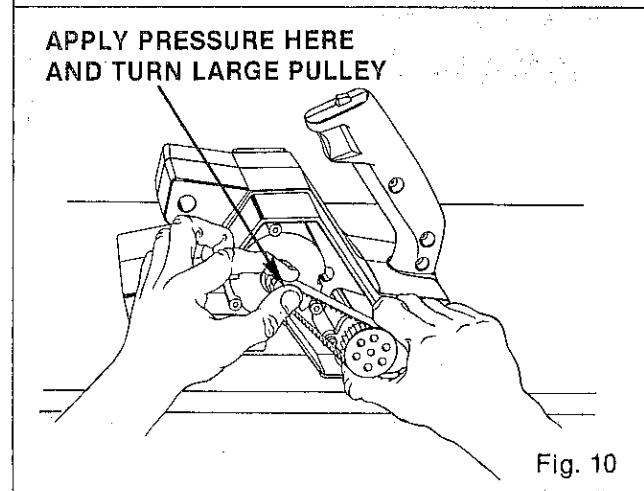
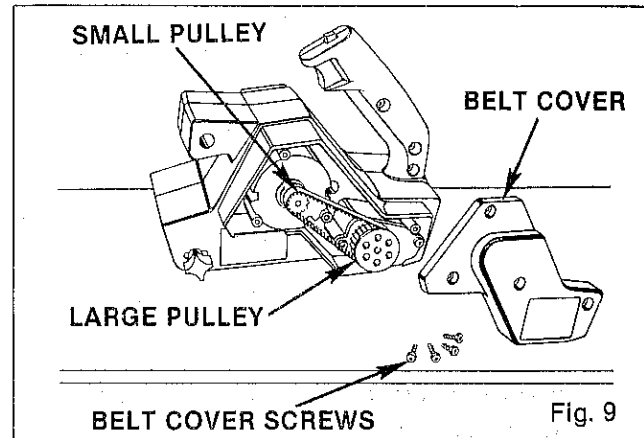
CAUTION: BELT COVER IS PART OF THE DOUBLE INSULATED SYSTEM. NEVER ATTEMPT TO OPERATE YOUR BELT SANDER WITHOUT BELT COVER IN PLACE.

GENERAL

Only the parts shown on parts list, page eleven, are intended to be repaired or replaced by the customer. All other parts represent an important part of the double insulation system and should be serviced only by a qualified service technician.

Avoid using solvents when cleaning plastic parts. Most plastics are susceptible to various types of commercial solvents and may be damaged by their use. Use clean cloths to remove dirt, carbon dust, etc.

WARNING: DO NOT AT ANY TIME LET BRAKE FLUIDS, GASOLINE, PETROLEUM-BASED PRODUCTS, PENETRATING OILS, ETC. COME IN CONTACT WITH PLASTIC PARTS. THEY CONTAIN CHEMICALS THAT CAN DAMAGE, WEAKEN, OR DESTROY PLASTIC.



When electric tools are used on fiberglass boats, sports cars, etc., it has been found that they are subject to accelerated wear and possible premature failure, as the fiberglass chips and grindings are highly abrasive to bearings, brushes, commutator, etc. Consequently it is not recommended that this tool be used for extended work on any fiberglass material. During any use on fiberglass it is extremely important that the tool is cleaned frequently by blowing with an air jet. **ALWAYS WEAR SAFETY GLASSES, DUST MASK, OR EYE SHIELDS BEFORE BEGINNING POWER TOOL OPERATION OR BLOWING DUST.**

LUBRICATION

All the bearings in this tool are lubricated with a sufficient amount of high grade lubricant for the life of the unit under normal operating conditions, therefore no further lubrication is required.

EXTENSION CORDS

The use of any extension cord will cause some loss of power. To keep the loss to a minimum and to prevent tool overheating, follow the recommended cord sizes on the chart at right. When tool is used outdoors, use only extension cords suitable for outdoor use and so marked. Extension cords are available at Sears Catalog Order or Retail Stores.

Extension Cord Length	Wire Size A.W.G.
25-50 Ft.	18
50-100 FT.	16

▲ WARNING: CHECK EXTENSION CORDS BEFORE EACH USE. IF DAMAGED, REPLACE IMMEDIATELY. NEVER USE TOOL WITH A DAMAGED CORD SINCE TOUCHING THE DAMAGED AREA COULD CAUSE ELECTRICAL SHOCK RESULTING IN SERIOUS INJURY.

THE FOLLOWING RECOMMENDED ACCESSORIES ARE CURRENT AND WERE AVAILABLE AT THE TIME THIS MANUAL WAS PRINTED.

CORD LOCK
Cat. No. 9 2595

CARRYING CASE
Cat. No. 9 14703

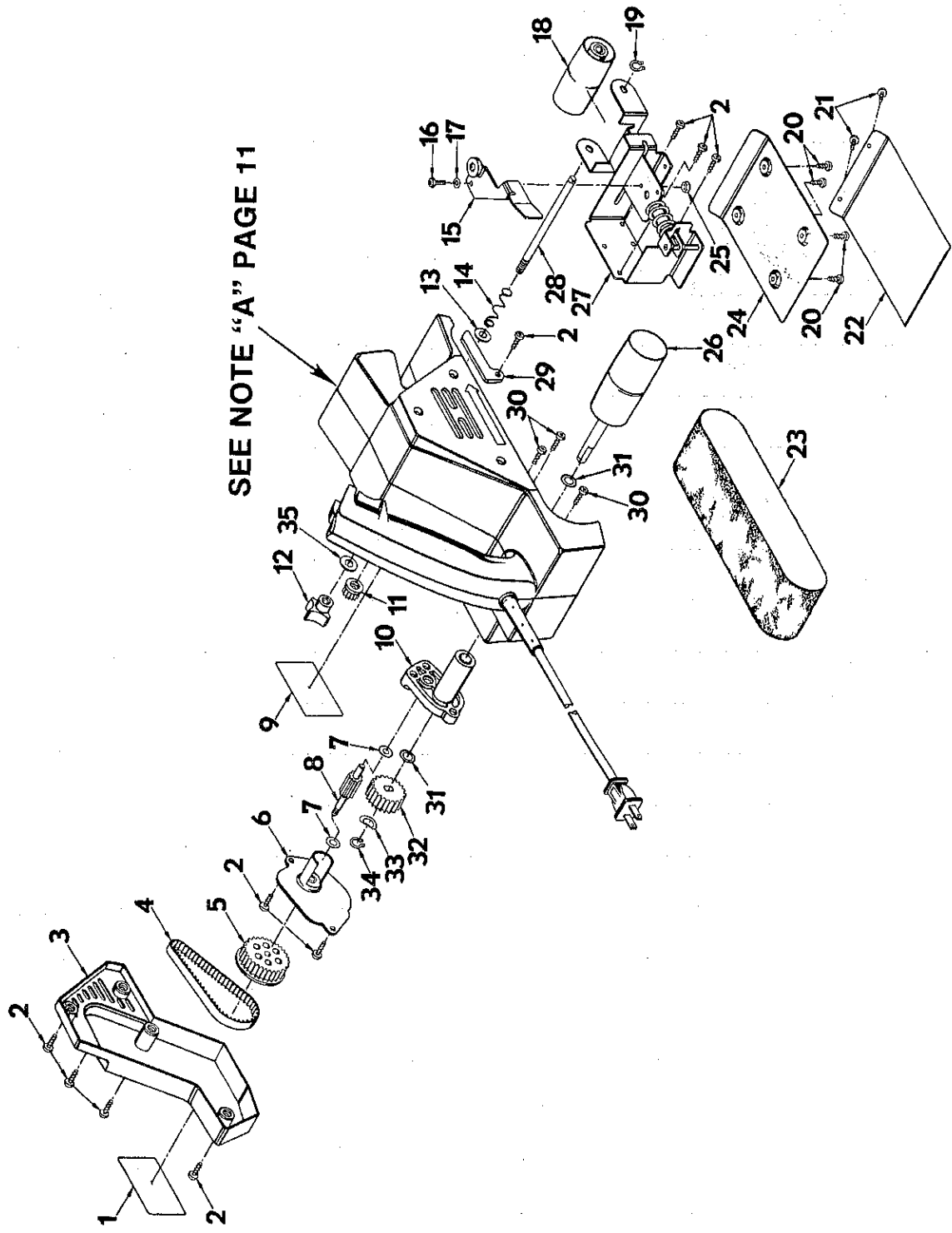
CLOTH BACKED SANDING BELTS
Cat. No. 9 22396-X-Fine
Cat. No. 9 22397-Fine
Cat. No. 9 22398-Medium
Cat. No. 9 22399-Coarse



▲ CAUTION: The use of attachments or accessories not listed above might be hazardous.

NOTES

CRAFTSMAN 2-1/2-INCH BELT SANDER — MODEL NUMBER 315.117111



FOR PARTS LIST — SEE PAGE 11

CRAFTSMAN 2-1/2-INCH BELT SANDER — MODEL NUMBER 315.117111

The Model Number will be found on a plate attached to the side of your Sander. Always mention the Model Number in all correspondence regarding your CRAFTSMAN SANDER or when ordering repair parts.

SEE BACK PAGE FOR PARTS ORDERING INSTRUCTIONS

PARTS LIST

Key No.	Part Number	Description	Quan.	KEY NO.	PART NUMBER	DESCRIPTION	QUAN.
1	999310-001	Logo Plate.....	1	19	989177-000	Retaining Ring.....	1
2	617966-007	*Screw (#8-10 x 1/2" Pan Hd.).....	10	20	616081-019	*Screw (#8-18 x 5/16" Pan Hd. T.C.)... .	4
3	999273-001	Belt Cover.....	1	21	616968-002	*Screw (#6-20 x 1/4" Pan Hd. T.C.)... .	2
4	999282-001	Timing Belt.....	1	22	999304-001	Wear Plate.....	1
5	999281-001	Driven Pulley.....	1	23	***	Sanding Belt (2-1/2" x 16")	
6	999275-002	Gear Cover W/Bearing.....	1	24	998484-002	Platen.....	1
7	931744-814	Washer.....	2	25	607002-002	Hex Nut.....	1
8	999278-002	Pinion.....	1	26	998475-001	Drive Roller W/Shaft.....	1
9	967287-001	Data Plate.....	1	27	998480-001	Support Bracket Assembly (Includes Key No. 15).....	1
10	999274-003	Bearing Block W/Bearings.....	1	28	998495-002	Idle Roller Shaft.....	1
11	999280-001	Drive Pulley.....	1	29	998481-002	Wear Strip.....	1
12	998486-001	Tracking Knob.....	1	30	610122-004	*Screw (#8-32 x 3/4" Pan Hd. T.C.)... .	3
13	931744-006	Washer **STD551225.....	1	31	706382-807	Washer.....	2
14	998485-001	Spring.....	1	32	998476-001	Gear.....	1
15	998498-001	Release Lever Assembly.....	1	33	622347-008	Washer.....	1
16	999923-001	*Screw (#10-32 x 1/2" Pan Hd.).....	1	34	622167-014	Retaining Ring.....	1
17	622347-001	Spring Washer.....	1	35	967107-001	Washer.....	1
18	998492-002	Idle Roller W/Bearings.....	1		612547-498	Owner's Manual	

NOTE: "A" — THE ASSEMBLY SHOWN REPRESENTS AN IMPORTANT PART OF THE DOUBLE INSULATED SYSTEM. TO AVOID THE POSSIBILITY OF ALTERATION OR DAMAGE TO THE SYSTEM, SERVICE SHOULD BE PERFORMED BY YOUR NEAREST SEARS REPAIR CENTER. CONTACT YOUR NEAREST CATALOG ORDER OR RETAIL STORE.

*STANDARD HARDWARE ITEM — MAY BE PURCHASED LOCALLY
**AVAILABLE FROM DIV. 98 — SOURCE 980.00

***SANDING BELTS IN ASSORTED GRITS FOR SANDING BOTH WOOD AND METAL MAY BE OBTAINED FROM YOUR NEAREST SEARS CATALOG ORDER OR RETAIL STORE.

SEARS

OWNERS
MANUAL

SERVICE

MODEL NO.
315.117111

HOW TO ORDER
REPAIR PARTS

CRAFTSMAN®

2-1/2-INCH BELT SANDER

DOUBLE INSULATED

Now that you have purchased your Belt Sander, should a need ever exist for repair parts or service, simply contact any Sears Service Center and most Sears, Roebuck and Co. stores. Be sure to provide all pertinent facts when you call or visit.

The model number of your Belt Sander will be found on the plate located on side of your sander.

WHEN ORDERING REPAIR PARTS, ALWAYS GIVE THE FOLLOWING INFORMATION:

- PART NUMBER
- PART DESCRIPTION
- MODEL NUMBER
315.117111
- NAME OF ITEM
2-1/2" Belt Sander

All parts listed may be ordered from any Sears Service Center and most Sears stores.

If the parts you need are not stocked locally, your order will be electronically transmitted to a Sears Repair Parts Distribution Center for handling.

SEARS, ROEBUCK AND CO., Dept. 698/731A, Sears Tower, Chicago, IL 60684