



OPERATOR'S MANUAL

MANUEL D'UTILISATION

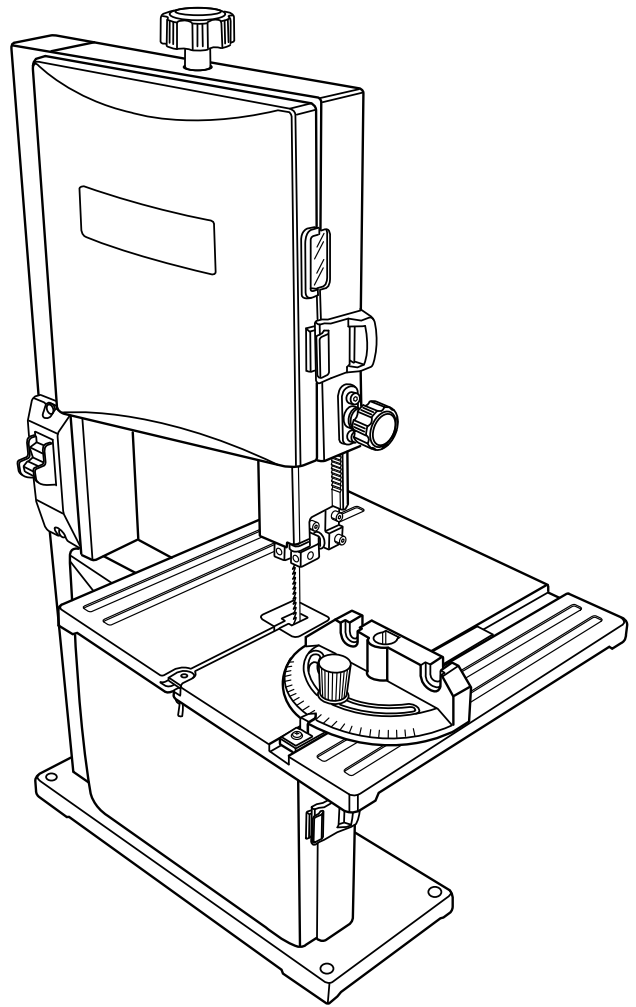
MANUAL DEL OPERADOR

9 in. BAND SAW

SCIE À RUBAN de 229 mm (9 po)

SIERRA SIN FIN de 229 mm (9 pulg.)

BS904/BS904G



Your band saw has been engineered and manufactured to our high standard for dependability, ease of operation, and operator safety. When properly cared for, it will give you years of rugged, trouble-free performance.

⚠ WARNING: To reduce the risk of injury, the user must read and understand the operator's manual before using this product.

SAVE THIS MANUAL FOR FUTURE REFERENCE

Cette scie à ruban a été conçue et fabriquée conformément à nos strictes normes de fiabilité, simplicité d'emploi et sécurité d'utilisation. Correctement entretenue, elle vous donnera des années de fonctionnement robuste et sans problème.

⚠ AVERTISSEMENT : Pour réduire les risques de blessures, l'utilisateur doit lire et veiller à bien comprendre le manuel d'utilisation avant d'employer ce produit.

Su sierra sin fin ha sido diseñada y fabricada de conformidad con las estrictas normas para brindar fiabilidad, facilidad de uso y seguridad para el operador. Con el debido cuidado, le brindará muchos años de sólido y eficiente funcionamiento.

⚠ ADVERTENCIA: Para reducir el riesgo de lesiones, el usuario debe leer y comprender el manual del operador antes de usar este producto.

**CONSERVER CE MANUEL POUR
FUTURE RÉFÉRENCE**

**GUARDE ESTE MANUAL PARA
FUTURAS CONSULTAS**

TABLE OF CONTENTS

■ Introduction	2
■ Warranty	2
■ General Safety Rules	3-4
■ Specific Safety Rules.....	4-5
■ Symbols.....	6
■ Electrical.....	7
■ Features.....	8
■ Assembly.....	9-11
■ Operation.....	11-13
■ Adjustments.....	13-14
■ Maintenance.....	15
■ Troubleshooting.....	16
■ Figure numbers (illustrations).....	17-22
■ Parts Ordering / Service	Back page

INTRODUCTION

This tool has many features for making its use more pleasant and enjoyable. Safety, performance, and dependability have been given top priority in the design of this product making it easy to maintain and operate.

WARRANTY

RYOBI® POWER TOOL - LIMITED THREE YEAR WARRANTY AND 90 DAY EXCHANGE POLICY

One World Technologies, Inc., warrants its RYOBI® power tools with the following conditions:

90-DAY EXCHANGE POLICY: During the first 90 days after date of purchase, you may either request service under this warranty or you may exchange any RYOBI® power tool which does not work properly due to defective workmanship or materials by returning the power tool to the dealer from which it was purchased. To receive a replacement power tool or requested warranty service, you must present proof of purchase and return all original equipment packaged with the original product. The replacement power tool will be covered by the limited warranty for the balance of the three year period from the date of the original purchase.

WHAT THIS WARRANTY COVERS: This warranty covers all defects in workmanship or materials in your RYOBI® power tool for a period of three years from the date of purchase. With the exception of batteries, power tool accessories are warranted for ninety (90) days. Batteries are warranted for three years.

HOW TO GET SERVICE: Just return the power tool, properly packaged and postage prepaid, to an Authorized Service Center. You can obtain the location of the Service Center nearest you by contacting a service representative at One World Technologies, Inc., P.O. Box 1207, Anderson, SC 29622-1207, by calling 1-800-525-2579 or by logging on to www.ryobitools.com. When you request warranty service, you must also present proof of purchase documentation, which includes the date of purchase (for example, a bill of sale). We will repair any faulty workmanship, and either repair or replace any defective part, at our option. We will do so without any charge to you. We will complete the work in a reasonable time, but, in any case, within ninety (90) days or less.

WHAT'S NOT COVERED: This warranty applies only to the original purchaser at retail and may not be transferred. This warranty only covers defects arising under normal usage and does not cover any malfunction, failure or defects resulting from misuse, abuse, neglect, alteration, modification or repairs by other than Authorized Service Centers. One World Technologies, Inc. makes no warranties, representations or promises as to the quality or performance of its power tools other than those specifically stated in this warranty.

ADDITIONAL LIMITATIONS: Any implied warranties granted under state law, including warranties of merchantability or fitness for a particular purpose, are limited to three years from the date of purchase. One World Technologies, Inc. is not responsible for direct, indirect, or incidental damages, so the above limitations and exclusions may not apply to you. This warranty gives you specific legal rights, and you may also have other rights which vary from state to state.

GENERAL SAFETY RULES

WARNING:

Read and understand all instructions. Failure to follow all instructions listed below, may result in electric shock, fire and/or serious personal injury.

READ ALL INSTRUCTIONS

- **KNOW YOUR POWER TOOL.** Read the operator's manual carefully. Learn the applications and limitations as well as the specific potential hazards related to this tool.
- **GUARD AGAINST ELECTRICAL SHOCK** by preventing body contact with grounded surfaces. For example: pipes, radiators, ranges, refrigerator enclosures.
- **KEEP GUARDS IN PLACE** and in good working order.
- **REMOVE ADJUSTING KEYS AND WRENCHES.** Form habit of checking to see that keys and adjusting wrenches are removed from tool before turning it on.
- **KEEP WORK AREA CLEAN. DO NOT** leave tools or pieces of wood on the saw while it is in operation.
- **DO NOT USE IN DANGEROUS ENVIRONMENTS.** Do not use power tools near gasoline or other flammable liquids, in damp or wet locations or expose them to rain. Keep the work area well lit.
- **KEEP CHILDREN AND VISITORS AWAY.** All visitors should wear safety glasses and be kept a safe distance from work area.
- **MAKE WORKSHOP CHILDPROOF** with padlocks, master switches, or by removing starter keys.
- **DON'T FORCE THE TOOL.** It will do the job better and safer at the feed rate for which it was designed.
- **USE THE RIGHT TOOL.** Do not force the tool or attachment to do a job for which it was not designed.
- **USE THE PROPER EXTENSION CORD.** Make sure your extension cord is in good condition. Use only a cord heavy enough to carry the current your product will draw. An undersized cord will cause a drop in line voltage resulting in loss of power and overheating. A wire gauge size (A.W.G.) of at least **16** is recommended for an extension cord 25 feet or less in length. If in doubt, use the next heavier gauge. The smaller the gauge number, the heavier the cord.
- **DRESS PROPERLY.** Do not wear loose clothing, gloves, neckties, or jewelry. They can get caught and draw you into moving parts. Rubber gloves and nonskid footwear are recommended when working outdoors. Also wear protective hair covering to contain long hair.
- **ALWAYS WEAR SAFETY GLASSES WITH SIDE SHIELDS.** Everyday eyeglasses have only impact-resistant lenses, they are **NOT** safety glasses.
- **SECURE WORK.** Use clamps or a vise to hold work when practical. It's safer than using your hand and frees both hands to operate the tool.
- **DON'T OVERREACH.** Keep proper footing and balance at all times.
- **MAINTAIN TOOLS WITH CARE.** Keep tools sharp and clean for better and safer performance. Follow instructions for lubricating and changing accessories.
- **DISCONNECT TOOLS.** When not in use, before servicing, or when changing attachments, blades, bits, cutters, etc., all tools should be disconnected from power source.
- **AVOID ACCIDENTAL STARTING.** Be sure switch is off when plugging in any tool.
- **USE RECOMMENDED ACCESSORIES.** Consult the operator's manual for recommended accessories. The use of improper accessories may result in injury.
- **NEVER STAND ON TOOL.** Serious injury could occur if the tool is tipped or if the blade is unintentionally contacted.
- **CHECK DAMAGED PARTS.** Before further use of the tool, a guard or other part that is damaged should be carefully checked to determine that it will operate properly and perform its intended function. Check for alignment of moving parts, binding of moving parts, breakage of parts, mounting and any other conditions that may affect its operation. A guard or other part that is damaged must be properly repaired or replaced by an authorized service center to avoid risk of personal injury.
- **USE THE RIGHT DIRECTION OF FEED.** Feed work into a blade or cutter against the direction or rotation of the blade or cutter only.
- **NEVER LEAVE TOOL RUNNING UNATTENDED. TURN THE POWER OFF.** Don't leave tool until it comes to a complete stop.
- **DO NOT ABUSE CORD.** Never carry tool by the cord or yank it to disconnect from receptacle. Keep cord from heat, oil, and sharp edges.
- **PROTECT YOUR LUNGS.** Wear a face or dust mask if the cutting operation is dusty.
- **PROTECT YOUR HEARING.** Wear hearing protection during extended periods of operation.
- **BLADE COASTS AFTER BEING TURNED OFF.**
- **NEVER USE IN AN EXPLOSIVE ATMOSPHERE.** Normal sparking of the motor could ignite fumes.
- **INSPECT TOOL CORDS PERIODICALLY.** If damaged, have repaired by a qualified service technician at an authorized service facility. The conductor with insulation having an outer surface that is green with or without yellow stripes is the equipment-grounding conductor. If repair or replacement of the electric cord or plug is necessary, do not connect the equipment-grounding conductor to a live terminal. Repair or replace a damaged or worn cord immediately. Stay constantly aware of cord location and keep it well away from the rotating blade.
- **INSPECT EXTENSION CORDS PERIODICALLY** and replace if damaged.

GENERAL SAFETY RULES

- **GROUND ALL TOOLS.** If tool is equipped with three-prong plug, it should be plugged into a three-hole electrical receptacle.
- **CHECK WITH A QUALIFIED ELECTRICIAN** or service personnel if the grounding instructions are not completely understood or if in doubt as to whether the tool is properly grounded.
- **USE ONLY CORRECT ELECTRICAL DEVICES:** 3-wire extension cords that have 3-prong grounding plugs and 3-pole receptacles that accept the tool's plug.
- **DO NOT MODIFY** the plug provided. If it will not fit the outlet, have the proper outlet installed by a qualified electrician.
- **KEEP TOOL DRY, CLEAN, AND FREE FROM OIL AND GREASE.** Always use a clean cloth when cleaning. Never use brake fluids, gasoline, petroleum-based products, or any solvents to clean tool.
- **STAY ALERT AND EXERCISE CONTROL.** Watch what you are doing and use common sense. Do not operate tool when you are tired. Do not rush.
- **DO NOT USE TOOL IF SWITCH DOES NOT TURN IT ON AND OFF.** Have defective switches replaced by an authorized service center.
- **BEFORE MAKING A CUT, BE SURE ALL ADJUSTMENTS ARE SECURE.**
- **BE SURE BLADE PATH IS FREE OF NAILS.** Inspect for and remove all nails from lumber before cutting.
- **NEVER TOUCH BLADE** or other moving parts during use.
- **NEVER START A TOOL WHEN ANY ROTATING COMPONENT IS IN CONTACT WITH THE WORKPIECE.**
- **DO NOT OPERATE A TOOL WHILE UNDER THE INFLUENCE OF DRUGS, ALCOHOL, OR ANY MEDICATION.**
- **WHEN SERVICING** use only identical replacement parts. Use of any other parts may create a hazard or cause product damage.
- **USE ONLY RECOMMENDED ACCESSORIES** listed in this manual or addendums. Use of accessories that are not listed may cause the risk of personal injury. Instructions for safe use of accessories are included with the accessory.
- **DOUBLE CHECK ALL SETUPS.** Make sure blade is tight and not making contact with saw or workpiece before connecting to power supply.

SPECIFIC SAFETY RULES

- **FIRMLY CLAMP OR BOLT THE SAW TO A WORK BENCH OR LEG STAND** at approximately hip height.
- **NEVER OPERATE THE SAW ON THE FLOOR.**
- **AVOID AWKWARD OPERATIONS AND HAND POSITIONS** where a sudden slip could cause your hand to move into the blade. **ALWAYS** make sure you have good balance.
- **ALLOW THE MOTOR TO COME UP TO FULL SPEED** before starting a cut to avoid binding or stalling.
- **DO NOT USE TOOL IF SWITCH DOES NOT TURN IT ON AND OFF.** Have defective switches replaced by an authorized service center.
- **REPLACEMENT PARTS.** All repairs, whether electrical or mechanical, should be made by a qualified service technician at an authorized service center.
- **WHEN SERVICING** use only identical replacement parts. Use of any other parts may create a hazard or cause product damage.
- **KEEP HANDS AWAY FROM CUTTING AREA.** Do not hand hold pieces so small that your fingers go under the blade guard. Do not reach underneath work or in blade cutting path with your hands and fingers for any reason.
- **NEVER CUT MORE THAN ONE PIECE AT A TIME** or stack more than one workpiece on the saw table at a time.
- **DO NOT FEED THE MATERIAL TOO QUICKLY.** Do not force the workpiece against the blade.
- **USE ONLY CORRECT BLADES.** Use the right blade size and style for the material and the type of cut. Blade teeth should point down toward the table.
- **ALWAYS SUPPORT LARGE WORKPIECES** while cutting to minimize risk of blade pinching and kickback. Saw may slip, walk or slide while cutting large or heavy boards.
- **DO NOT REMOVE JAMMED CUTOFF PIECES** until blade has stopped.
- **NEVER TOUCH BLADE** or other moving parts during use.
- **BEFORE CHANGING THE SETUP, REMOVING COVERS, GUARDS OR BLADES,** unplug the saw and remove the switch key.
- **HOLD THE WORKPIECE** firmly against the saw table.
- **TO AVOID ACCIDENTAL BLADE CONTACT,** minimize blade breakage, and provide maximum blade support, always adjust the blade guide assembly to just clear the workpiece.
- **KEEP BLADES CLEAN, SHARP, AND WITH SUFFICIENT SET.** Sharp blades minimize stalling and kickbacks.
- **ALWAYS TURN OFF SAW** before disconnecting it to avoid accidental starting when reconnecting to a power source.

SPECIFIC SAFETY RULES

- **MAKE SURE WORK AREA HAS AMPLE LIGHTING** to see the work and that no obstructions will interfere with safe operation **BEFORE** performing any work using your saw.
- **THE BLADE GUIDES HAVE BEEN PRESET AT THE FACTORY.** These settings are functional for some applications. We recommend that you check and adjust blade guide settings before first use of your saw. Refer to **Adjusting thrust bearings and blade guide support** procedures explained in the *ADJUSTMENTS* section of this operator's manual.
- **DO NOT USE TOOL TO CUT METAL.**
- **THIS TOOL** should have the following markings:
 - a) Wear eye protection.
 - b) Keep fingers away from the blade.
 - c) Do not remove jammed or cutoff pieces until the blade has stopped.
 - d) Be sure blade is installed with teeth pointing down.
 - e) Maintain proper adjustment of the blade tension, blade guides, and thrust bearings.
 - f) Adjust the upper guide to just clear the workpiece.
 - g) Hold the workpiece firmly against the table when cutting.
- **IF THE POWER SUPPLY CORD IS DAMAGED**, it must be replaced only by the manufacturer or by an authorized service center to avoid risk.
- **SAVE THESE INSTRUCTIONS.** Refer to them frequently and use them to instruct other users. If you loan someone this tool, loan them these instructions also.

CALIFORNIA PROPOSITION 65

WARNING:

This product and some dust created by power sanding, sawing, grinding, drilling, and other construction activities may contain chemicals, including lead, known to the State of California to cause cancer, birth defects, or other reproductive harm. ***Wash hands after handling.***




Some examples of these chemicals are:

- lead from lead-based paints,
- crystalline silica from bricks and cement and other masonry products and,
- arsenic and chromium from chemically-treated lumber.







Your risk from these exposures varies, depending on how often you do this type of work. To reduce your exposure to these chemicals: work in a well ventilated area, and work with approved safety equipment, such as those dust masks that are specially designed to filter out microscopic particles.

SYMBOLS

The following signal words and meanings are intended to explain the levels of risk associated with this product.

SYMBOL	SIGNAL	MEANING
	DANGER:	Indicates an imminently hazardous situation, which, if not avoided, will result in death or serious injury.
	WARNING:	Indicates a potentially hazardous situation, which, if not avoided, could result in death or serious injury.
	CAUTION:	Indicates a potentially hazardous situation, which, if not avoided, may result in minor or moderate injury.
	NOTICE:	(Without Safety Alert Symbol) Indicates important information not related to an injury hazard, such as a situation that may result in property damage.

Some of the following symbols may be used on this tool. Please study them and learn their meaning. Proper interpretation of these symbols will allow you to operate the tool better and safer.

SYMBOL	NAME	DESIGNATION/EXPLANATION
	Safety Alert	Indicates a potential personal injury hazard.
	Read Operator's Manual	To reduce the risk of injury, user must read and understand operator's manual before using this product.
	Eye Protection	Always wear eye protection with side shields marked to comply with ANSI Z87.1.
	No Hands Symbol	Failure to keep your hands away from the blade will result in serious personal injury.
	Wet Conditions Alert	Do not expose to rain or use in damp locations.
V	Volts	Voltage
A	Amperes	Current
Hz	Hertz	Frequency (cycles per second)
min	Minutes	Time
~	Alternating Current	Type of current
n ₀	No Load Speed	Rotational speed, at no load
	Class II Construction	Double-insulated construction
.../min	Per Minute	Revolutions, strokes, surface speed, orbits, etc., per minute

ELECTRICAL

EXTENSION CORDS

Use only 3-wire extension cords that have 3-prong grounding plugs and 3-pole receptacles that accept the product's plug. When using a power tool at a considerable distance from the power source, use an extension cord heavy enough to carry the current that the product will draw. An undersized extension cord will cause a drop in line voltage, resulting in a loss of power and causing the motor to overheat. Use the chart provided below to determine the minimum wire size required in an extension cord. Only round jacketed cords listed by Underwriter's Laboratories (UL) should be used.

**Ampere rating (on product data plate)

0-2.0 2.1-3.4 3.5-5.0 5.1-7.0 7.1-12.0 12.1-16.0

Cord Length	Wire Size (A.W.G.)					
	16	16	16	16	14	14
25'	16	16	16	16	14	14
50'	16	16	16	14	14	12
100'	16	16	14	12	10	—

**Used on 12 gauge - 20 amp circuit.

NOTE: AWG = American Wire Gauge

When working with the product outdoors, use an extension cord that is designed for outside use. This is indicated by the letters "W-A" or "W" on the cord's jacket.

Before using an extension cord, inspect it for loose or exposed wires and cut or worn insulation.

WARNING:

Keep the extension cord clear of the working area. Position the cord so that it will not get caught on lumber, tools, or other obstructions while you are working with a power tool. Failure to do so can result in serious personal injury.

WARNING:

Check extension cords before each use. If damaged replace immediately. Never use the product with a damaged cord since touching the damaged area could cause electrical shock resulting in serious injury.

ELECTRICAL CONNECTION

This product is powered by a precision-built electric motor. It should be connected to a power supply that is **120 V, AC only (normal household current), 60 Hz**. Do not operate this product on direct current (DC). A substantial voltage drop will cause a loss of power and the motor will overheat. If the product does not operate when plugged into an outlet, double check the power supply.

SPEED AND WIRING

The no-load speed of this product is approximately 2,500 sfpm. This speed is not constant and decreases under a load or with lower voltage. For voltage, the wiring in a shop is as important as the motor's horsepower rating. A line intended only for lights cannot properly carry a power tool motor. Wire that is heavy enough for a short distance will be too light for a greater distance. A line that can support one power tool may not be able to support two or three products.

GROUNDING INSTRUCTIONS

This product must be grounded. In the event of a malfunction or breakdown, grounding provides a path of least resistance for electric current to reduce the risk of electric shock. This product is equipped with an electric cord having an equipment-grounding conductor and a grounding plug. The plug must be plugged into a matching outlet that is properly installed and grounded in accordance with all local codes and ordinances.

Do not modify the plug provided. If it will not fit the outlet, have the proper outlet installed by a qualified electrician.

WARNING:

Improper connection of the grounding plug can result in a risk of electric shock. When repair or replacement of the cord is required, do not connect the grounding wire to either flat blade terminal. The wire with insulation having an outer surface that is green with or without yellow stripes is the grounding wire.

Check with a qualified electrician or service personnel if the grounding instructions are not completely understood, or if in doubt as to whether the product is properly grounded.

Repair or replace a damaged or worn cord immediately.

This product is for use on a nominal 120 V circuit and has a grounding plug similar to the plug illustrated in figure 1, page 17. Only connect the product to an outlet having the same configuration as the plug. Do not use an adapter with this product.

FEATURES

PRODUCT SPECIFICATIONS

Blade Width 1/8 in. to 3/8 in.
Blade Length 62 in.
Frame to Blade Capacity 9 in.
Cutting Thickness Capacity 3-5/8 in.

Table Size 11-3/4 in. x 11-3/4 in.
Input 120 V~, 2.5 Amps, 60 Hz.
No Load Speed 2,500 FPM (1,270 cm/s)
Dust Port 2-1/2 in.

KNOW YOUR BAND SAW

See Figure 2, page 17.

The safe use of this product requires an understanding of the information on the tool and in this operator's manual as well as a knowledge of the project you are attempting. Before use of this product, familiarize yourself with all operating features and safety rules.

ANGLE ADJUSTMENT KNOB

Tilts the saw table for bevel cutting.

BLADE GUARD

Protects the operator from coming in contact with the blade.

BLADE GUIDE ADJUSTMENT KNOB

Use the blade guide adjustment knob to adjust the blade guide assembly up and down, and to keep the blade from twisting or breaking. Always lock the blade guide assembly in place before turning on the band saw.

BLADE GUIDES

Upper and lower blade guides help keep the blade from twisting during operation.

DUST EXHAUST PORT

A 2-1/2 in. dust exhaust port makes dustless cutting possible. Attach a dust bag or a shop vac to the dust exhaust port.

LATCH

Easy open latches allow front cover to be opened for making adjustments.

MITER GAUGE

This gauge aligns the wood for a crosscut. The easy-to-read indicator shows the exact angle for a miter cut at 90° and 45°.

RAPID SET BLADE TENSION LEVER

Controls blade tension when changing blades and making adjustments for various sawing applications.

SAW BLADE

Saw comes with a standard 1/4 in. blade.

SAW TABLE WITH THROAT PLATE

Your band saw has a saw table with tilt control. The throat plate, installed in the saw table at the factory, allows for blade clearance.

SCALE AND SCALE INDICATOR

The scale and scale indicator show the angle or degree the saw table is tilted for bevel cutting.

SWITCH AND SWITCH KEY

Your band saw has an easy access power switch. To lock in the **OFF** position, remove the yellow switch key. Place the key in a location inaccessible to children and others not qualified to use the tool.

TABLE LOCK LEVER

Loosening the table lock lever allows the saw table to be tilted at different angles. Tightening the table lock lever locks the saw table in place.

TRACKING KNOB

Adjusts tracking to keep blade centered on the wheels.

TRACKING VIEW WINDOW

The tracking view window makes tracking adjustments easier to see.

ASSEMBLY

LOOSE PARTS LIST

See Figure 4, page 18.

The following items are included with the saw:

Key No.	Description	Qty.
A	Saw Table	1
B	Miter Gauge.....	1
C	Hex key, 2 mm.....	1
D	Hex key, 4 mm.....	1
E	Washer.....	1
F	Table Lock Lever	1
	Operator's Manual (not shown)	1

UNPACKING

This product requires assembly.

- Carefully lift the saw from the carton and place on a level work surface.

WARNING:

Do not use this product if any parts on the Loose Parts List are already assembled to your product when you unpack it. Parts on this list are not assembled to the product by the manufacturer and require customer installation. Use of a product that may have been improperly assembled could result in serious personal injury.

- Inspect the tool carefully to make sure no breakage or damage occurred during shipping.

NOTE: This saw has been shipped with no blade tension. Do not turn this saw on until blade tension has been properly set.

- Do not discard the packing material until you have carefully inspected and satisfactorily operated the tool.
- If any parts are damaged or missing, please call 1-800-525-2579 for assistance.

WARNING:

If any parts are damaged or missing do not operate this product until the parts are replaced. Use of this product with damaged or missing parts could result in serious personal injury.

WARNING:

Do not attempt to modify this tool or create accessories not recommended for use with this tool. Any such alteration or modification is misuse and could result in a hazardous condition leading to possible serious personal injury.

WARNING:

Do not connect to power supply until assembly is complete. Failure to comply could result in accidental starting and possible serious personal injury.

MOUNTING BAND SAW TO WORKBENCH

If the band saw is to be used in a permanent location, the band saw must be mounted to a firm supporting surface such as a workbench. Four bolt holes have been provided in the saw's base for this purpose. Bolts should be of sufficient length to accommodate the saw base, lock washers, hex nuts, and the thickness of the workbench. Tighten all four bolts securely.

Carefully check the workbench after mounting to make sure that no movement can occur during use. If any tipping, sliding, or walking is noted, secure the workbench to the floor before operating.

- Place band saw on the workbench. Using the saw base as a pattern, locate and mark the holes where the band saw is to be mounted.
- Drill holes through the workbench.
- Place band saw on the workbench aligning holes in the saw base with the holes drilled in the workbench.
- Insert bolts (not included) and tighten securely with lock washers and hex nuts (not included).

NOTE: All bolts should be inserted from the top. Install the lock washers and hex nuts from the underside of the bench.

CLAMPING BAND SAW TO WORKBENCH

See Figure 5, page 18.

If the band saw is to be used as a portable tool, it is recommended that you fasten it permanently to a mounting board that can easily be clamped to a workbench or other supporting surface. The mounting board should be of sufficient size to avoid tipping of saw while in use. Any good grade plywood or chipboard with a 3/4 in. thickness is recommended.

If lag bolts are used, make sure they are long enough to go through holes in the saw base and material the saw is being mounted to. If machine bolts are being used, make sure bolts are long enough to go through holes in the saw base, the material being mounted to, and the lock washers and hex nuts.

NOTE: It may be necessary to countersink hex nuts and washers on bottom side of mounting board.

- Mount saw to board using holes in saw base as a template for hole pattern. Locate and mark the holes where the band saw is to be mounted.
- Follow the last three steps in the section **Mounting Band Saw to Workbench**, shown above.

ASSEMBLY

MOUNTING THE SAW TABLE

See Figures 6 - 7, pages 18 - 19.

- Remove the D-nut, washers, and wing screw on the saw table.
- Standing at the front of the band saw, slide the saw table past the blade and through the slot moving from the right side of the saw table to the left.
- Holding the saw table with your left hand while pulling the angle adjustment knob away from the saw frame, align the teeth on the saw table bracket into the teeth on the angle adjustment knob. Release the knob.
- Fit the pins on the frame into the slots of the saw table bracket.
- Insert the washer on the threaded end of the table lock lever. Tighten the saw table to the saw frame by turning the table lock lever clockwise.
- Attach the D-nut, washers, and wing screw to the saw table.

NOTE: The wing screw goes below the saw table.

SQUARING THE SAW TABLE TO THE BLADE

See Figures 8 - 9, page 19.

- Turn the lock knob counterclockwise to unlock the blade guide assembly. Turning the blade guide adjustment knob clockwise, raise the blade guide assembly as far as it will go. Turn the lock knob clockwise to retighten.
- Place a small combination square on the saw table beside the blade.
- Loosen the table lock lever and rotate the angle adjustment knob to tilt the saw table up or down to align table 90° to blade (0° position). Retighten the table lock lever.
- Using an adjustable wrench, loosen the jam nut.
- Turn the adjusting bolt until the bolt just touches the saw housing.
- Check squareness of the saw table to the blade. Make readjustments if necessary.
- Once squareness is confirmed, retighten the jam nut.
- Set scale indicator to zero and tighten screw with a phillips screwdriver.

NOTE: Always make a test cut to insure the squareness of the blade prior to beginning any new project. If not square, it may be necessary to loosen the screws under the saw table to make the adjustment (miter slot must be parallel to the saw blade). Once square, retighten screws.

ADJUSTING BLADE TENSION

See Figures 10 - 11, pages 19 - 20.

- Remove the switch key.
- Before using the band saw, turn the blade tension knob on the top of the saw clockwise to engage tension.
NOTE: Adjustments of blade tension can be made at anytime.
- Pluck the back straight edge of the saw blade like a guitar string while turning the tension knob.

Sound becomes higher pitched as tension increases. Never increase blade tension so tight as to completely compress the spring. When completely compressed, the spring can no longer act as a shock absorber.

Too much tension may cause the blade to break. Thicker workpieces require higher tension; maximum tension is not needed for all cuts. Too little tension may cause the blade to slip on the wheels.

TRACKING THE BLADE

See Figure 11, page 20.

Adjust blade tension properly before making tracking adjustments. Check that blade guides do not interfere with the blade. Blade gullet (the deepest part of the blade tooth) should be in the center of the tire.

To adjust:

- Open front covers by releasing the upper and lower latches. Watch the blade's position on the upper tire as, by hand, you slowly turn the upper wheel clockwise. If the blade moves away from the center of the tire, the tracking must be adjusted.

If the blade has moved left or right of center:

- Turn the blade tracking knob (clockwise if blade has moved left; counterclockwise if blade has moved right) while turning the wheel by hand until the blade moves back and rides in the center of the tire.
- Check the position of the blade on the lower tire. The blade should be completely on the tire (gullet of the blade teeth in the center). If not, adjust the tracking until the blade is on both tires.
- Rotate the upper wheel by hand in a clockwise direction for a few more turns. Make sure the blade stays in the same location on the tires. Readjust, if necessary, until blade is tracking properly.
- Close front covers and relatch.
- Turn on saw.
- Verify saw blade is centered on the tire (through the tracking view window). If not centered, repeat above steps.

ASSEMBLY

WARNING:

The blade guides have been preset at the factory. These settings are functional for some applications. We recommend that you check and adjust blade guide settings before first use of your saw. Refer to **Adjusting Blade Guide Support and Thrust Bearings** procedures explained in the *ADJUSTMENTS* section of this operator's manual.

OPERATION

WARNING:

Do not allow familiarity with tools to make you careless. Remember that a careless fraction of a second is sufficient to inflict serious injury.

WARNING:

Always wear eye protection with side shields marked to comply with ANSI Z87.1. Failure to do so could result in objects being thrown into your eyes, resulting in possible serious injury.

WARNING:

Do not use any attachments or accessories not recommended by the manufacturer of this tool. The use of attachments or accessories not recommended can result in serious personal injury.

WARNING:

To avoid blade contact, adjust the blade guide assembly to just clear the workpiece. Failure to do so could result in serious personal injury.

WARNING:

Never operate saw without the blade guard secured and the front covers locked. To do so could result in possible serious personal injury.

APPLICATIONS

You may use this tool for the purposes listed below:

- Scroll cutting and circle cutting of wood and wood composition products
- Various straight line cutting operations in wood and wood composition products

BASIC OPERATION OF THE BAND SAW

A band saw is basically a “curve cutting” machine that can also be used for straight-line cutting operations like cross cutting, mitering, beveling, compound cutting, and resawing. When using the band saw for straight line cutting, the user can install a fence using an appropriately sized piece of wood clamped to the table with “C” clamps. It is not capable of making inside or non-through cuts.

Before starting a cut, watch the saw run. If you experience excessive vibration or unusual noise, stop immediately. Turn the saw off, remove the switch key, and unplug the saw. Do not restart until locating and correcting the problem.

CUTTING PROCEDURES

- Hold the workpiece firmly against the saw table.
- Use gentle pressure and both hands when feeding the work into the blade. Do not force the work; allow the blade to cut.
- The smallest diameter circle that can be cut is determined by blade width. A 1/4 in. wide blade will cut a minimum diameter of 1-1/2 in.; a 1/8 in. wide blade will cut a minimum diameter of 1/2 in.
- Keep your hands away from the blade. Do not hand hold pieces so small your fingers will go under the blade guard.
- Avoid awkward operations and hand positions where a sudden slip could cause serious injury from contact with the blade. Never place hands in blade path.
- Use extra supports (tables, saw horses, blocks, etc.) when cutting large, small, or awkward workpieces.

OPERATION

- Never use a person as a substitute for a table extension or as additional support for a workpiece that is longer or wider than the basic saw table.
- When cutting irregularly shaped workpieces, plan your work so it will not pinch the blade. For example, a piece of molding must lay flat on the saw table. Workpieces must not twist, rock, or slip while being cut.

When backing up the workpiece, the blade may bind in the kerf (cut). This is usually caused by sawdust clogging the kerf or when the blade comes out of the guides. If this happens:

- Place the switch in the **OFF** position. Wait until the saw has come to a full and complete stop, then remove the switch key from the switch assembly. Store key in a safe place.
- Unplug the saw from the power source.
- Wedge the kerf open with a flat screwdriver or wooden wedge.
- Open front cover and turn the upper wheel by hand while backing up the workpiece.

RELIEF CUTS

Relief cuts are made when an intricate curve (too small a radius for the blade) is to be cut. Cut through a scrap section of the workpiece to curve in pattern line then carefully back the blade out. Several relief cuts should be made for intricate curves before following the pattern line as sections are cut off of curve “relieving” blade pressure.

SCROLL CUTTING

For general type scroll cutting, follow the pattern lines by pushing and turning the workpiece at the same time. Do not try to turn the workpiece while engaged in the blade without pushing it – the workpiece could bind or twist the blade.

REMOVING JAMMED MATERIAL

Never remove jammed cutoff pieces until the blade has come to a full and complete stop.

- Place the switch in the **OFF** position. Wait until the saw has come to a full and complete stop, then remove the switch key from the switch assembly. Store key in a safe place.
- Unplug the saw from the power source before removing jammed material.

AVOIDING INJURY

- Make sure saw is level and does not rock. Saw should always be on a firm, level surface with plenty of room for handling and properly supporting the workpiece.
- Bolt saw to the support surface to prevent slipping, walking, or sliding during operations like cutting long, heavy boards.
- Turn saw **OFF**, remove switch key, and unplug cord from the power source before moving the saw.
- Do not remove jammed cutoff pieces until blade has come to a full and complete stop.
- Choose the right size and style blade for the material and type of cut you plan to do.
- Make sure that the blade teeth point down toward the saw table, that the blade guides, thrust bearings, and blade tension are properly adjusted, that the blade guide knob is tight, and that no parts have excessive play.
- To avoid accidental blade contact, minimize blade breakage, and provide maximum blade support, always adjust the blade guide assembly to just clear the workpiece.
- Use only recommended accessories.
- With the exception of the workpiece and related support devices, clear everything off the saw table before turning the saw on.
- Properly support round materials such as dowel rods or tubing because they have a tendency to roll during a cut causing the blade to “bite”. To avoid this, always use a “V” block or clamp workpiece to a miter gauge.
- Before removing loose pieces from the saw table, turn saw off and wait for all moving parts to stop.

LOCKING THE SWITCH

See Figure 12, page 20.

- Place the switch in the **OFF** position. Wait until the saw has come to a full and complete stop, then remove the switch key from the switch assembly. Store key in a safe place.

BEFORE LEAVING THE SAW

See Figure 12, page 20.

- Place the switch in the **OFF** position. Wait until the saw has come to a full and complete stop, then remove the switch key from the switch assembly. Store key in a safe place.
- Unplug the saw from the power source.
- Make workshop childproof.
- Release the tension from the saw blade using the RAPID SET blade tension lever to prolong the life of the blade.
- Lock the shop.

OPERATION

TILTING THE TABLE

See Figure 13, page 20.

- Loosen the table lock knob slightly.
- Turn the angle adjustment knob, tilting the saw table until it reaches the desired angle.
- Using the scale indicator, check angle markings.
- Retighten the table lock knob to hold saw table securely in place.

USING THE MITER GAUGE

See Figures 14 - 15, page 20.

The miter gauge can be turned 30° to the right or left.

- Loosen the lock knob on the miter gauge.
- With the miter gauge in the miter gauge slot, rotate the gauge until the desired angle is reached on the index scale.
- Retighten the lock knob.

ADJUSTMENTS

WARNING:

Before performing any adjustment, make sure the tool is unplugged from the power supply and the switch is in the off position. Failure to heed this warning could result in serious personal injury.

WARNING:

To avoid personal injury, maintain proper adjustment of blade tension, blade tracking, blade guides, and thrust bearings.

INSTALLING AND ADJUSTING THE BLADE

See Figure 16, page 21.

- Loosen and remove the wing screw, washers, and D-nut from the saw table.
- Open the front covers by releasing the upper and lower latches.
- Turn the lock knob counterclockwise to unlock the blade guide assembly. Turning the blade guide knob (clockwise raises the blade guide assembly; counterclockwise lowers it), position the blade guide assembly about halfway between the saw table and saw housing. Retighten the lock knob.
- Open the blade guard by pulling the left side of the guard out and away from the wheel.

- Release all blade tension from the blade.
- Carefully remove the old blade.
- Wearing gloves, carefully uncoil the new blade at arms length. If the new blade was oiled to prevent rusting, it may need to be wiped to keep the oil from your workpiece. Carefully wipe in the same direction the teeth are pointing so the rag does not catch on the teeth of the saw blade.
NOTE: The blade may need to be turned inside out if the teeth are pointing in the wrong direction. Hold the blade with both hands and rotate it inward.
- With the teeth of the blade toward the left of the saw and facing downward, place the blade through the lower blade guides and around both wheels.
- Slowly turn the upper wheel to the right or clockwise by hand to center the blade on the rubber tires.
- Re-engage the RAPID SET blade tension lever then adjust the blade tension; check or adjust the blade tracking.
- Adjust both upper and lower blade guides and thrust bearings as explained later in this Operator's Manual.
- Reattach the wing screw, washers, and D-nut. Tighten securely.
- Close the blade guard and front cover. Relatch.

ADJUSTMENTS

ADJUSTING BLADE GUIDE ASSEMBLY

See Figures 17 - 18, page 21.

To prevent the blade from twisting or breaking, the blade guide assembly should always be set approximately 1/8 in. above the workpiece.

- Turn the lock knob counterclockwise to unlock the blade guide assembly.
- As a guide, use a scrap piece of the same wood you are about to cut to set the height of the blade guide assembly. Adjust the blade guide assembly by turning the blade guide knob.
- Lock blade guide assembly in place by turning the lock knob clockwise.
- Always lock the blade guide assembly in place before turning on the band saw.

ADJUSTING BLADE GUIDE SUPPORT AND THRUST BEARINGS

See Figure 19, page 22.

NOTE: Tighten the lock knob and refer to **Adjusting Blade Tension** and **Tracking the Blade** procedures explained in the *ASSEMBLY* section of this operator's manual prior to making adjustments.

The upper and lower blade thrust bearings support and bearing guides the saw blade during cutting operations. The adjustment of the bearings and guides should be checked whenever a different blade is installed.

To Adjust Thrust Bearings:

The thrust bearings support the back edge of the blade during cutting. The blade should not contact the thrust bearings when you stop cutting. It is important that both upper and lower thrust bearings be adjusted equally.

- Open the front covers and blade guard.
- Using a hex key, loosen the upper and lower thrust bearing screws and push thrust bearings to the back of the saw.
- Verify that saw blade is tracking correctly, then slide the thrust bearing forward until the bearing is within 1/64 in. of the blade. Tighten the thrust bearing screw securely.
- Slide lower bearing forward until it has proper clearance. Tighten the thrust bearing screw securely.

To Adjust Blade Guide Support:

- Loosen the blade guide support and blade guide set screws using hex keys.
 - Slide the upper blade guide support on the shaft until the front edge of the guides contact the saw blade behind the gullet. Tighten the screw securely.
 - Push the right guide to contact the blade and release. Slowly rotate wheel one full rotation. Tighten blade guide set screws.
 - Adjust left side guide to allow 1/64 in. clearance between the blade and guide (about the thickness of a dollar bill) by inserting dollar bill between left guide and blade.
 - Apply pressure to left guide pin to hold dollar bill in place. Tighten set screw and remove dollar bill.
 - Rotate, by hand, a full three rotations to make sure blade will not bind.
 - Close the blade guard and front cover. Relatch.
- Repeat this procedure for the lower blade guide support.

MAINTENANCE

WARNING:

When servicing, use only identical replacement parts. Use of any other parts can create a hazard or cause product damage.

WARNING:

Always wear eye protection with side shields marked to comply with ANSI Z87.1 during product operation. If operation is dusty, also wear a dust mask.

WARNING:

Before performing any maintenance, make sure the tool is unplugged from the power supply and the switch is in the off position. Failure to heed this warning could result in serious personal injury.

GENERAL MAINTENANCE

Avoid using solvents when cleaning plastic parts. Most plastics are susceptible to damage from various types of commercial solvents and may be damaged by their use. Use clean cloths to remove dirt, dust, oil, grease, etc.

WARNING:

Do not at any time let brake fluids, gasoline, petroleum-based products, penetrating oils, etc., come in contact with plastic parts. Chemicals can damage, weaken or destroy plastic which may result in serious personal injury.

- Keep your band saw clean.
- Remove sawdust from the inside frequently.
- Do not allow pitch to accumulate on the saw table, blade guides, or thrust bearings. Clean them with gum and pitch remover.
- Apply a thin coat of automobile type wax to the saw table's top so the wood slides easily while cutting.

LUBRICATION

All of the bearings in this tool are lubricated with a sufficient amount of high grade lubricant for the life of the unit under normal operating conditions. Therefore, no further lubrication is required.

MOTOR/ELECTRICAL

- Frequently vacuum or blow out sawdust from the motor.

TIRES

Cleaning tires:

- Pitch and sawdust accumulates on tires and needs to be removed with a fine wire brush or a piece of wood. **Do not** use a sharp knife or any kind of solvent.

Replacing tires:

- Open front cover and remove saw blade. See section on **Installing and Adjusting the Blade**, page 13.
- Pry the worn tire away from the wheel carefully.
- Stretch the new tire around the wheel.
- Replace the saw blade and close the front cover.

BRUSH

See *Figure 21*, page 22.

There is a brush located inside the saw housing next to the wheel. It helps protect the tire and wheel by brushing off saw dust. As the brush becomes worn, it will need to be adjusted or replaced.

- Remove the screw and washer then pull the brush off.
- Place the new brush in the groove.
- Reinstall using the washer and screw.

TROUBLESHOOTING

PROBLEM	CAUSE	SOLUTION
Motor will not run.	<ol style="list-style-type: none"> 1. Problem with On/Off switch or power cord. 2. Motor defective. 3. Blade is binding. 	<ol style="list-style-type: none"> 1. Have worn parts replaced before using band saw again. 2. Do not attempt any repair. Have tool repaired by a qualified service technician. 3. Remove jammed material.
Blade does not run in the approximate center of the upper wheel.	<ol style="list-style-type: none"> 1. Not tracking properly. 	<ol style="list-style-type: none"> 1. Adjust tracking, See <i>ADJUSTMENTS</i> section, "Tracking the Blade". 2. Have tool repaired by a qualified service technician.
Band Saw slows down when	<ol style="list-style-type: none"> 1. Cutting too small a radius. 2. Dull blade. 	<ol style="list-style-type: none"> 1. Stop feeding and back up the cutting material slightly until the band saw speeds up. 2. Replace blade.
Blade breaking.	<ol style="list-style-type: none"> 1. Too much blade tension. 2. Kink in blade caused by cutting too small radius or turning the material too fast when cutting. 3. Thrust bearings scarred or not rotating. 	<ol style="list-style-type: none"> 1. Adjust tension. See <i>ADJUSTMENTS</i> section, Adjusting Blade Tension. 2. Use correct cutting technique. See section, <i>Operation</i>. 3. Replace the thrust bearings.
Saw is noisy when running.	<ol style="list-style-type: none"> 1. Too much blade tension. 2. Blade guides and bearings are in contact with the blade. 	<ol style="list-style-type: none"> 1. Adjust tension. See <i>ADJUSTMENTS</i> section, Adjusting Blade Tension. 2. Adjust upper and lower blade guides and bearings. See <i>ADJUSTMENTS</i> sections, Adjusting Thrust Bearings and Blade Guide Support.
Blade will not cut straight.	<ol style="list-style-type: none"> 1. Blade guides and bearings not properly adjusted. 2. Worn or defective blade. 	<ol style="list-style-type: none"> 1. Adjust upper and lower blade guides and bearings. See <i>ADJUSTMENTS</i> sections, Adjusting Thrust Bearings and Blade Guide Support. 2. Replace blade.
Blade guides will not stay in position.	<ol style="list-style-type: none"> 1. Blade guide screws have loosened. 	<ol style="list-style-type: none"> 1. Tighten blade guide screws securely.
Motor runs but blade does not turn	<ol style="list-style-type: none"> 1. Tension not set properly. 2. Drive belt broken. 	<ol style="list-style-type: none"> 1. Use RAPID SET Blade Tension Lever to set tension. 2. Have tool repaired by a qualified service technician.

NOTE: FIGURES (ILLUSTRATIONS) START ON PAGE 17 AFTER FRENCH AND SPANISH LANGUAGE SECTIONS.

TABLE DES MATIÈRES

■ Introduction	2
■ Garantie	2
■ Règles de sécurité générales	3-4
■ Règles de sécurité particulières	4-5
■ Symboles.....	6
■ Caractéristiques électriques.....	7
■ Caractéristiques	8
■ Assemblage.....	9-11
■ Utilisation.....	11-13
■ Réglages.....	13-14
■ Entretien	15
■ Recherche de pannes.....	16
■ Figure numéros (illustrations).....	17-22
■ Commande de pièces / réparation.....	Page arrière

INTRODUCTION

Cet outil offre de nombreuses fonctions destinées à rendre son utilisation plaisante et plus satisfaisante. Lors de la conception de ce produit, l'accent a été mis sur la sécurité, les performances et la fiabilité, afin d'en faire un outil facile à utiliser et à entretenir.

GARANTIE

OUTILS ÉLECTRIQUES RYOBI® – GARANTIE LIMITÉE DE TROIS ANS ET POLITIQUE D'ÉCHANGE DE 90 JOURS

One World Technologies, Inc., garantit ses outils électriques dans les conditions suivantes :

POLITIQUE D'ÉCHANGE DE 90 JOURS : En cas de défaillance due à des vices de matériaux ou de fabrication au cours des 90 jours suivant la date d'achat, l'acheteur pourra faire réparer tout outil électrique RYOBI® au titre de cette garantie ou le retourner l'établissement où il a été acheté. Pour obtenir un outil en échange ou demander la réparation en garantie, l'équipement complet devra être retourné, dans son emballage d'origine, accompagné d'une preuve d'achat. L'outil fourni en échange sera couvert par la garantie limitée pour le restant de la période de validité de deux ans à compter de la date d'achat.

CE QUI EST COUVERT PAR LA GARANTIE : Cette garantie couvre tous les vices de matériaux et de fabrication de cet outil électrique RYOBI®, pour une période de trois ans, à compter de la date d'achat. À l'exception des batteries, les accessoires sont garantis pour une période de (90) jours. Les batteries sont garanties trois ans.

RÉPARATIONS SOUS GARANTIE : Il suffit de retourner l'outil, correctement emballé, en port payé, à un centre de réparations agréé. L'adresse du centre de réparations agréé le plus proche peut être obtenue en contactant un représentant du service après-vente par courrier, à l'adresse One World Technologies, Inc., P.O. Box 1207, Anderson, SC 29622-1207, par téléphone au 1-800-525-2579 ou par courriel, à l'adresse Internet www.ryobitools.com. Lors de toute demande de réparation sous garantie, une preuve d'achat datée (par exemple un reçu de vente) doit être fournie. Nous nous engageons à réparer tous les défauts de fabrication et à réparer ou remplacer, à notre choix, toutes les pièces défectueuses. Les réparations et remplacements seront gratuits. Les réparations sous garantie seront effectuées dans un délai raisonnable, ne dépassant en aucun cas (90) jours.

CE QUI N'EST PAS COUVERT : La garantie ne couvre que l'acheteur au détail original et n'est pas transférable. Cette garantie ne couvre que les défauts résultant d'une utilisation normale. Elle ne couvre pas les problèmes de fonctionnement, défaillances ou autres défauts résultant d'un usage incorrect ou abusif, de la négligence, de la modification, de l'altération ou de réparations effectuées par quiconque autre qu'un centre de réparations agréé. One World Technologies, Inc. ne fait aucune autre garantie, représentation ou promesse concernant la qualité et les performances de cet outil électrique, autres que celles expressément indiquées dans le présent document.

AUTRES LIMITATIONS : Toutes les garanties implicites accordées par les lois en vigueur, y compris les garanties de valeur marchande ou d'adéquation à un usage particulier, sont limitées à une durée de trois ans, à compter de la date d'achat. One World Technologies, Inc. déclinant toute responsabilité pour les dommages directs ou indirects, les limitations et exclusions peuvent ne pas s'appliquer à chaque acheteur. Cette garantie donne au consommateur des droits spécifiques, et celui-ci peut bénéficier d'autres droits, qui varient selon les états ou provinces.

RÈGLES DE SÉCURITÉ GÉNÉRALES



AVERTISSEMENT :

Lire et veiller à bien comprendre toutes les instructions. Le non respect de toutes les instructions ci-dessous peut entraîner un choc électrique, un incendie et / ou des blessures graves.

LIRE TOUTES LES INSTRUCTIONS

- **CONNAISSEZ VOTRE OUTIL ÉLECTRIQUE.** Lisez attentivement votre manuel. Apprenez les usages et limites de la scie ainsi que les risques qui lui sont propres.
- **PROTÉGEZ-VOUS DES DÉCHARGES ÉLECTRIQUES** en évitant le contact du corps avec les surfaces à la terre. Par exemple : tuyaux, radiateurs, cuisinières, réfrigérateurs.
- **GARDEZ LES PROTECTEURS EN PLACE** et en bon état.
- **ENLEVEZ LES CLÉS DE RÉGLAGE ET DE SERRAGE.** Prenez l'habitude de vérifier si les clés de réglage et de serrage ont été enlevées avant de mettre l'outil en marche.
- **GARDEZ LE LIEU DE TRAVAIL PROPRE. NE PAS** laisser d'outils ou de pièces de bois sur la scie en fonctionnement.
- **N'UTILISEZ PAS L'OUTIL DANS DES ENVIRONNEMENTS DANGEREUX.** N'utilisez pas d'outils électriques dans un endroit où se trouvent de l'essence ou autres liquides inflammables et pas non plus dans des endroits humides ou mouillés et ne les exposez pas à la pluie. Gardez le lieu de travail bien éclairé.
- **ÉLOIGNEZ LES ENFANTS ET LES VISITEURS.** Tous les visiteurs doivent porter des lunettes de sécurité et être maintenus à une distance sûre de l'aire de travail.
- **INSTALLEZ VOTRE ATELIER POUR QU'IL SOIT SÛR POUR LES ENFANTS** grâce à des cadenas, des interrupteurs principaux ou en enlevant les clés de démarrage.
- **NE FORCEZ PAS L'OUTIL.** Il fera un meilleur travail et avec plus de sécurité au régime pour lequel il a été conçu.
- **UTILISEZ L'OUTIL APPROPRIÉ.** Ne forcez pas un outil ou un accessoire à effectuer un travail pour lequel il n'a pas été conçu. Ne l'utilisez pas à des fins pour lesquelles il n'apas été prévu.
- **UTILISEZ LE CORDON PROLONGATEUR APPROPRIÉ.** Assurez-vous que le cordon prolongateur est en bon état. Lorsqu'un cordon prolongateur est utilisé, assurez-vous que celui-ci est d'un calibre suffisant pour le courant nécessaire à l'outil. Un cordon d'un calibre insuffisant entraînera une baisse de tension d'où perte de puissance et surchauffe. Un calibre **16** (A.W.G.) minimum est recommandé pour un cordon prolongateur de 7,6 mètres (25 pieds) de longueur maximale. En cas de doute, utilisez un cordon d'un calibre supérieur. Plus le chiffre du calibre est petit, plus le cordon est gros.
- **PORTER UNE TENUE APPROPRIÉE.** Ne pas porter de vêtements amples, gants, cravate ou bijoux. Ces articles pourraient être happés et tirer la main ou une partie du corps dans les pièces en mouvement. Des gants en caoutchouc et des chaussures antidérapantes sont recommandées pour le travail à l'extérieur. Les cheveux longs doivent être ramassés sous un couvre-chef.
- **PORTEZ TOUJOURS DES LUNETTES DE SÉCURITÉ À COQUES LATÉRALES.** Les lunettes de tous les jours n'ont que des verres résistant aux chocs; ce **NE** sont **PAS** des lunettes de sécurité.
- **FIXEZ LE TRAVAIL.** Utilisez des serre-joints ou un étau pour fixer la pièce. C'est plus sûr que d'utiliser vos mains qui seront ainsi libres pour faire fonctionner l'outil.
- **NE DÉPASSEZ PAS VOTRE PORTÉE.** Gardez le pied sûr et conservez votre équilibre en tout temps.
- **ENTRETIENEZ LES OUTILS AVEC SOIN.** Gardez les outils aiguisés et propres en tout temps afin d'assurer un rendement des plus sûrs. Suivez les instructions pour la lubrification et le changement d'accessoires.
- **DÉBRANCHEZ LES OUTILS.** Tous les outils doivent être débranchés de l'alimentation lorsqu'ils ne sont pas utilisés, avant l'entretien ou lors du changement des accessoires, lames, forets, fers, etc.
- **ÉVITER LES DÉMARRAGES ACCIDENTELS.** S'assurer que le commutateur est en position d'arrêt avant de brancher un outil.
- **UTILISEZ LES ACCESSOIRES RECOMMANDÉS.** Consultez le manuel de l'utilisateur pour les accessoires recommandés. L'emploi de mauvais accessoires peut entraîner un risque de blessure.
- **NE MONTEZ PAS SUR L'OUTIL.** Des blessures graves peuvent se produire si l'outil bascule ou si l'on rentre en contact par inadvertance avec l'outil coupant.
- **VÉRIFIER L'ÉTAT DES PIÈCES.** Avant d'utiliser l'outil, si un protecteur ou une autre pièce est endommagé, vérifiez avec soin s'il fonctionne correctement. Vérifiez si les pièces mobiles sont alignées, si elles ne sont pas coincées, s'il y a des pièces cassées, si le montage est correct et si d'autres conditions peuvent affecter le bon fonctionnement. Pour éviter de vous blesser, toute pièce ou tout protecteur endommagé doit être correctement réparé ou remplacé par un technicien qualifié, dans un centre de service après-vente agréé.
- **ENGAGER LES PIÈCES DANS LE SENS CORRECT.** Alimentez toujours la pièce dans le sens inverse de la rotation de la lame ou du fer.
- **NE LAISSEZ JAMAIS L'OUTIL TOURNER LORSQU'IL N'Y A PERSONNE. COUPEZ L'ALIMENTATION ÉLECTRIQUE.** Ne quittez pas l'outil avant son arrêt complet.
- **NE MALTRAITEZ PAS LE CORDON.** Ne transportez jamais l'outil par le cordon et ne tirez jamais sur le cordon pour le débrancher. Ne laissez pas le cordon entrer en contact avec de l'huile, de la chaleur et des arêtes vives.
- **PROTÉGEZ VOS POUMONS.** Portez un masque facial ou antipoussière si l'opération soulève de la poussière.

RÈGLES DE SÉCURITÉ GÉNÉRALES

- **PROTÉGEZ VOTRE OÛÏE.** Portez des protège-tympans lors d'un usage prolongé de l'outil.
- **LES LAMES TOURNENT SUR LEUR LANCÉE PENDANT QUELQUES INSTANTS APRÈS L'ARRÊT.**
- **N'UTILISEZ JAMAIS L'OUTIL DANS UNE ATMOSPHÈRE EXPLOSIVE.** Les étincelles normales du moteur pourraient enflammer les vapeurs.
- **INSPECTER RÉGULIÈREMENT LES CORDONS DE L'OUTIL.** Faire remplacer tout commutateur défectueux par un technicien qualifié ou un centre de réparations agréé. Le fil à gaine verte, avec ou sans traceur jaune est le fil de terre. Si le cordon doit être réparé ou remplacé, ne pas connecter le fil de terre de l'outil sur une borne sous tension. Tout cordon endommagé doit être réparé ou remplacé immédiatement. Toujours rester conscient de l'emplacement du cordon et veiller à le tenir à l'écart de la lame en rotation.
- **INSPECTER RÉGULIÈREMENT LES CORDONS PROLONGATEURS** et les remplacer s'ils sont endommagés.
- **METTRE TOUS LES OUTILS À LA TERRE.** Si un outil est équipé d'une fiche à trois broches, il doit être branché sur une prise secteur à trois trous.
- **CONSULTER UN ÉLECTRICIEN QUALIFIÉ** ou le personnel de service si les instructions de mise à la terre ne sont pas bien comprises, ou en cas de doute au sujet de la mise à la terre.
- **N'UTILISER QUE DES ACCESSOIRES ÉLECTRIQUES APPROPRIÉS :** Utiliser exclusivement des cordons prolongateurs à 3 fils doté d'une fiche à prise de terre branchés sur une prise triphasée compatible avec la fiche de l'outil.
- **NE PAS MODIFIER** la fiche fournie. Si elle ne peut pas être insérée dans la prise secteur, faire installer une prise adéquate par un électricien qualifié.
- **GARDER L'OUTIL SEC, PROPRE ET EXEMPT D'HUILE OU DE GRAISSE.** Toujours utiliser un chiffon propre pour le nettoyage. Ne jamais utiliser de liquide de freins, d'essence ou de produits à base de pétrole pour nettoyer l'outil.
- **RESTER VIGILANT ET GARDER LE CONTRÔLE.** Se montrer attentif et faire preuve de bon sens. Ne pas utiliser l'outil en état de fatigue. Ne pas se presser.
- **NE PAS UTILISER L'OUTIL SI LE COMMUTATEUR NE PERMET PAS DE LE METTRE EN MARCHÉ OU DE L'ARRÊTER.** Faire remplacer les commutateurs défectueux dans un centre de réparations agréé.
- **S'ASSURER QUE TOUS LES DISPOSITIFS DE PROTECTION FONCTIONNENT CORRECTEMENT AVANT D'EFFECTUER UNE COUPE.**
- **S'ASSURER QU'AUCUN CLOU NE SE TROUVE SUR LA TRAJECTOIRE DE LA LAME.** Inspecter la pièce et retirer les clous éventuels avant de la couper.
- **NE JAMAIS TOUCHER LA LAME** ou les pièces en mouvement pendant le fonctionnement.
- **NE JAMAIS METTRE UN OUTIL EN MARCHÉ LORSQU'UNE PIÈCE EN ROTATION QUELCONQUE EST EN CONTACT AVEC LA PIÈCE À COUPER.**
- **NE PAS UTILISER CET OUTIL SOUS L'INFLUENCE DE L'ALCOOL, DE DROGUES OU DE MÉDICAMENTS.**
- Utiliser exclusivement des pièces identiques à celles d'origine **POUR LES RÉPARATIONS.** L'usage de toute autre pièce pourrait créer une situation dangereuse ou endommager l'outil.
- **UTILISER EXCLUSIVEMENT LES ACCESSOIRES RECOMMANDÉS** dans ce manuel ou ses addendas. L'emploi de tout accessoire non recommandé peut présenter un risque de blessure. Les instructions de sécurité d'utilisation sont fournies avec les accessoires.
- **VÉRIFIER DEUX FOIS TOUS LES RÉGLAGES.** S'assurer que la lame est bien serrée et ne touche ni la scie, ni la pièce à couper avant de brancher la scie sur le secteur.

RÈGLES DE SÉCURITÉ PARTICULIÈRES

- **BOULONNEZ OU FIXEZ À L'AIDE DE SERRE-JOINT LA SCIE SUR UN ÉTABLI OU UN STAND,** approximativement à la hauteur des hanches.
- **NE JAMAIS UTILISER LA SCIE POSÉE SUR LE SOL.**
- **ÉVITEZ LES OPÉRATIONS MALAISÉES ET INCOMMODES** où un glissement soudain pourrait placer la main trop près de la lame. Assurez-vous **TOUJOURS** d'avoir un bon équilibre.
- **ATTENDEZ QUE LE MOTEUR ATTEIGNE SA VITESSE MAXIMALE** avant de scier pour éviter coincement ou calage.
- **N'UTILISEZ PAS L'OUTIL SI L'INTERRUPTEUR NE FONCTIONNE PAS CORRECTEMENT.** Faites réparer l'interrupteur défectueux dans un centre de service après-vente agréé.
- **PIÈCES DE RECHANGE.** Toutes les réparations, qu'elles soient électriques ou mécaniques, doivent être faites par un technicien qualifié dans un centre de service après-vente agréé.
- **LORS DE L'ENTRETIEN,** n'utilisez que des pièces de rechange identiques. L'emploi de toute autre pièce peut entraîner un danger et endommager le produit.

RÈGLES DE SÉCURITÉ PARTICULIÈRES

- **TENEZ LES MAINS ÉLOIGNÉES DE LA ZONE DECOUPE.** Ne tenez pas à la main des pièces si petites qu'elles vous obligent à mettre les doigts sous le protège-lame. Ne mettez pas les mains ni les doigts sous la table ou dans la trajectoire de la lame quelle qu'en soit la raison.
- **NE COUPEZ JAMAIS PLUS D'UNE PIÈCE À LA FOIS** ni empilez des pièces sur la table de la scie.
- **N'ALIMENTEZ PAS TROP RAPIDEMENT LA PIÈCE.** Ne forcez pas la pièce contre la lame.
- **UTILISEZ SEULEMENT LES BONNES LAMES.** Utilisez des lames de la bonne taille et du style convenant au matériau et au type de coupe. Les dents de la lame doivent se diriger vers le bas et en direction de la table.
- **FAITES TOUJOURS SOUTENIR LES LONGUES PIÈCES** pendant le sciage, pour minimiser le risque de coincement et de recul. La scie peut glisser ou se déplacer lors de la coupe de pièces lourdes ou longues.
- **NE RETIREZ PAS DES CHUTES SE TROUVANT COINCÉES** tant que la lame n'est pas arrêtée.
- **NE TOUCHEZ JAMAIS LA LAME** ni d'autres pièces mobiles pendant l'emploi.
- **AVANT DE CHANGER LE RÉGLAGE, D'ENLEVER UN CARTER, UN PROTÈGE-LAME OU LA LAME,** débranchez la scie et retirez la clé de l'interrupteur.
- **MAINTENEZ FERMENT LA PIÈCE** contre la table.
- **AJUSTEZ TOUJOURS L'ENSEMBLE DE GUIDE-LAME** juste au-dessus de la pièce pour éviter un contact accidentel avec la lame, réduire le risque de rupture de la lame et fournir un support maximum à la lame.
- **GARDEZ LES LAMES TRANCHANTES, PROPRES ET AYANT SUFFISAMMENT DE VOIE.** Les lames tranchantes réduisent au minimum les calages et les reculs.
- **ARRÊTEZ TOUJOURS LA SCIE** avant de la débrancher afin d'éviter un démarrage accidentel lors du rebranchement de la scie.
- **ASSUREZ-VOUS QUE LA ZONE DE TRAVAIL EST BIEN ÉCLAIRÉE** afin de bien voir la pièce et de vous assurer qu'il n'y a pas d'obstructions pouvant entraver le fonctionnement sûr **AVANT** d'utiliser la scie.
- **LES GUIDE-LAME ONT ÉTÉ RÉGLÉS À L'USINE.** Ces réglages sont fonctionnels pour certaines applications. Nous vous recommandons de vérifier et de régler les protège-lame avant l'emploi initial de la scie. Reportez-vous aux méthodes : **Réglage des roulements d'appui et du support de guide-lame** expliquées dans la section **RÉGLAGES** du manuel de l'utilisateur.
- **NO UTILISE OUTIL POUR COUPER DU MÉTAUX.**
- Les avertissements ci-dessous doivent être apposés sur **CET OUTIL** :
 - a) Porter une protection oculaire.
 - b) Gardez les doigts éloignés de la lame en mouvement.
 - c) Ne pas retirer ce chutes bloquées avant arrêt complet de la lame.
 - d) Assurez-vous que les dents de la scie sont dirigées vers le bas en direction table de la scie.
 - e) Entretien sont correctement réglés que la tension de lame, les guides de lame, et paliers de butée.
 - f) Régler du guide de lame supérieur juste éclaircir la pièce à couper.
 - g) Assujettir solidement la pièce à couper sur la table.
- **SILE CORDON D'ALIMENTATION EST ENDOMMAGÉ,** il doit être remplacé uniquement pas le fabricant ou par un centre de réparation agréé pour éviter tout risque.
- **CONSERVER CES INSTRUCTIONS.** Relisez-les souvent et utilisez-les pour renseigner une autre personne. Si vous prêtez cet outil à quelqu'un, prêtez-lui aussi ces instructions.

PROPOSITION 65 DE L'ÉTAT DE CALIFORNIE

AVERTISSEMENT :

Ce produit et la poussière dégagée lors du ponçage, sciage, meulage, perçage de certains matériaux et lors d'autres opérations de construction peuvent contenir des produits chimiques, notamment du plomb qui, selon l'État de la Californie, peuvent causer le cancer, des anomalies congénitales et d'autres dommages au système reproducteur. **Bien se laver les mains après toute manipulation:**




Voici certains exemples de ces produits chimiques :

- le plomb contenu dans la peinture au plomb,
- la silice cristalline contenue dans les briques, le béton et d'autres produits de maçonnerie, ainsi que
- l'arsenic et le chrome contenus dans le bois de construction traité par produits chimiques.







Le risque présenté par l'exposition à ces produits varie en fonction de la fréquence de ce type de travail. Pour réduire l'exposition, travailler dans un endroit bien aéré et utiliser des équipements de sécurité approuvés tels que masques anti-poussières spécialement conçus pour filtrer les particules microscopiques.

SYMBOLES

Les termes de mise en garde suivants et leur signification ont pour but d'expliquer le degré de risques associé à l'utilisation de ce produit.

SYMBOLE	SIGNAL	SIGNIFICATION
	DANGER :	Indique une situation extrêmement dangereuse qui, si elle n'est pas évitée, aura pour conséquences des blessures graves ou mortelles.
	AVERTISSEMENT :	Indique une situation potentiellement dangereuse qui, si elle n'est pas évitée, pourrait avoir pour conséquences des blessures graves ou mortelles.
	ATTENTION :	Indique une situation potentiellement dangereuse qui, si elle n'est pas évitée, pourrait avoir pour conséquences des blessures légères ou de gravité modérée.
	AVIS :	(Sans symbole d'alerte de sécurité) Indique une information importante ne concernant pas un risque de blessure comme une situation pouvant occasionner des dommages matériels.

Certains des symboles ci-dessous peuvent être utilisés sur l'outil. Veiller à les étudier et à apprendre leur signification. Une interprétation correcte de ces symboles permettra d'utiliser l'outil plus efficacement et de réduire les risques.

SYMBOLE	NOM	DÉSIGNATION / EXPLICATION
	Symbole d'alerte de sécurité	Indique un risque de blessure potentiel.
	Lire le manuel d'utilisation	Pour réduire les risques de blessures, l'utilisateur doit lire et veiller à bien comprendre le manuel d'utilisation avant d'utiliser ce produit.
	Protection oculaire	Toujours porter une protection oculaire avec écrans latéraux certifiée conforme à la norme ANSI Z87.1.
	Symbole Mains à l'écart	Le non-respect de cette mise en garde peut entraîner des blessures graves.
	Avertissement concernant l'humidité	Ne pas exposer à la pluie ou l'humidité.
V	Volts	Tension
A	Ampères	Intensité
Hz	Hertz	Fréquence (cycles par seconde)
min	Minutes	Temps
~	Courant alternatif	Type de courant
n_0	Vitesse à vide	Vitesse de rotation à vide
	Construction de classe II	Construction à double isolation
.../min	Par minute	Tours, coups, vitesse périphérique, orbites, etc., par minute

CARACTÉRISTIQUES ÉLECTRIQUES

CORDONS PROLONGATEURS

Utiliser exclusivement des cordons prolongateurs à trois fils doté d'une fiche à prise de terre branchés sur une prise triphasée compatible avec la fiche de l'outil. Lors de l'utilisation d'un outil électrique à grande distance d'une prise secteur, veiller à utiliser un cordon prolongateur d'une capacité suffisante pour supporter l'appel de courant de l'outil. Un cordon de capacité insuffisante causerait une baisse de la tension de ligne, entraînant une perte de puissance et une surchauffe. Se reporter au tableau ci-dessous pour déterminer le calibre minimum de fil requis pour un cordon donné. Utiliser exclusivement des cordons à gaine ronde homologués par Underwriter's Laboratories (UL).

**Intensité nominale (sur la plaquette signalétique de l'outil)

Longueur du cordon	Calibre de fil (A.W.G.)					
	0-2,0	2,1-3,4	3,5-5,0	5,1-7,0	7,1-12,0	12,1-16,0
25'	16	16	16	16	14	14
50'	16	16	16	14	14	12
100'	16	16	14	12	10	—

**Utilisé sur circuit de calibre 12 – 20 A.

NOTE : AWG = American Wire Gauge

Pour les travaux à l'extérieur, utiliser un cordon prolongateur spécialement conçu à cet effet. La gaine des cordons de ce type porte l'inscription « W-A » ou « W ».

Avant d'utiliser un cordon prolongateur, vérifier que ses fils ne sont ni détachés ni exposés et que son isolation n'est ni coupée, ni usée.

AVERTISSEMENT :

Maintenir le cordon prolongateur à l'écart de la zone de travail. Lors du travail avec un cordon électrique, placer le cordon de manière à ce qu'il ne risque pas de se prendre dans les pièces de bois, outils et autres obstacles. Ne pas prendre cette précaution peut entraîner des blessures graves.

AVERTISSEMENT :

Vérifier l'état des cordons prolongateurs avant chaque utilisation. Remplacer immédiatement tout cordon endommagé. Ne jamais utiliser un outil dont le cordon d'alimentation est endommagé car tout contact avec la partie endommagée pourrait causer un choc électrique et des blessures graves.

CONNEXION ÉLECTRIQUE

Cet outil est équipé d'un moteur électrique de précision. Elle doit être branchée uniquement sur une **alimentation 120 V, c.a. (courant résidentiel standard), 60 Hz**. Ne pas utiliser cet produit sur une source de courant continu (c.c.). Une chute de tension importante causerait une perte de puissance et une surchauffe du moteur. Si l'outil ne fonctionne pas une fois branché, vérifier l'alimentation électrique.

VITESSE ET CÂBLAGE

La vitesse à vide de cet produit est d'environ 2 500 fpm. La vitesse n'est pas constante et elle diminue sous une charge ou en présence d'une baisse de tension. Le câblage de l'atelier est aussi important que la puissance nominale du moteur. Une ligne conçue seulement pour l'éclairage ne peut pas alimenter correctement le moteur d'un outil électrique. Un fil électrique d'une capacité suffisante pour une courte distance ne le sera pas nécessairement pour une distance plus longue. Une ligne dont la capacité est suffisante pour un outil électrique ne l'est pas nécessairement pour deux ou trois.

INSTRUCTIONS DE MISE À LA TERRE

Ce produit doit être fondé. En cas de problème de fonctionnement ou de panne, la mise à la terre fournit un chemin de résistance au courant électrique, pour réduire le risque de choc électrique. Cet produit est équipé d'un cordon électrique avec conducteur et fiche de mise à la terre. Le cordon doit être branché sur une prise correctement installée et mise à la terre conformément à tous les codes et réglementations locaux en vigueur.

Ne pas modifier la fiche fournie. Si elle ne peut pas être insérée dans la prise secteur, faire installer une prise adéquate par un électricien qualifié.

AVERTISSEMENT :

L'usage d'un cordon prolongateur incorrect peut présenter des risques de choc électrique. Si le cordon doit être réparé ou remplacé, ne pas connecter le fil de terre de l'outil sur une borne sous tension. Le fil à gaine verte, avec ou sans traceur jaune est le fil de terre.

Consulter un électricien qualifié ou le personnel de service si les instructions de mise à la terre ne sont pas bien comprises, ou en cas de doute au sujet de la mise à la terre.

Tout cordon endommagé doit être réparé ou remplacé immédiatement.

Ce produit est pour l'usage sur un nominal 120 circuit de volt et a un fonder bouche similaire au bouchon illustré dans la figure 1, page 17. Seulement connecter le produit à une sortie ayant la même configuration comme le bouchon. Ne pas utiliser un adaptateur avec ce produit.

CARACTÉRISTIQUES

FICHE TECHNIQUE

Largeur de la lame..... 3 mm à 10 mm (1/8 po à 3/8 po)
Longueur de la lame..... 157,5 cm (62 po)
Capacité entre la lame et le bâti..... 229 mm (9 po)
Hauteur de coupe maximale 92 mm (3-5/8 po)

CONNAISSEZ VOTRE SCIE À RUBAN

Voir la figure 2, page 17.

L'utilisation sûre de ce produit exige une compréhension des renseignements figurant sur l'outil et contenus dans le manuel d'utilisation, ainsi qu'une bonne connaissance du projet entrepris. Avant d'utiliser ce produit, se familiariser avec toutes ses fonctions et règles de sécurité.

BOUTON DE RÉGLAGE DE L'INCLINAISON

Permet d'incliner la table de la scie pour les coupes en biseau.

PROTÈGE-LAME

Protège l'utilisateur afin qu'il n'entre pas en contact avec la lame.

BOUTON DE RÉGLAGE DE GUIDE-LAME

Utilisez le bouton de réglage guide-lame pour ajuster l'ensemble de guide-lame le haut et vers bas et empêcher la lame de se tordre ou de se casser. Bloquez toujours l'ensemble de guide-lame supérieur avant de démarrer la scie à ruban.

GUIDES DE LAME

Les guides de lame inférieur et supérieur empêchent la torsion de la lame pendant le fonctionnement.

ORIFICE D'ÉVACUATION DE LA POUSSIÈRE

Cet orifice d'évacuation de la poussière de 63,5 mm (2-1/2 po) est prévu pour rendre le sciage exempt de poussière. Raccorder le sac à poussière ou un aspirateur d'atelier au trou d'évacuation de sciure.

LOQUET

Les loquet permettent d'ouvrir facilement le carter avant pour effectuer les réglages.

GUIDE D'ONGLET

Ce guide aligne le bois pour les coupes transversales. Le rapporteur montre l'angle exact pour la coupe de l'onglet à 90 et 45°.

Dimensions de la table

..... 298,4 mm x 298,4 mm (11-3/4 po x 11-3/4 po)
Alimentation..... 120 V~, 2,5 A, 60 Hz
Vitesse à vide 2 500 FPM (1 270 cm/s)
Orifice d'évacuation de la poussière 63,5 mm (2-1/2 po)

LEVIER DE TENSION DE LAME RAPID SET

Permet de contrôler la tension de la lame lors du remplacement de d'effectuer des réglages en fonction de l'application.

LAME DE SCIE

La scie est livrée avec une lame standard de 6,4 mm (1/4 po).

TABLE DE SCIE AVEC PASSE-LAME

La scie à ruban est équipée d'une table avec commande de l'inclinaison. Le passe-lame, pré-installé à l'usine, fournit un dégagement pour la lame

ÉCHELLE ET INDICATEUR D'ÉCHELLE

L'échelle et l'indicateur d'échelle montrent l'angle/les degrés de l'inclinaison de la table pour les coupes en biseau.

INTERRUPTEUR ET CLÉ D'INTERRUPTEUR

Votre scie à ruban possède un interrupteur facilement accessible. Pour verrouiller l'interrupteur en position « OFF » (arrêt), enlevez de l'interrupteur la clé d'interrupteur jaune. Placez la clé dans un endroit inaccessible aux enfants et autres personnes non qualifiées pour qu'ils ne puissent pas utiliser l'outil.

LEVIER DE VERROUILLAGE DE LA TABLE

Desserrez le levier de verrouillage de la table pour l'incliner à un angle différent. Resserrez cette manette de verrouillage pour bloquer la table.

BOUTON DE RÉGLAGE DU CENTRAGE

Permet de régler la lame au centre des volants.

HUBLOT DE VÉRIFICATION DU CENTRAGE

Le hublot de vérification du centrage permet de mieux observer les réglages du centrage.

ASSEMBLAGE

LISTE DES PIÈCES DÉTACHÉE

Voir la figure 4, page 18.

Les articles suivants sont inclus avec le scie :

No. de Pièce	Description	Qté.
A	Table de la scie.....	1
B	Guide d'onglet.....	1
C	Clé hexagonale de 2 mm.....	1
D	Clé hexagonale de 4 mm.....	1
E	Rondelle.....	1
F	Levier de verouillage de la table.....	1
	Manuel d'utilisation (non illustré).....	1

DÉBALLAGE

Ce produit doit être assemblé.

- Sortir soigneusement la scie du carton et la poser sur un plan de travail horizontal.

AVERTISSEMENT :

Ne pas utiliser le produit si, en le déballant, vous constatez que des éléments figurant dans la liste des pièces détachées sont déjà assemblés. Certaines pièces figurant sur cette liste n'ont pas été assemblées par le fabricant et exigent une installation. Le fait d'utiliser un produit qui a été assemblé de façon inadéquate peut entraîner des blessures.

- Examiner soigneusement l'outil pour s'assurer que rien n'a été brisé ou endommagé en cours de transport.
NOTE : Cette scie a été expédiée avec non tension de lame. Ne pas allumer cette scie jusqu'à ce que la tension de lame a été réglée convenablement.
- Ne pas jeter l'emballage avant d'avoir soigneusement examiné l'outil et vérifié qu'il fonctionne correctement.
- Si des pièces sont manquantes ou endommagées, téléphoner le 1-800-525-2579.

AVERTISSEMENT :

Si des pièces manquent ou sont endommagées, ne pas utiliser ce produit avant qu'elles aient été remplacées. Le fait d'utiliser ce produit même s'il contient des pièces endommagées ou s'il lui manque des pièces peut entraîner des blessures graves.

AVERTISSEMENT :

Ne pas essayer de modifier cet outil ou de créer des accessoires non recommandés pour cet outil. De telles altérations ou modifications sont considérées comme un usage abusif et peuvent créer des conditions dangereuses, risquant d'entraîner des blessures graves.

AVERTISSEMENT :

Ne pas brancher avant d'avoir terminé l'assemblage. Le non-respect de cet avertissement peut causer un démarrage accidentel, entraînant des blessures graves.

MONTAGE DE LA SCIE À RUBAN SUR UN ÉTABLI

Si la scie à ruban doit être utilisée dans un endroit définitif, la scie à ruban doit être montée solidement sur un plan de travail ferme, tel qu'un établi. Pour ce faire, la base de la scie comporte quatre trous. Les boulons doivent être assez longs pour traverser la base de la scie, les rondelles frein, les écrous et l'établi. Serrer les quatre boulons fermement.

Une fois le montage terminé, vérifier soigneusement l'établi pour s'assurer qu'aucun mouvement ne peut se produire en cours d'utilisation. Si l'établi bascule, glisse ou se déplace, l'assujettir sur le sol avant d'utiliser la scie.

- Placez la scie à ruban sur l'établi. Utilisez la base de la scie comme modèle pour établir l'emplacement des boulons et marquez les trous à l'endroit où la scie à ruban doit être montée.
- Percez trous dans l'établi.
- Placez la scie à ruban sur l'établi, en alignant les trous de la base avec les trous percés dans l'établi.
- Insérez boulons (non inclus) et serrez les bien en utilisant des rondelles de blocage et des écrous hex. (non inclus).
NOTE : Toutes les boulons doivent être insérées par le dessus. Montez des rondelles de blocage et des écrous en dessous de l'établi.

MONTAGE DE LA SCIE À RUBAN SUR UN ÉTABLI AVEC DES SERRE-JOINTS

Voir la figure 5, page 18.

Si la scie à ruban doit être transportée pour être utilisée à différents endroits, nous vous recommandons de la fixer de manière permanente sur un panneau de montage qui peut être facilement fixé à un établi ou à toute autre surface à l'aide de serre-joints. Le panneau de montage doit être suffisamment grand pour éviter le basculement de la scie lors de son utilisation. Nous vous recommandons d'employer un morceau de contre-plaqué ou d'aggloméré de bonne qualité de 19 mm (3/4 po) d'épaisseur.

Si vous utilisez des tire-fond, assurez-vous que leur longueur est suffisante pour traverser les trous de la base de la scie et le matériau sur laquelle est montée la scie. Si vous utilisez des vis à métaux, assurez-vous qu'elles sont assez longues pour traverser les trous de la base de la scie, le matériau sur lequel est monté la scie, les rondelles de blocage et les écrous hex.

NOTE : Il peut être nécessaire de faire un lamage pour que les rondelles et les écrous hex ne dépassent pas en dessous du panneau de montage.

ASSEMBLAGE

- Montez la scie sur le panneau en utilisant les trous de la base de la scie comme gabarit. Positionnez et marquez les trous à l'endroit où la scie à ruban doit être montée.
- Suivez les trois dernières étapes de la section intitulée **Montage de la scie à ruban sur un établi**, ci-dessus montré.

MONTAGE DE LA TABLE DE LA SCIE

Voir les figures 6 et 7, pages 18 et 19.

- Retirez l'écrou en D, rondelles, et l'vis à oreilles, retirez-les de celle-ci.
- En se tenant à l'avant de la scie, faire glisser la table au-delà de la lame et dans la fente, de la droite vers la gauche.
- Tenir la table de scie avec votre main gauche en tirant le bouton de réglage de l'inclinaison loin du bâti de la scie, aligner les dents sur le support de la table dans les dents sur le bouton de réglage de l'inclinaison. Relâchez le bouton .
- Ajuster les goupilles sur le bâti dans les fentes du support de la table.
- Mettez la rondelle sur l'extrémité filetée de la levier de verrouillage de la table. Serrez la table contre le bâti de la scie en tournant la levier de verrouillage de la table dans le sens horaire, comme pour une clé à rochet.
- Installer l'écrou en D, avec sa rondelles et son vis à oreilles.
NOTE : Mettez l'vis à oreilles en dessous de la table de la scie.

MISE À L'ÉQUERRE DE LA TABLE PAR RAPPORT À LA LAME

Voir les figures 8 et 9, page 19.

- Tourner le bouton de verrouillage vers la gauche pour déverrouiller le guide de lame. Tourner le bouton de réglage de guide lame vers la droite pour relever ce dernier au maximum. Tourner le bouton de verrouillage vers la droite pour resserrer le guide.
- Placez une petite équerre à combinaisons sur la table à côté de la lame.
- Desserrer le levier de verrouillage de table et utiliser le bouton de réglage d'angle afin d'incliner la table vers le haut ou vers le bas et l'aligner à 90° par rapport à la lame (position 0°). Resserrer le levier de verrouillage de table.
- À l'aide d'une clé à molette, desserrer le contre-écrou.
- Tourner le boulon de réglage jusqu'à ce que le boulon touche tout juste le boîtier de la scie.
- Vérifiez la perpendicularité de la table de la scie par rapport à la lame. Retouchez le réglage si nécessaire.
- Une fois perpendicularité de la table de la scie est confirmé, resserre le contre-écrou.

- Aligned l'indicateur d'échelle avec le zéro et serrer la vis avec tournevis Phillips.

NOTE : Toujours effectuer une coupe d'essai pour assurer le l carré de la lame avant commencer le nouveau projet. **!** Si pas le carré, ce peut être nécessaire de desserrer les vis sous la table de scie pour faire l'ajustement (fente d'onglet doit être parallèle à la lame de scie). Une fois le carré, resserrer des vis.

RÉGLAGE DE LA TENSION DE LA LAME

Voir les figures 10 et 11, pages 19 et 20.

- Enlevez la clé de l'interrupteur.
- Avant d'utiliser la scie à ruban, tournez le bouton de réglage de la tension de la lame dans le sens horaire pour tendre la lame.
NOTE : Les réglages de la tension de la lame peuvent être faits à n'importe quel moment.
- Pincez le bord droit arrière du côté du retour à l'opposé des lame de scie tout en tournant le.

Le son devient plus aigu au fur et à mesure que la tension augmente. Ne tendez jamais la lame à un point tel que le ressort est complètement comprimé. Lorsqu'il est complètement comprimé, le ressort ne peut plus agir comme amortisseur.

Un excès de tension peut provoquer la rupture de la lame. Les pièces plus épaisses exigent la plus haute tension ; la tension maximum n'est pas eu besoin de pour toutes les coupes. Une tension trop faible peut entraîner un glissement de la lame sur les volants.

CENTRAGE DE LA LAME

Voir la figure 11, page 20.

La tension de la lame doit être correctement ajustée avant d'effectuer le centrage de la lame. Vérifiez que les guide-lame ne seront pas en contact avec la lame. Creux de lame (la partie la plus profonde de la dent de lame) devrait être au centre du bandage.

Réglage :

- Ouvrez le carter avant en dégageant les loquets inférieur et supérieur. Surveillez, par le hublot, la position de la lame sur le bandage supérieur, et à la main, dans le sens horaire, le volant supérieur. Si la lame ne reste pas au milieu du bandage, le centrage doit être ajusté.

Si la lame se déplace à gauche ou à droite du centre :

- Tournez le bouton de réglage du centrage (dans le sens horaire si la lame s'est déplacée vers la gauche ou dans le sens antihoraire si elle s'est déplacée vers la droite) tout en faisant tourner le volant à la main, jusqu'à ce la lame revienne et se maintienne au centre du bandage.
- Vérifiez la position de la lame sur le bandage inférieur. La lame doit être complètement sur le bandage (creux des dents de lame au centre). Si ce n'est pas le cas, ajustez le centrage jusqu'à ce la lame soit sur les deux bandages.

ASSEMBLAGE

- Faites encore tourner le volant supérieur à la main de quelques tours dans le sens horaire. Assurez-vous que la lame reste au même endroit sur les bandages. Refaites le réglage si nécessaire jusqu'à ce que la lame soit correctement centrée.
- Refermez bien le carter avant et resserrez la loquet.
- Tourner le scie.
- Vérifier la lame de scie est centrée sur le bandage (par la hublot de vérification du centrage). Si pas centré, repita los pasos anteriores.

AVERTISSEMENT :

Les guide-lame ont été réglés à l'usine. Ces réglages sont fonctionnels pour certaines applications. Nous vous recommandons de vérifier et de régler les protège-lame avant l'emploi initial de la scie. Reportez-vous aux méthodes : **Réglage des roulements d'appui et du support de guide-lame** expliquées dans la section **RÉGLAGES** du manuel de l'utilisateur.

UTILISATION

AVERTISSEMENT :

Le fait d'être familier avec les outils ne devrait faire oublier la prudence. Une fraction de seconde d'inattention suffit pour entraîner des blessures graves.

AVERTISSEMENT :

Toujours porter une protection oculaire avec écrans latéraux certifiée conforme à la norme ANSI Z87.1. Si cette précaution n'est pas prise, des objets peuvent être projetés dans les yeux et causer des lésions graves.

AVERTISSEMENT :

Ne pas utiliser d'outils ou accessoires non recommandés pour cet outil. L'utilisation de pièces et accessoires non recommandés peut entraîner des blessures graves.

AVERTISSEMENT :

Pour éviter tout contact avec la lame, réglez l'ensemble de guide-lame juste au-dessus de la pièce. Le non-respect de cet avertissement peut entraîner des blessures graves.

AVERTISSEMENT :

Ne faites jamais fonctionner la scie sans le protège-lame et les couvercle avant ont verrouillée. Sinon, des blessures graves pourraient en résulter.

APPLICATIONS

Cet outil peut être utilisé pour les applications ci-dessous :

- Découpage de formes et de cercles dans le bois et les produits dérivés du bois.
- La diverse ligne droite coupant des opérations dans le bois et les produits dérivés du bois.

PRINCIPES DE FONCTIONNEMENT DE LA SCIE À RUBAN

Une scie à ruban est, dans son principe, une machine qui permet de couper des pièces courbes. Elle peut également être utilisée pour effectuer des opérations de coupes droites comme la coupe en travers, la coupe en onglet et en biseau, la coupe à angles combinés et la refente. En utilisant la scie à ruban a vu pour la de couper des pièces courbes, l'utilisateur peut installer une guide utilisant un a calibré avec à-propos le morceau de bois serré à la table avec les serre-joints de « C ». Elle ne peut pas être utilisée pour effectuer des coupes intérieures ou ne débouchant pas.

Avant de démarrer la coupe, observez la scie tourner. Si vous remarquez une vibration excessive ou un bruit anormal, arrêtez-vous immédiatement. Arrêtez la scie et enlevez la clé de l'interrupteur. Débranchez la scie. Ne redémarrez pas la scie avant d'avoir trouvé et corrigé le problème.

TECHNIQUES DE SCIAGE

- Maintenez fermement la pièce contre la table.
- Utilisez une poussée modérée et les deux mains pour guider la pièce dans la lame. **Ne pas** forcez la pièce, mais laissez le temps à la lame de couper.
- Le plus petit diamètre de cercle qui peut être coupé est déterminé par la largeur de la lame. Une lame de 6 mm (1/4 po) de largeur pourra couper selon un diamètre minimum d'environ 38,1 mm (1-1/2 po). Une lame de 3 mm (1/8 po) de largeur pourra couper selon un diamètre minimum d'environ 13 mm (1/2 po).
- Vos mains doivent rester éloignées de la lame. Ne pas maintenez à la main des pièces trop petites qui exigeraient que vous mettiez vos doigts en dessous du protège-lame.
- Évitez les opérations et les positions de mains malaisées où un glissement soudain peut provoquer des blessures grave spar contact avec la lame. Ne placez jamais les mains dans la trajectoire de la lame.
- Utilisez des supports supplémentaires (tables, chevalets, blocs, etc.) lors de la coupe de grandes pièces, de pièces petites ou peu commodes.

UTILISATION

- Ne demandez jamais à une personne de remplacer une rallonge de table ou un support supplémentaire pour une pièce qui est plus longue ou plus large que la table de la scie.
- Lorsque vous coupez des pièces ayant des formes irrégulières, planifiez votre travail de manière à ce que la lame ne soit pas pincée. Par exemple, un morceau de moulure doit être mis à plat sur la table. Les pièces ne doivent pas se tordre, basculer ni glisser lors de la coupe. Lorsque vous reculez dans la pièce, la lame peut se coincer dans le trait de scie. Ceci est normalement provoqué par de la sciure obstruant le trait de scie ou parce que la lame est sortie de ses guides. Si cela se produit :
- Mettez l'interrupteur à la position « **OFF** » (**ARRÊT**). Attendez que la scie soit complètement arrêtée et puis retirez la clé d'interrupteur de l'ensemble d'interrupteur. Rangez la clé dans un endroit sûr.
- Débranchez la scie.
- Ouvrez le trait de scie à l'aide d'un tournevis à lame plate ou d'un coin en bois.
- Ouvrez le carter avant et tournez le volant supérieur à la main tout en reculant la pièce.

COUPES DE DÉGAGEMENT

Effectuez des coupes de dégagement pour couper une courbe ayant un rayon trop petit pour la lame. Une coupe de dégagement est effectuée en coupant à travers la chute de la pièce pour infléchir la ligne de coupe et en reculant avec précautions la lame. Effectuez plusieurs coupes de dégagement pour une courbe serrée, puis suivez la ligne de coupe au fur et à mesure que des sections sont enlevées et qu'elles relâchent la pression sur la lame.

CHANTOURNAGE

Pour un chantournage de type général, suivez la ligne de coupe en poussant et en tournant la pièce en même temps. N'essayez pas de tourner la pièce, la lame étant engagée, sans la pousser; la pièce pourrait coincer ou tordre la lame.

ENLÈVEMENT DE MATÉRIAU COINCÉ

N'enlevez jamais des chutes coincées tant que la lame n'est pas complètement arrêtée.

- Mettez l'interrupteur à la position « **OFF** » (**ARRÊT**). Attendez que la scie soit complètement arrêtée et puis retirez la clé d'interrupteur de l'ensemble d'interrupteur. Rangez la clé dans un endroit sûr.
- Débranchez la scie avant de retirer tout matériau coincé.

ÉVITEZ LES BLESSURES

- Assurez-vous que la scie est de niveau et ne bascule pas. Mettez toujours la scie sur une surface stable et de niveau avec suffisamment de place tout autour, permettant de manipuler et de soutenir la pièce correctement.
- Boulonnez la scie sur la surface portante pour éviter qu'elle ne glisse ou qu'elle ne se déplace pendant des

opérations comme la coupe de planches longues et lourdes.

- **ARRÊTEZ** la scie, enlevez la clé de l'interrupteur et débranchez la machine avant de la déplacer.
- No retire piezas de corte atascado hasta que la cuchilla ha llegado a un punto final y completa.
- Choisissez la bonne dimension et le bon type de lame pour le matériau et le type de coupe que vous voulez effectuer.
- Assurez-vous que les dents de la scie sont dirigées vers le bas, en direction de la table, que les guide-lame, les roulements d'appui et la tension de la lame sont correctement ajustés, que le bouton de guide-lame est serré et qu'aucune pièce n'a un jeu excessif.
- Ajustez toujours l'ensemble de guide-lame juste au-dessus de la pièce pour éviter un contact accidentel avec la lame, réduire le risque de rupture de la lame et fournir un support maximum à la lame.
- N'utilisez que des accessoires recommandés.
- Enlevez tout ce qui se trouve sur la table sauf la pièce et les supports qui sont utilisés avant de mettre la scie en marche.
- Soutenez correctement les matériaux ronds comme les tiges pour les chevilles ou les tubes. Ces pièces ont tendance à rouler pendant la coupe, provoquant un engagement de la lame. Pour éviter ceci, utilisez toujours un vé ou maintenez la pièce sur le guide d'onglet avec un serre-joint.
- Avant d'enlever des chutes de la table de la scie, mettez la scie à l'arrêt et attendez que toutes les pièces mobiles s'arrêtent.

VERROUILLAGE DE L'ENSEMBLE D'INTERRUPTEUR

Voir la figure 12, page 20.

- Mettez l'interrupteur à la position « **OFF** » (**ARRÊT**). Attendez que la scie soit complètement arrêtée et puis retirez la clé d'interrupteur de l'ensemble d'interrupteur. Rangez la clé dans un endroit sûr.

AVANT DE QUITTER LA SCIE

Voir la figure 12, page 20.

- Mettez l'interrupteur à la position « **OFF** » (**ARRÊT**). Attendez que la scie soit complètement arrêtée et puis retirez la clé d'interrupteur de l'ensemble d'interrupteur. Rangez la clé dans un endroit sûr.
- Débranchez la scie.
- Sécurisez l'atelier pour les enfants.
- Relâcher la tension de la lame de scie qui utilise le RAPID SET le levier la tension de la lame de lame pour prolonger la scie de la lame.
- Verrouillez l'atelier.

UTILISATION

INCLINAISON DE LA TABLE

Voir figure 13, page 20.

- Desserrez légèrement la levier de verrouillage la table.
- Tournez le bouton de réglage de l'inclinaison vers du table de la scie jusqu'à obtention de l'angle voulu.
- En utilisant l'indicateur de l'échelle, vérifiez les indications d'angle.
- Resserrez la bouton de verrouillage du plateau pour que la table soit bien fixée en place.

UTILISATION DU GUIDE D'ONGLET

Voir les figures 14 et 15, page 20.

Le guide d'onglet peut être tourné jusqu'à 30° à droite et à gauche.

- Desserrez le bouton de verrouillage du guide d'onglet.
- Le guide d'onglet étant placé dans la rainure de guide d'onglet, tournez le guide d'onglet jusqu'à l'angle voulu sur l'échelle.
- Resserrez le bouton de verrouillage.

RÉGLAGES

AVERTISSEMENT :

Avant d'effectuer tout réglage, s'assurer que l'outil est débranché et que son commutateur est en position d'arrêt (off). Le non-respect de cet avertissement pourrait entraîner des blessures graves.

AVERTISSEMENT :

Pour éviter de vous blesser, la lame doit être correctement tendue, les réglage du centrage, les guide-lames et les roulements d'appui correctement réglés.

MONTAGE ET RÉGLAGE DE LA LAME

Voir la figure 16, page 21.

- Desserrez l'vis à oreilles, rondelles et le écrou en D de la table de scie.
- Ouvrez les carters avant en dégageant les loquets inférieur et supérieur.
- Tournez le levier de verrouillage dans le sens antihoraire pour débloquer l'ensemble de guide-lame. En tournant le bouton de guide-lame (dans le sens horaire pour relever l'ensemble de guide-lame; ou dans le sens antihoraire pour l'abaisser), positionnez l'ensemble de guide-lame à mi-chemin entre la table de la scie et le carter de la scie. Resserrez le levier de verrouillage.
- Ouvrir le protège-lame en retirant le côté gauche du garde et loin de la roue.
- Relâcher toute la tension contre de la lame.

- Enlevez l'ancienne lame avec précaution.
- En portant des gants, déroulez soigneusement la lame en la tenant à bout de bras. Si la nouvelle lame a été graissée pour éviter la rouille, vous devrez l'essuyer pour éviter que l'huile ne se dépose sur vos pièces. Essuyez soigneusement la lame dans la direction des dents de manière à ce que le chiffon ne s'agrippe pas dans les dents de la lame.

NOTE : Il se peut que vous ayez besoin de retourner la lame de scie si les dents ne sont pas dirigées dans la bonne direction. Maintenez la lame avec les deux mains et faites-la pivoter vers l'intérieur.

- Les dents de la lame se dirigeant vers gauche de la scie et vers le bas, placez la lame dans les guide-lame inférieurs situés en-dessous de la table et autour du volant inférieur.
- Faites tourner lentement le volant supérieur à la main vers la droite ou dans le sens horaire pour centrer la lame sur les bandages en caoutchouc.
- Ajustez la tension de la lame; vérifiez ou ajustez son centrage et levier de tension de lame RAPID SET pour le réengager.
- Ajustez les guide-lame inférieur et supérieur ainsi que les roulements d'appui comme expliqué plus tard dans ce manuel d'utilisation.
- Remontez le vis à oreilles, les rondelles et l'écrou en D. Serrez-le bien.
- Fermez le protège-lame et les carters avant. Loquet.

RÉGLAGES

RÉGLAGE DE L'ENSEMBLE DE GUIDE-LAME

Voir les figures 17 et 18, page 21.

L'ensemble de guide-lame doit toujours être réglé à environ 3 mm (1/8 po) au-dessus de la surface supérieure de la pièce à couper pour empêcher la lame de tourner ou de se casser.

- Tournez le levier de verrouillage dans le sens antihoraire ou vers la gauche pour déverrouiller l'ensemble de guide-lame.
- Utilisez une chute du morceau de bois que vous allez couper comme guide pour régler la hauteur de l'ensemble de guide-lame. Ajustez l'ensemble du guide-lame en tournant le bouton de guide-lame.
- Verrouillez l'ensemble de guide-lame en place en tournant le levier de verrouillage vers la droite.
- Verrouillez toujours l'ensemble de guide-lame avant de mettre la scie à ruban en marche.

RÉGLAGE DE SUPPORT DE GUIDE-LAME ET ROULEMENTS D'APPUI

Voir la figure 19, page 22.

NOTE: Serrez bien la bouton de verrouillage et reportez-vous aux méthodes : **Réglage de La Tension de la Lame** et **Centrage de la Lame** roulements d'appui, du support de guide-lame et des guides de la lame » expliquées dans la section *ASSEMBLAGE* du manuel de l'utilisateur avant d'effectuer tout réglage.

Les roulements d'appui supérieur et inférieur et guide à roulement soutiennent la lame pendant la coupe. Le réglage des roulements et guide à roulement doit être vérifié à chaque fois qu'une lame différente est installée.

Réglage des roulements d'appui :

Les roulements d'appui servent à soutenir le bord arrière de la lame lors de la coupe. La lame ne doit pas être en contact

avec les roulements lorsqu'on ne coupe pas. Il est important que les deux roulements soient ajustés à la même distance.

- Ouvrir les couvercles de avant et protège-lame.
- En utilisant la clé hex., desserrez la vis du roulement supérieur et inférieur d'appui et la poussée à roulement d'appui à l'arrière de la scie.
- Vérifier cette lame de scie d'alignement correctement, alors glisser le roulement de d'appui en avant jusqu'à ce que le rapport est dans 0,4 mm (1/64 po) de la lame. Serrer fermement le vis de roulement de d'appui.
- Glisser abaisse roulement inférieur jusqu'à ce qu'il a le dégagement suffisant. Serrer fermement le vis de roulement de d'appui.

Réglage du support de guide-lame :

- Desserrez la vis de guide-lame située sur la droite de l'ensemble de guide-lame en utilisant la clé hex.
 - Faites glisser le support de guide-lame supérieur sur l'axe jusqu'à ce que le bord avant guides contacter la lame de scie derrière creux. Serrez bien la vis.
 - Pousser le guide droit pour contacter la lame et le relâchement. Lentement tourner la roue une rotation pleine. Serrer vis d'arrêt de guide-lame.
 - Ajuster le guide à gauche latéral pour permettre 0,4 mm (1/64 po) le dégagement entre la lame et le guide (de l'épaisseur d'un billet d'un dollar) en insérant le billet d'un dollar entre le guide et la lame gauche.
 - Appliquer de la pression pour partir l'épingle de guide pour tenir le billet d'un dollar à sa place. Serrer vis d'arrêt et enlever le billet d'un dollar.
 - Tourner, à la main, un plein trois rotation pour assurer que la lame ne liera pas.
 - Fermez le protège-lame et les carters avant. Loquet.
- Répétez cette méthode pour le support de guide-lame inférieur.

ENTRETIEN

AVERTISSEMENT :

Utiliser exclusivement des pièces identiques à celles d'origine pour les réparations. L'usage de toute autre pièce pourrait créer une situation dangereuse ou endommager l'outil.

AVERTISSEMENT :

Toujours porter une protection oculaire certifiée conforme à la norme ANSI Z87.1 lors de l'utilisation de produit. Si une opération dégage de la poussière, porter également un masque anti-poussière.

AVERTISSEMENT :

Avant d'effectuer tout entretien, assurez-vous que la outil est débranchée et que le commutateur est en position arrêt. Le non-respect de cette règle peut occasionner de graves blessures.

ENTRETIEN GÉNÉRAL

Éviter d'utiliser des solvants pour le nettoyage des pièces en plastique. La plupart des matières plastiques peuvent être endommagées par divers types de solvants du commerce. Utiliser un chiffon propre pour éliminer la saleté, la poussière, l'huile, la graisse, etc.

AVERTISSEMENT :

Ne jamais laisse de liquides tels que le fluide de freins, l'essence, les produits à base de pétrole, les huiles pénétrantes, etc., entrer en contact avec les pièces en plastique. Les produits chimiques peuvent endommager, affaiblir ou détruire le plastique, ce qui peut entraîner des blessures graves.

- Gardez propre votre scie à ruban.
- Enlevez souvent la sciure de l'intérieur.
- Ne laissez pas la résine s'accumuler sur la table de la scie, les guide-lame ou les roulements d'appui. Nettoyez-les à l'aide d'un produit pour la gomme et la résine.
- Appliquez une fine couche de cire de type automobile sur le dessus de la table de manière que le bois glisse facilement lors de la coupe.

LUBRIFICATION

Tous les roulements de cet outil sont garnis d'une quantité de graisse de haute qualité, suffisante pour la durée de vie de l'outil, dans des conditions d'utilisation normales. Aucune autre lubrification n'est donc nécessaire.

MOTEUR, ÉQUIPEMENT ÉLECTRIQUE.

- Passez fréquemment l'aspirateur ou un jet d'air comprimé sur le moteur pour enlever la sciure.

BANDAGES

Nettoyage des bandages:

- La résine et la sciure qui s'accumulent sur les bandages doivent être enlevées en utilisant une brosse métallique fine ou un morceau de bois. N'utilisez pas un couteau pointu ou toute sorte de solvant.

Remplacement des bandages:

- Ouvrez le carter avant et retirez la lame de la scie. Consultez la section intitulée **Montage et réglage de la lame**, à la page 13.
- Enlevez soigneusement le bandage usé du volant.
- Étirez les nouveaux bandages autour de chaque volant.
- Remettez la lame de la scie et refermez bien le carter avant.

BROSSE

Voir la figure 21, page 22.

Une brosse est située à l'intérieur du carter de la scie, à proximité du volants. Elle aide à protéger le bandage et le volant en enlevant la sciure. Lorsque la brosse s'use, elle doit être réglée ou remplacée.

- Retirez la vis et rondelle puis enlevez la brosse.
- Placez une brosse neuve dans la rainure.
- Remettez la vis et rondelle et serrez cette dernière.

NOTE : FIGURES (ILLUSTRATIONS) COMMENÇANT SUR 17 DE PAGE APRÈS LES SECTIONS ESPAGNOL.

RECHERCHE DE PANNES

PROBLÈME	CAUSE PROBABLE	SOLUTION
Le moteur ne pas fonctionne.	<ol style="list-style-type: none"> 1. Problème dû à l'interrupteur ou au cordon d'alimentation. 2. Moteur défectueux. 3. Lame lie. 	<ol style="list-style-type: none"> 1. Faites remplacer les pièces usées avant d'utiliser la scie à nouveau. 2. N'essayez pas de réparer. Faites réparer par un technicien d'entretien qualifié. 3. Déblocage de chutes.
La lame ne se place pas à peu près au centre du volant supérieur.	<ol style="list-style-type: none"> 1. Le centrage n'est pas correct. 	<ol style="list-style-type: none"> 1. Réglez le centrage. Voir au chapitre des <i>Assemblage</i> : Centrage de la lame. 2. Les réparations doivent être confiées à un technicien qualifié.
La scie à ruban ralentit lors coupe.	<ol style="list-style-type: none"> 1. Coupe d'un rayon trop petit. 2. Lame usée. 	<ol style="list-style-type: none"> 1. Arrêtez de pousser sur le matériau et reculez-le légèrement jusqu'à ce que la vitesse augmente. 2. Remplacez la lame.
Les lames cassent.	<ol style="list-style-type: none"> 1. Lame trop tendue. 2. Déformation de la lame provoquée par la coupe d'un rayon trop petit ou par le fait que le matériau est tourné trop rapidement lors de la coupe. 3. Roulements d'appui bloqués ou ne tournant pas. 	<ol style="list-style-type: none"> 1. Réglez la tension. Voir au chapitre des <i>Assemblage</i> : Réglage de la tension de la lame. 2. Utilisez la technique de coupe correcte. Voir le paragraphe : <i>Fonctionnement.</i> 3. Remplacez les roulements d'appui.
La scie est bruyante lorsqu'elle fonctionne.	<ol style="list-style-type: none"> 1. Lame trop tendue. 2. Les guide-lame les roulements d'appui sont en contact avec la lame. 	<ol style="list-style-type: none"> 1. Réglez la tension. Voir au chapitre des <i>Assemblage</i> : Réglage de la tension de la lame. 2. Ajustez les guide lame supérieurs et inférieurs et les roulements. Voir au chapitre des <i>Réglages</i> : Réglage de support de guide-lame et roulements d'appui.
La lame ne coupe pas droit.	<ol style="list-style-type: none"> 1. Guide-lame roulements d'appui non réglés correctement. 2. Lame usée ou défectueuse. 	<ol style="list-style-type: none"> 1. Ajustez les guide lame supérieurs et inférieurs et les roulements. Voir au chapitre des Réglages: Réglage de support de guide-lame et roulements d'appui. 2. Remplacez la lame.
Les guide-lame ne pas restent en position.	<ol style="list-style-type: none"> 1. Les vis de guide-lame sont desserrées. 	<ol style="list-style-type: none"> 1. Serrez bien les vis de guide-lame.
Le moteur court mais la lame ne pas tourne	<ol style="list-style-type: none"> 1. Tension pas série correctement. 2. La courroie d'entraînement cassée. 	<ol style="list-style-type: none"> 1. Levier de Tension de Lame RAPID SET d'usage pour régler la tension.. 2. Les réparations doivent être confiées à un technicien qualifié.

ÍNDICE DE CONTENIDO

■ Introducción.....	2
■ Garantía	2
■ Reglas de seguridad generales	3-4
■ Reglas de seguridad específicas.....	4-5
■ Símbolos.....	6
■ Aspectos eléctricos	7
■ Características.....	8
■ Armado	9-11
■ Funcionamiento	11-13
■ Ajustes.....	13-14
■ Mantenimiento.....	15
■ Reparación de averías.....	16
■ Figura numeradas (ilustraciones).....	17- 22
■ Pedidos de piezas / servicio.....	Pág. posterior

INTRODUCCIÓN

Esta herramienta ofrece numerosas características para hacer más agradable y placentero su uso. En el diseño de este producto se ha conferido prioridad a la seguridad, el desempeño y la fiabilidad, por lo cual se facilita su manejo y mantenimiento.

GARANTÍA

HERRAMIENTAS ELÉCTRICAS RYOBI® – GARANTÍA LIMITADA DE TRES AÑOS Y POLÍTICA DE INTERCAMBIO A LOS 90 DÍAS

One World Technologies, Inc., garantiza sus herramientas eléctricas con las siguientes condiciones:

POLÍTICA DE INTERCAMBIO A LOS 90 DÍAS: Durante los primeros 90 días a partir de la fecha de compra, usted puede solicitar servicio al amparo de esta garantía o puede intercambiar cualquier herramienta eléctrica RYOBI® que no funcione correctamente debido a defectos en los materiales o en la mano de obra, devolviéndola en el establecimiento donde la adquirió. Para recibir la herramienta eléctrica de reemplazo o el servicio de garantía solicitado, debe presentar documentación de prueba de la compra, y devolver el equipo original empaquetado con el producto original. La herramienta eléctrica de reemplazo queda cubierta por la garantía limitada por el resto del período de garantía de tres años a partir de la fecha de la compra original.

LO QUE CUBRE ESTA GARANTÍA: Esta garantía cubre todos los defectos en material y en mano de obra empleados en la herramienta eléctrica RYOBI® por un período de tres años a partir de la fecha de compra. Con excepción de las pilas, los accesorios de las herramientas eléctricas están garantizados por noventa (90) días. Las pilas están garantizadas por tres años.

FORMA DE OBTENER SERVICIO: Simplemente envíe la herramienta eléctrica debidamente empaquetada y con el flete pagado por anticipado a un centro de servicio autorizado. Puede obtener información sobre la ubicación del centro de servicio autorizado más cercano escribiendo a One World Technologies, Inc., P.O. Box 1207, Anderson, SC 29622-1207, USA, llamando al 1-800-525-2579 o dirigiéndose al sitio en Internet, www.ryobitools.com. Al solicitar servicio al amparo de la garantía, debe presentar documentación de prueba de la compra que incluya la fecha de ésta (por ejemplo un recibo de venta). Repararemos toda mano de obra deficiente del producto, y repararemos o reemplazamos cualquier pieza defectuosa, a nuestra sola discreción. Lo hacemos sin cargarle ningún costo al consumidor. Efectuamos el trabajo en un período de tiempo razonable, pero en todo caso en menos de noventa (90) días.

LO QUE NO ESTÁ CUBIERTO: Esta garantía se ofrece exclusivamente al comprador original al menudeo y no puede transferirse. Esta garantía sólo cubre defectos que aparezcan en el uso normal de la herramienta y no cubre ningún malfuncionamiento, falla o defecto producido por el uso indebido, maltrato, negligencia, alteración, modificación o reparación efectuada por terceros diferentes de los centros de servicio autorizados. One World Technologies, Inc. no ofrece ninguna garantía, declaración o promesa en relación con la calidad o el desempeño de sus herramientas eléctricas más que las señaladas específicamente en esta garantía.

LIMITACIONES ADICIONALES: Toda garantía otorgada de conformidad con las leyes estatales, incluidas las garantías de comerciabilidad o idoneidad para un uso en particular, está limitada a tres años a partir de la fecha de compra. One World Technologies, Inc. no es responsable de daños directos, indirectos o incidentales, por lo tanto es posible que las limitaciones y exclusiones descritas arriba no se apliquen en el caso de usted. Esta garantía le confiere derechos legales específicos, y es posible que usted goce de otros derechos, los cuales pueden variar de estado a estado.

REGLAS DE SEGURIDAD GENERALES

ADVERTENCIA:

Lea y comprenda todas las instrucciones. El incumplimiento de las instrucciones señaladas abajo puede causar descargas eléctricas, incendios y lesiones serias.

LEA TODAS LAS INSTRUCCIONES

- **CONOZCA SU HERRAMIENTA MECANICA.** Lea cuidadosamente el manual del operador. Aprenda los usos, limitaciones y posibles peligros relacionados con esta herramienta.
- **PROTEJASE CONTRA CHOQUE ELECTRICO** evitando contacto del cuerpo con las superficies puestas a tierra. Por ejemplo: tubos, radiadores, estufas y cajas de refrigeradores.
- **MANTENGA LOS PROTECCIONES EN SU LUGAR** y en buen estado de funcionamiento.
- **SAQUE LAS LLAVES DE AJUSTE Y LLAVES INGLESAS.** Acostúmbrase a verificar si las llaves hexagonales o las llaves de ajuste han sido retiradas de la sierra antes de ponerla en funcionamiento.
- **MANTENGA EL AREA DE TRABAJO LIMPIA.** Una mesa o zona de trabajo mal despejada es causa común de accidentes. **NO** deje herramientas o piezas de madera en la sierra mientras esté funcionando.
- **EVITE TODOS LOS AMBIENTES PELIGROSOS.** No use herramientas mecánicas cerca de gasolina u otros líquidos inflamables, en lugares mojados o húmedos o donde estén expuestas a la lluvia. Mantenga el lugar de trabajo bien iluminado.
- **MANTENGA A LOS NIÑOS Y A LOS ESPECTADORES ALEJADOS.** Todos los espectadores deben usar lentes de seguridad y ser mantenidos a una distancia prudente del área de trabajo.
- **MANTENGA A LOS NIÑOS ALEJADOS DEL TALLER** colocando candados, interruptores maestros o retirando las llaves de puesta en marcha.
- **NO FUERCE LA HERRAMIENTA.** El trabajo quedará hecho mejor y de manera más segura si la herramienta trabaja a la velocidad a la cual fué diseñada.
- **USE LA HERRAMIENTA CORRECTA.** No fuerce a una herramienta o a un accesorio que haga el trabajo de una herramienta de servicio pesado.
- **USE EL CORDON DE EXTENSION APROPIADO.** Asegúrese de que su cordón de extensión esté en buen estado. Cuando use un cordón de extensión, asegúrese de que su diámetro sea suficiente para portar la corriente que necesita su herramienta. Un cordón de calibre inferior causará una pérdida en el voltaje de línea resultando en pérdida de potencia y sobrecalentamiento. Se recomienda un cordón de por lo menos calibre **16** (A.W.G.) para un cordón de extensión de 25 pies o menos de largo. Si tiene dudas, use el siguiente calibre de un diámetro mayor. Mientras más pequeño es el número del calibre, mayor es el diámetro del cordón.
- **USE ROPA ADECUADA.** No use ropa holgada, guantes flojos, corbata ni alhajas. Podrían engancharse y tirar

de usted hacia partes en movimiento. Se recomiendan guantes y calzado antiderrapantes al trabajar al aire libre. Si tiene el pelo largo, cúbrase para que quede recogido..

- **USE SIEMPRE LENTES PROTECTORES CON PROTECCION LATERAL.** Los anteojos regulares tienen solamente lentes resistentes al impacto; ellos **NO** son lentes de seguridad.
- **SUJETE EL TRABAJO.** Use mordazas o un tornillo de banco para sujetar el trabajo cuando sea práctico. Es más seguro que usar su mano y le deja ambas manos libres para utilizar la herramienta.
- **NO USE LA HERRAMIENTA A UNA DISTANCIA DE MASIADO ALEJADA.** Mantenga siempre un buen equilibrio y una posición firme.
- **MANTENGA BIEN CUIDADAS LAS HERRAMIENTAS.** Mantenga las herramientas afiladas en todo momento y limpias para un rendimiento mejor y más seguro. Siga las instrucciones de lubricación y de cambio de accesorios.
- **DESCONECTE LAS HERRAMIENTAS.** Cuando no estén en uso, antes del servicio o cuando cambia accesorios, hojas, brocas, fresas, etc., todas las herramientas deben de estar desconectadas de la fuente de alimentación.
- **EVITE UN ARRANQUE ACCIDENTAL DE LA UNIDAD.** Antes de conectar la herramienta a la corriente, compruebe que el interruptor esté en posición de apagado.
- **USE LOS ACCESORIOS RECOMENDADOS.** Consulte el manual del usuario para los accesorios recomendados. El uso de accesorios inapropiados puede causar una lesión personal grave.
- **NUNCA SE PARE SOBRE LA HERRAMIENTA.** Se puede producir una lesión grave si la herramienta se vuelca o si se toca involuntariamente la hoja.
- **INSPECCIONE DE PIEZAS DAÑADAS.** Antes de seguir utilizando la herramienta, inspeccione para determinar si algún protector o cualquier pieza que esté dañada funcionará debidamente. Verifique el alineamiento de las piezas móviles, si están atascadas o si hay rotura de piezas, revise además el montaje y cualquier otro estado que pueda afectar su funcionamiento. Si se daña un protector o cualquier otra pieza debe ser reparada o reemplazada en un centro de servicio autorizado a fin de evitar riesgo de sufrir una lesión corporal.
- **AVANCE LA PIEZA DE TRABAJO EN LA DIRECCIÓN CORRECTA.** Alimente la pieza de trabajo hacia la hoja o fresa, contra la dirección o rotación de la hoja o fresa.
- **NUNCA DEJE LA HERRAMIENTA DESATENDIDA. DESCONECTE LA ALIMENTACION ELECTRICA.** No abandone la herramienta hasta que no se haya detenido completamente.
- **NO ABUSE DEL CORDON.** Nunca transporte la herramienta por el cordón ni tire del cordón para desenchufarla. Mantenga el cordón alejado del calor, del aceite y de los bordes afilados.
- **PROTÉJA SUS PULMONES.** Utilice una máscara contra el polvo si la operación de corte va a despedir mucho polvo.
- **PROTEJA SU AUDICION.** Utilice protección para los oídos durante períodos prolongados de funcionamiento.

REGLAS DE SEGURIDAD GENERALES

- **LA HOJA SIGUE GIRANDO DESPUÉS QUE SE APAGA LA SIERRA.**
- **NE JAMAIS UTILISER CET OUTIL DANS UNE ATOMSPHÈRE EXPLOSIVE.** Les étincelles normalement produite par le moteur pourraient enflammer les vapeurs.
- **REVISE PERIÓDICAMENTE LOS CABLES DE LA HERRAMIENTA.** Si están dañados, llévelos a un centro de servicio autorizado para que los revise un técnico de servicio calificado. El conductor con aislamiento que tiene una superficie exterior verde con o sin tiras amarillas es el conductor de conexión a tierra del equipo. Si el cable o la clavija necesitan reparación o reemplazo, no conecte el conductor de conexión a tierra a una terminal portadora de corriente. Repare o reemplace de inmediato todo cable dañado o gastado. Tenga presente siempre la ubicación del cable y manténgalo bien alejado de la hoja giratoria.
- **REVISE PERIÓDICAMENTE LOS CABLES DE EXTENSIÓN** y reemplácelos si están dañados.
- **CONECTE A TIERRA TODA HERRAMIENTA ELÉCTRICA.** Si la herramienta está provista de una clavija de tres puntas, debe conectarse en un enchufe eléctrico de tres polos.
- **CONSULTE A UN ELECTRICISTA CALIFICADO** o técnico de servicio si no ha comprendido completamente las instrucciones de conexión a tierra o si no está seguro de que la herramienta está bien conectada a tierra.
- **USE SOLAMENTE LOS DISPOSITIVOS ELÉCTRICOS CORRECTOS:** cables de extensión de 3 conductores, con clavijas de tres puntas y contactos de tres polos que acepten la clavija del cable de la herramienta.
- **NO MODIFIQUE** la clavija suministrada. Si no entra en la toma de corriente, llame a un electricista calificado para que instale una toma de corriente adecuada.
- **MANTENGA LA HERRAMIENTA SECA, LIMPIA Y LIBRE DE ACEITE Y GRASA.** Siempre utilice un paño limpio para limpiar la unidad. No use nunca líquido para frenos, gasolina, productos a base de petróleo ni solventes para limpiar la herramienta.
- **PERMANEZCA ALERTA Y EN CONTROL.** Preste atención a lo que esté haciendo y aplique el sentido común. No utilice la herramienta cuando esté cansado. No haga las cosas con prisa.
- **NO USE LA HERRAMIENTA SI EL INTERRUPTOR NO ENCIENDE O NO APAGA.** Todo interruptor defectuoso debe llevarse a reparar a un centro de servicio autorizado.
- **ANTES DE EFECTUAR UN CORTE VERIFIQUE QUE TODOS LOS COMPONENTES PRESENTEN EL AJUSTE CORRECTO.**
- **ASEGÚRESE DE QUE NO HAYA CLAVOS EN LA TRAYECTORIA DE LA HOJA.** Inspeccione la madera en busca de clavos y elimínelos todos antes de empezar a cortar.
- **NUNCA TOQUE LA HOJA** ni ninguna otra pieza en movimiento durante el funcionamiento de la unidad.
- **NUNCA ARRANQUE LA HERRAMIENTA CUANDO UN COMPONENTE GIRATORIO ESTÉ EN CONTACTO CON LA PIEZA DE TRABAJO.**
- **NO UTILICE NINGUNA HERRAMIENTA SI SE ENCUENTRA BAJO LOS EFECTOS DE DROGAS, ALCOHOL O MEDICAMENTOS.**
- **AL DAR MANTENIMIENTO** a la unidad, utilice solamente piezas de repuesto idénticas. El empleo de piezas diferentes puede causar un peligro o dañar el producto.
- **UTILICE SOLAMENTE LOS ACCESORIOS** señalados en este manual o en los apéndices. El uso de accesorios no mencionados en este manual plantea el riesgo de que ocurran lesiones corporales. Cada accesorio se acompaña de instrucciones para su uso sin riesgos.
- **REVISE DOS VECES TODA LA CONFIGURACIÓN DE LA HERRAMIENTA.** Asegúrese de que la hoja esté apretada y de que no toque la sierra ni la pieza de trabajo antes de conectar la unidad al suministro de corriente.

REGLAS DE SEGURIDAD ESPECÍFICAS

- **SUJETE FIRMEMENTE SU SIERRA CON MORDAZAS O APERNANDOLA** aproximadamente a la altura de la cadera.
- **NUNCA UTILICE LA SIERRA PUESTA SÓLO EN EL PISO.**
- **EVITE LAS OPERACIONES Y POSICIONES INCONVENIENTES DE LAS MANOS** en que un deslizamiento repentino puede causar que su mano toque la hoja. **SIEMPRE** asegúrese de que tiene buen equilibrio.
- **DEJE QUE EL MOTOR ALCANCE SU VELOCIDAD MÁXIMA** antes de comenzar a cortar a fin de evitar que la hoja se atasque o pierda velocidad.
- **NO USE LA HERRAMIENTA SI EL INTERRUPTOR NO FUNCIONA DEBIDAMENTE.** Haga reemplazar el interruptor defectuoso por un centro de servicio autorizado.
- **REPUESTOS.** Todas las reparaciones ya sean eléctricas o mecánicas deben ser hechas por un técnico de servicio calificado en un centro de servicio autorizado.
- **AL DAR MANTENIMIENTO** a la unidad, utilice solamente piezas de repuesto idénticas. El empleo de piezas diferentes puede causar un peligro o dañar el producto.
- **MANTENGA LAS MANOS ALEJADAS DEL AREA DE CORTE.** No sostenga con la mano piezas que sean tan pequeñas que sus dedos deban llegar hasta debajo del protector de la hoja. Por ninguna razón trate de pasar sus manos o dedos debajo del trabajo o de su trayecto de corte.
- **NUNCA CORTE MAS DE UNA PIEZA A LA VEZ** o no apile más de una pieza en la mesa de la sierra de una sola vez.
- **NO ALIMENTE EL MATERIAL DEMASIADO RAPIDO.** No fuerce la pieza de trabajo contra la hoja.
- **USE SOLAMENTE LAS HOJAS CORRECTAS.** Use el tamaño correcto de la hoja y el estilo adecuada para el material y el tipo de corte. Los dientes de la hoja deben quedar dirigidos hacia abajo, hacia la mesa.

REGLAS DE SEGURIDAD ESPECÍFICAS

- **SIEMPRE APOYE LAS PIEZAS DE TRABAJO LARGAS** para disminuir el riesgo de que la hoja pellizque la madera y se produzca retroceso. La sierra puede deslizarse, moverse o resbalar cuando esté cortando tablas largas o pesadas.
- **NO RETIRE PEDAZOS CORTADOS QUE ESTE NATASCADOS** hasta que la hoja no se haya detenido completamente.
- **NUNCA TOQUE LA HOJA** u otras piezas móviles durante el uso.
- **ANTES DE CAMBIAR ALGUN AJUSTE, DE SACAR LAS CUBIERTAS, LOS PROTECTORES O LA HOJA** desenchufe la sierra y saque la llave del interruptor.
- **SUJETE LA PIEZA DE TRABAJO** firmemente contra la mesa de la sierra.
- **PARA EVITAR CONTACTO ACCIDENTAL CON LA HOJA**, disminuir a un mínimo la rotura de las hojas y provee apoyo máximo para la hoja, siempre ajuste el conjunto de la guía de la hoja de modo que apenas despeje la pieza de trabajo.
- **MANTENGA LAS HOJAS LIMPIAS, AFILADAS Y CON SUFICIENTE DEFLEXION.** Las hojas afiladas reducen a un mínimo la pérdida de velocidad y el retroceso.
- **SIEMPRE APAGUE LA SIERRA** antes de desenchufarla a fin de evitar la puesta en marcha accidental cuando vuelva a enchufarla.
- **ASEGURESE DE QUE EL AREA DE TRABAJO TENGA SUFICIENTE LUZ** para ver la pieza de trabajo y de que no hayan obstrucciones que interfieran con la operación segura **ANTES** de efectuar ningún trabajo en que utilice esta sierra.
- **LAS GUÍAS DE LA HOJA HAN SIDO PREAJUSTADAS EN LA FÁBRICA.** Estos ajustes son funcionales para algunas aplicaciones. Se recomienda verificar y regular los ajustes de las guías de la hoja antes de usar su sierra por primera vez. Consulte los procedimientos para el **Ajuste de los cojinetes de empuje y del soporte de las guías de la hoja** explicados en la sección *AJUSTES* de este manual del usuario.
- **NO UTILICE HERRAMIENTA PARA CORTAR METAL.**
- **ESTA HERRAMIENTA** tendrá los siguientes avisos:
 - a) Póngase protección ocular.
 - b) Mantenga los dedos alejados de la hoja en movimiento.
 - c) No retire piezas cortadas o atoradas sino hasta haberse detenido la hoja.
 - d) Asegúrese de que los dientes de la sierra estén dirigidos hacia abajo hacia la mesa de la sierra.
 - e) Sostenga firmemente la pieza de trabajo contra la mesa.
 - f) No efectúe a pulso ninguna operación.
 - g) Sostenga firmemente la pieza de trabajo contra la mesa.
- **SI ESTÁ DAÑADO EL CORDÓN DE CORRIENTE**, debe ser reemplazado únicamente por el fabricante o en un centro de servicio autorizado para evitar riesgos.
- **CONSERVE ESTAS INSTRUCCIONES.** Consúltelas con frecuencia y úselas para ayudar a otros que puedan usar esta herramienta. Si usted presta esta herramienta a otra persona, entregue también las instrucciones.

CALIFORNIA - PROPUESTA DE LEY NÚM. 65



ADVERTENCIA:

Este producto y algunos polvos generados al efectuarse operaciones de lijado, aserrado, esmerilado, taladrado y otras actividades de la construcción, contienen sustancias químicas reconocidas por el estado de California como causantes de cáncer, defectos congénitos y otras afecciones del aparato reproductor. **Lávese las manos después de utilizar el aparato.**




Algunos ejemplos de estas sustancias químicas son:

- plomo de las pinturas a base de plomo,
- sílice cristalino de los ladrillos, del cemento y de otros productos de albañilería, y
- arsénico y cromo de la madera químicamente tratada.







El riesgo de la exposición a estos compuestos varía, según la frecuencia con que se realice este tipo de trabajo. Para reducir la exposición personal, trabaje en áreas bien ventiladas, y con equipo de seguridad aprobado, tal como las caretas para el polvo especialmente diseñadas para filtrar partículas microscópicas.

SÍMBOLOS

Las siguientes palabras de señalización y sus significados tienen el objeto de explicar los niveles de riesgo relacionados con este producto.

SÍMBOLO	SEÑAL	SIGNIFICADO
	PELIGRO:	Indica una situación peligrosa inminente, la cual, si no se evita, causará la muerte o lesiones serias.
	ADVERTENCIA:	Indica una situación peligrosa posible, la cual, si no se evita, podría causar la muerte o lesiones serias.
	PRECAUCIÓN:	Indica una situación peligrosa posible, la cual, si no se evita, podría causar lesiones menores o leves.
	AVISO:	(Sin el símbolo de alerta de seguridad) Indica información importante no relacionada con ningún peligro de lesiones, como una situación que puede ocasionar daños físicos.

Es posible que se empleen en esta herramienta algunos de los siguientes símbolos. Le suplicamos estudiarlos y aprender su significado. Una correcta interpretación de estos símbolos le permitirá utilizar mejor y de manera más segura la herramienta.

SÍMBOLO	NOMBRE	DENOMINACIÓN/EXPLICACIÓN
	Alerta de seguridad	Indica un peligro posible de lesiones personales.
	Lea el manual del operador	Para reducir el riesgo de lesiones, el usuario debe leer y comprender el manual del operador antes de usar este producto.
	Protección ocular	Siempre póngase protección ocular con protección lateral con la marca de cumplimiento de la norma ANSI Z87.1.
	Símbolo de no acercar las manos	Si no mantiene las manos alejadas de la hoja de corte, se causará serias lesiones corporales.
	Alerta de condiciones húmedas	No exponga la unidad a la lluvia ni la use en lugares húmedos.
V	Volts	Voltaje
A	Amperes	Corriente
Hz	Hertz	Frecuencia (ciclos por segundo)
min	Minutos	Tiempo
~	Corriente alterna	Tipo de corriente
n_0	Velocidad en vacío	Velocidad de rotación, en vacío
	Fabricación Clase II	Fabricación con doble aislamiento
.../min	Por minuto	Revoluciones, carreras, velocidad superficial, órbitas, etc., por minuto

ASPECTOS ELÉCTRICOS

CORDONES DE EXTENSIÓN

Sólo utilice cordones de extensión de 3 conductores con clavijas de tres patillas y receptáculos de tres polos que acepten la clavija del cordón de la herramienta. Al utilizar una herramienta eléctrica a una distancia considerable del suministro de corriente, asegúrese de utilizar un cordón de extensión del grueso suficiente para soportar el consumo de corriente de la herramienta. Un cordón de extensión de un grueso insuficiente causa una caída en el voltaje de línea, además de producir una pérdida de potencia y un recalentamiento del motor. Báse en la tabla suministrada abajo para determinar el calibre mínimo requerido de los conductores del cordón de extensión. Solamente deben utilizarse cordones con forro redondo registrados en Underwriter's Laboratories (UL).

**Amperaje (aparece en la placa frontal)

	0-2.0	2.1-3.4	3.5-5.0	5.1-7.0	7.1-12.0	12.1-16.0
Longitud del cordón						
Calibre conductores (A.W.G.)						
25'	16	16	16	16	14	14
50'	16	16	16	14	14	12
100'	16	16	14	12	10	—

**Se usa en los circuitos de calibre 12, 20 amp.

NOTA: AWG = Calibre conductores norma americana

Al trabajar a la intemperie con el producto, utilice un cordón de extensión fabricado para uso en el exterior. Tal característica está indicada con las letras "W-A" o "W" en el forro del cordón.

Antes de utilizar un cordón de extensión, inspecciónelo para ver si tiene conductores flojos o expuestos y aislamiento cortado o gastado.

ADVERTENCIA:

Mantenga el cordón de extensión fuera del área de trabajo. Al trabajar con una herramienta eléctrica, coloque el cordón de tal manera que no pueda enredarse en la madera, herramientas ni en otras obstrucciones. La inobservancia de esta advertencia puede causar lesiones serias.

ADVERTENCIA:

Inspeccione los cordones de extensión cada vez antes de usarlos. Si están dañados reemplácelos de inmediato. Nunca utilice la herramienta con un cordón dañado, ya que si toca la parte dañada puede producirse una descarga eléctrica, y las consecuentes lesiones serias.

CONEXIÓN ELÉCTRICA

Esta herramienta está impulsada por un motor eléctrico fabricado con precisión. Debe conectarse únicamente a **una línea de voltaje de 120 V, de corriente alterna solamente (corriente normal para uso doméstico), 60 Hz.** No utilice esta herramienta con corriente continua (c.c.). Una caída

considerable de voltaje causa la pérdida de potencia y el recalentamiento del motor. Si la sierra no funciona al conectarla en una toma de corriente, vuelva a revisar el suministro de corriente.

VELOCIDAD Y CABLEADO

La velocidad en vacío de este producto es de 2 500 fpm aproximadamente. Esta velocidad no es constante y disminuye durante el corte o con un voltaje bajo. En cuanto al voltaje, el cableado de un taller es tan importante como la potencia nominal del motor. Una línea destinada sólo para luces no puede alimentar el motor de una herramienta eléctrica. El cable con el calibre suficiente para una distancia corta será demasiado delgado para una mayor distancia. Una línea que alimenta una herramienta eléctrica quizá no sea suficiente para alimentar dos o tres herramientas.

INSTRUCCIONES DE CONEXIÓN A TIERRA

Este producto debe conectarse a tierra. En caso de un mal funcionamiento o desperfecto, la conexión a tierra brinda a la corriente eléctrica una trayectoria de mínima resistencia para disminuir el riesgo de una descarga eléctrica. Esta herramienta está equipada de un cordón eléctrico con un conductor y una clavija de conexión a tierra para equipo. La clavija debe conectarse en una toma de corriente igual que esté instalada y conectada a tierra correctamente, de conformidad con los códigos y reglamentos de la localidad.

No modifique la clavija suministrada. Si no entra en la toma de corriente, llame a un electricista calificado para que instale una toma de corriente adecuada.

ADVERTENCIA:

Si se conecta de forma incorrecta el conductor de conexión a tierra del equipo puede presentarse un riesgo de descarga eléctrica. Si es necesaria la reparación o reemplazo del cordón eléctrico o de la clavija, no conecte el conductor de conexión a tierra a una terminal portadora de corriente. El conductor con aislamiento que tiene una superficie exterior verde con o sin tiras amarillas es el conductor de conexión a tierra del equipo.

Consulte a un electricista calificado o técnico de servicio si no ha comprendido completamente las instrucciones de conexión a tierra o si no está seguro si la herramienta está bien conectada a tierra.

Repáre o reemplace de inmediato todo cordón dañado o gastado.

Este producto se debe usar con un circuito de 120 V nominales y tiene una clavija de conexión a tierra similar a la clavija que se muestra en la figura 1 página 17. Conecte el producto únicamente a una toma de corriente que tenga la misma configuración que la clavija. No use un adaptador con este producto.

CARACTERÍSTICAS

ESPECIFICACIONES DEL PRODUCTO

Ancho de la hoja..... 3 mm x 10 mm (1/8 pulg. x 3/8 pulg.)
Larga de la hoja..... 62 pulg. (157,5 cm)
Capacidad desde el bastidor a la hoja..... 9 pulg. (229 mm)
Capacidad de espesor del corte..... 3-5/8 pulg. (92 mm)

Tamaño de la mesa 11-3/4 pulg. x 11-3/4 pulg.
..... (298,4 mm x 298,4 mm)
Alimentación..... 120 V~, 2,5 A, 60 Hz.
Velocidad sin carga 1 270 cm/s (2 500 FPM)
Escape del polvo..... 2-1/2 pulg. (63,5 mm)

CONOZCA SU SIERRA SIN FIN

Vea la figura 2, página 17.

El uso seguro que este producto requiere la comprensión de la información impresa en la herramienta y en el manual del operador así como ciertos conocimientos sobre el proyecto a realizar. Antes de usar este producto, familiarícese con todas las características de funcionamiento y normas de seguridad.

PERILLA DE AJUSTE DEL ANGULO

Inclina la mesa de la sierra para cortes en bisel.

PROTECTOR DE LA HOJA

Protege al operador contra posible contacto con la hoja.

PERILLA DE AJUSTE DE LA GUÍA DE LA HOJA

Use la perilla de ajuste de la guía de la hoja para ajustar el conjunto de la guía de la hoja hacia arriba y abajo a fin de evitar que la hoja se tuerza o rompa. Siempre bloquee el conjunto de la guía de la hoja en su lugar antes de poner en marcha la sierra sin fin.

GUÍAS PARA LA HOJA

Las guías superior e inferior para la hoja ayudan a impedir el torcimiento de la hoja durante el corte.

ORIFICIO DE ESCAPE DEL POLVO

Es posible hacer cortes sin despedir polvo gracias a un orificio de escape del polvo de 63,5 mm (2-1/2 pulg.). Conecte el saco captapolvo o una aspiradora de taller en la abertura de salida de aserrín.

PESTILLO

Los pestillos de fácil apertura permiten abrir la cubierta frontal para efectuar ajustes.

GUÍA DE INGLETES

Esta guía sirve para alinear la madera, para cortes transversales. El indicador de fácil lectura muestra el ángulo exacto para los cortes a inglete a 90° y 45°.

PALANCA RAPID SET DE TENSIÓN DE LA HOJA

Sirve para controlar la tensión de la hoja al cambiarla o al efectuar ajustes para diversas operaciones de aserrado.

HOJA DE SIERRA

La sierra viene equipada con una hoja estándar de 6 mm (1/4 pulg.) ya instalada.

MESA DE LA SIERRA CON PLACA DE GARGANTA

Su sierra sin fin tiene una mesa con control de inclinación. La placa de garganta roja, instalada en la sierra en la fábrica, permite el despeje de la hoja.

ESCALA E INDICADOR DE LA ESCALA

La escala y el indicador de la escala muestran el ángulo o el grado de inclinación de la mesa de la sierra para cortes en bisel.

INTERRUPTOR Y LLAVE DEL INTERRUPTOR

Su sierra sin fin está equipado con un interruptor de puesta en marcha de fácil acceso. Para bloquear la sierra en la posición **OFF** (apagado), retire la llave amarilla del interruptor. Coloque la llave en un lugar fuera del alcance de los niños y de otras personas que no estén calificadas para usar la herramienta.

PALANCA DE BLOQUEO DE LA MESA

Si se afloja la palanca de bloqueo de la mesa de la sierra, ésta se inclina en diferentes ángulos. Si se aprieta la palanca de bloqueo de la mesa, la mesa de la sierra queda bloqueada en su posición.

BOTÓN DE CENTRADO

El botón de centrado se ajusta para mantener la hoja alineada en el centro de las ruedas.

MIRILLA DE CENTRADO

La mirilla de centrado facilita la visión de los ajustes de centrado.

ARMADO

LISTA DE PIEZAS SUELTAS

Vea la figura 4, página 18.

Los siguientes accesorios vienen incluidos con sierra:

Núm.

ref.	Descripción	Cant.
A	Mesa de la sierra	1
B	Guía de inglete	1
C	Llave hex. de 2 mm	1
D	Llave hex. de 4 mm	1
E	Arandela	1
F	Palanca de bloqueo de la mesa	1
	Manual del operador (no se ilustra)	1

DESEMPAQUETADO

Este producto requiere armarse.

- Extraiga cuidadosamente de la sierra y colóquela sobre una superficie de trabajo nivelada.

ADVERTENCIA:

No utilice este producto si alguna pieza incluida en la lista de empaquetado ya está ensamblada al producto cuando lo desempaqueta. El fabricante no ensambla las piezas de esta lista en el producto. Éstas deben ser instaladas por el usuario. El uso de un producto que puede haber sido ensamblado de forma inadecuada podría causar lesiones personales graves.

- Inspeccione cuidadosamente la herramienta para asegurarse de que no se haya roto o dañado durante el transporte.

NOTA: Este sierra ha sido enviado con no tensión de hoja. No prenda este sierra hasta que la tensión de hoja haya sido puesta apropiadamente.

- No deseche el embalaje sin haber inspeccionado cuidadosamente la herramienta y haberla utilizado satisfactoriamente.
- Si hay piezas dañadas o faltantes, le suplicamos llamar al 1-800-525-2579, donde le brindaremos asistencia.

ADVERTENCIA:

Si hay piezas dañadas o faltantes, no utilice esta producto sin haber reemplazado todas las piezas. Usar este producto con partes dañadas o faltantes puede causar lesiones serias al operador.

ADVERTENCIA:

No intente modificar esta herramienta ni hacer accesorios no recomendados para la misma. Cualquier alteración o modificación constituye maltrato y puede dar lugar a una situación de riesgo que pueda ocasionar lesiones corporales graves.

ADVERTENCIA:

No conecte la unidad al suministro de corriente antes de terminar de armarla. De lo contrario, la unidad puede ponerse en marcha accidentalmente, con el consiguiente riesgo de lesiones graves.

MONTAJE DE LA SIERRA SIN FIN UN BANCO DE TRABAJO

Si la sierra sin fin va a ser usada en un lugar permanente, la sierra sin fin debe montarse en una superficie de soporte firme, como un banco de trabajo. Hay cuatro agujeros para perno en la base de la sierra para este fin. Los pernos deben ser de la suficiente longitud para dar acomodo a la base de la sierra, las arandelas de seguridad, las tuercas hexagonales y el espesor del banco de trabajo. Apriete firmemente los cuatro pernos.

Después del montaje revise cuidadosament el banco de trabajo para asegurarse de que no haya ocurrido ningún desplazamiento. Si el banco de trabajo se inclina, desliza o camina, asegúrelo al piso antes de utilizar la unidad.

- Coloque la sierra sin fin en el banco de trabajo. Usando la base de la sierra como una plantilla, ubique y marque los agujeros donde se va a instalar la sierra sin fin.
- Taladre agujeros a través del banco de trabajo.
- Coloque la sierra sin fin en el banco de trabajo alineando los agujeros de la base con los agujeros taladrados en el banco de trabajo.
- Inserte ernos (no incluidos) y apriételes firmemente con las arandelas de seguridad y las tuercas hexagonales (no incluidas).

NOTA: Todos los pernos deben ser insertados desde arriba. Instale las arandelas de seguridad y las tuercas hexagonales desde el lado inferior del banco.

FIJACION DE LA SIERRA SIN FIN UN BANCO DE TRABAJO

Vea la figura 5, página 18.

Si la sierra sin fin va a ser usada como una herramienta portátil, recomendamos que la instale permanentemente en una tabla de montaje que pueda ser fácilmente sujeta con prensas en C en un banco de trabajo o en otra superficie de soporte. La tabla de montaje debe ser de tamaño suficiente para evitar que la sierra se vuelque cuando se esté usando. Se recomienda cualquier madera contrachapada de buena calidad o cartón gris de 19 mm (3/4 pulg.) de espesor.

Si se usan tirafondos, asegúrese de que los pernos de montaje sean lo suficientemente largos para pasar a través de los agujeros en la base de la sierra y en el material en cual está siendo montada. Si se usan pernos de máquina, asegúrese de que los pernos de montaje sean lo suficientemente largos para pasar a través de los agujeros en la base de la sierra, del material en cual está siendo montada, de las arandelas de seguridad y de las tuercas hexagonales.

ARMADO

NOTA: Puede que sea necesario avellanar las tuercas hexagonales y las arandelas en el lado inferior de la tabla de montaje.

- Instale la sierra en la tabla usando los agujeros en la base de la sierra como una plantilla para la configuración de los agujeros. Ubique y marque los agujeros donde la sierra sin fin va a ser instalada.
- Siga los últimos tres pasos de la sección anterior: **Montaje de la sierra sin fin en el banco de trabajo.**

MONTAJE DE LA MESA DE LA SIERRA

Vea la figura 6 y 7, páginas 18 y 19.

- Retire de la tuerca en D, arandelas, y tornillo de mariposa.
- Estando parado frente a la sierra, deslice la mesa de la sierra hasta pasar la hoja y a través de la ranura, efectuando el movimiento desde el lado derecho de la mesa de la sierra hacia el izquierdo.
- Tener la mesa de sierra con la mano izquierda al tirar la perilla de ajuste para ángulos lejos del armazón de la sierra, alinee los dientes en el soporte de la mesa de la sierra en los dientes en la perilla de ajuste para ángulos. Suelte el perilla.
- Quede los pasadores en el armazón en las ranuras del ranuras de mesa de sierra.
- Inserte la arandela en el extremo roscado de la palanca de bloqueo de la mesa. Apriete la mesa de la sierra contra la armazón de la sierra girando la palanca de bloqueo de la mesa a la derecha.
- Instale el tuerca en D, las arandelas y la tornillo de mariposa, en dicha mesa.

NOTA: La tornillo de mariposa se instala por debajo de la mesa de la sierra.

COLOCANDO LA MESA PERPENDICULAR A LA HOJA

Vea la figura 8 y 9, página 19.

- Gire la perilla de bloqueo hacia la izquierda para desbloquear el conjunto de la guía de la hoja. Girando hacia la izquierda la perilla de ajuste de la guía de la hoja, suba el conjunto de dicha guía hasta donde llegue. Gire hacia la derecha la palanca de bloqueo de la mesa para volver a apretarla.
- Coloque una escuadra combinada pequeña en la mesa de la sierra junto a la hoja de la sierra.
- Afloje la palanca de bloqueo de la mesa y gire la perilla de ajuste del ángulo para inclinar la mesa de la sierra hacia arriba o hacia abajo para alinearla a 90° con la hoja (posición de 0°). Apriete la palanca de bloqueo de la mesa.
- Con una llave ajustable, vuelva a apretar la contratuerca.
- Gire el perno de ajuste hasta que el perno toque levemente la caja de la sierra.
- Verifique la perpendicularidad de la mesa de la sierra en relación con la hoja. Haga cualquier ajuste adicional que sea necesario.

- Una vez que squareness es confirmado, reapriete la contratuerca
- Coloque el indicador de la escala en la marca cero y apriete el tornillo con un destornillador phillips.

NOTA: Siempre haga un corte de prueba para asegurar el cuadrado de la hoja antes de empezar algún nuevo project. Si no cuadrado, puede ser necesario para aflojar los tornillos bajo la mesa de sierra para hacer el ajuste (ranura para la guía de ingles debe ser paralela a la hoja del serrote). Una vez que cuadrado, reaprieta tornillos.

AJUSTE DE LA TENSION DE LA HOJA

Vea la figura 10 y 11, página 19 y 20.

- Retire la llave del interruptor.
- Antes de usar la sierra sin fin, gire a la derecha la perilla de ajuste de la tensión de la hoja, situada en la parte hoja de sierra, para perilla de tensión.
NOTA: La tensión de la hoja se puede ajustar en cualquier momento.
- Pulse el borde trasero recto en el lado opuesto al de las guías de la hoja, a la vez que gira la perilla de ajuste de la tensión.

El sonido tiene un tono más agudo a medida que la tensión aumenta. Nunca aumente tanto la tensión de la hoja de manera que el resorte quede completamente comprimido. Cuando el resorte está totalmente comprimido, ya no puede actuar como un amortiguador de golpes.

Si la hoja queda demasiado tensa se puede quebrar. Piezas de trabajo más grueso requiere la tensión más alta; la tensión máxima no es necesitada para todos los cortes. Si no queda muy tensa la hoja puede deslizarse en las ruedas.

CENTRADO DE LA HOJA

Vea la figura 11, página 20.

Ajuste la tensión de la hoja en forma debida antes de hacer ajustes de centrado. Verifique si las guías de la hoja están interfiriendo con la hoja. El garganta de la hoja (la parte más profunda del diente de hoja) debe estar en el centro de la rueda.

Para ajustar:

- Abra la cubierta delantera desenganchando el pestillo superior e inferior. Observe la posición de la hoja en el bandaje superior a través de la mirilla de centrado y en forma lenta a la derecha la rueda superior. Si la hoja se aleja del centro de el bandaje, se debe ajustar el centrado.

Si la hoja se ha movido a la izquierda o derecha del centro:

- Gire la perilla de centrado de la hoja (a la derecha si la hoja se ha movido hacia la izquierda y gire la perilla a la izquierda si la hoja se ha movido a la derecha) a la vez que gira manualmente la rueda hasta que la hoja vuelva y que colocada en el centro del bandaje.
- Verifique la posición de la hoja en la goma inferior. La hoja debe estar completamente sobre el bandaje(garganta de los dientes de hoja en el centro). De lo contrario, ajuste el centrado hasta que la hoja esté en ambos bandajes.

ARMADO

- Gire manualmente la rueda superior a la derecha unas pocas vueltas más. Asegúrese de que la hoja permanece en el mismo lugar en las gomas. Reajuste la hoja si es necesario, hasta que la hoja esté debidamente centrada.
- Cierre la cubierta delantera y coloque los pestillos.
- Gire la sierra
- Verifique a hoja de la sierra es centrado sur le bandaje (par la mirilla de centrado). Si no centrado, répéter les étapes.



ADVERTENCIA:

Las guías de la hoja han sido preajustadas en la fábrica. Estos ajustes son funcionales para algunas aplicaciones. Se recomienda verificar y regular los ajustes de las guías de la hoja antes de usar su sierra por primera vez. Consulte los procedimientos para el **Ajuste de los cojinetes de empuje y del soporte de las guías de la hoja** explicados en la sección *AJUSTES* de este manual del usuario.

FUNCIONAMIENTO



ADVERTENCIA:

No permita que su familiarización con las herramientas lo vuelva descuidado. Tenga presente que un descuido de un instante es suficiente para causar una lesión grave.



ADVERTENCIA:

Siempre póngase protección ocular con protección lateral con la marca de cumplimiento de la norma ANSI Z87.1. Si no cumple esta advertencia, los objetos que salen despedidos pueden producirle lesiones serias en los ojos.



ADVERTENCIA:

No utilice ningún aditamento o accesorio no recomendado por el fabricante de esta herramienta. El empleo de aditamentos o accesorios no recomendados podría causar lesiones serias.



ADVERTENCIA:

A fin de evitar contacto con la hoja, ajuste el conjunto de la guía de la hoja de modo que apenas despeje la pieza de trabajo. De lo contrario se puede producir una lesión personal grave.



ADVERTENCIA:

Nunca haga funcionar la sierra sin tener el protector de la hoja y coberturas delantero esté firmemente. De lo contrario se podría causar una posible lesión personal grave.

USOS

Esta herramienta puede emplearse para los fines enumerados abajo:

- Corte de contornos y en círculo en madera y materiales compuestos de madera

- Varias línea recta que corta las operaciones en madera y materiales compuestos de madera

FUNCIONAMIENTO BASICO DE LA SIERRA SIN FIN

Una sierra sin fin es básicamente una herramienta que “corta curvas” que además puede utilizarse para operaciones de cortes rectos como cortes transversales, cortes en inglete, cortes en bisel, cortes compuestos y reaserrado. Cuando se usa la sierra sin fin para cortes rectos, el usuario puede instalar una cerca que utiliza un pedazo apropiadamente calibrado de madera sujetó a la mesa con “C” de fijación. No se pueden efectuar cortes interiores o cortes no pasantes. Antes de comenzar un corte, observe como funciona la sierra. Si observa vibración excesiva o ruido extraño, deténgase inmediatamente. Apague la sierra, retire la llave del interruptor y desenchufe la sierra. No vuelva a ponerla en marcha hasta que no haya localizado y corregido el problema.

PROCEDIMIENTOS DE CORTE

- Sujete la pieza de trabajo firmemente contra la mesa de la sierra.
- Use una presión suave y ambas manos cuando alimente la pieza de trabajo hacia la hoja. **No fuerce el trabajo;** deje que la sierra haga el corte.
- El círculo de diámetro más pequeño que pueda cortarse depende del ancho de la hoja. Una hoja de 1/4 pulg. (6 mm) de ancho cortará un diámetro mínimo de 1-1/2 pulg. (38 mm); una hoja de 1/8 pulg. (3 mm) de ancho cortará un diámetro mínimo de 1/2 pulg. (13 mm).
- Mantenga sus manos alejadas de la hoja. No sostenga en la mano piezas tan pequeñas que sus dedos vayan a pasar debajo del protector de la hoja.
- Evite las operaciones y posiciones de las manos difíciles en que una desliz repentino pueda causar una lesión grave al entrar en contacto con la hoja. Nunca coloque las manos en el trayecto de la hoja.
- Use soportes adicionales (mesas, caballetes de aserrar, bloques, etc.) cuando corte piezas de trabajo grandes, pequeñas o de formas difíciles.

FUNCIONAMIENTO

- Nunca use a una persona como un sustituto para una extensión de la mesa o como apoyo adicional para una pieza de trabajo que es más larga o más ancha que la mesa básica de la sierra.
- Cuando corte piezas de trabajo de forma irregular, planifique su trabajo de modo que no pellizque la hoja. Por ejemplo, un pedazo de moldura debe quedar plano sobre la mesa. Las piezas de trabajo no deben torcerse, moverse o deslizarse cuando están siendo cortadas.

Cuando esté haciendo retroceder la pieza de trabajo, la hoja puede atascarse en la entalladura (corte). Esto a menudo es causado por el aserrín que se acumula en la entalladura o cuando la hoja se sale de las guías. Si esto sucede:

- Coloque el interruptor en la posición **“OFF” (Apagado)**. Espere hasta que la sierra se detenga completamente y retire la llave del interruptor. Guarde la llave en un lugar seguro.
- Desenchufe la sierra de la fuente de alimentación.
- Abra la entalladura colocando un destornillador de punta plana o una cuña de madera.
- Abra la cubierta delantera y gire manualmente la rueda superior a la vez que mueve hacia atrás la pieza de trabajo.

CORTES AUXILIARES

Los cortes auxiliares se hacen cuando se va a cortar una curvaintrincada (con un radio demasiado pequeño para la hoja). Corte en una sección que va a ser recortada de la pieza de trabajo hasta la línea de modelo de la curva, luego cuidadosamente retroceda la hoja para sacarla. Se deben hacer varios cortes auxiliares para las curvas intrincadas antes de seguir la línea de modelo a medida que se van cortando secciones de la curva aliviando así la presión de la hoja.

CALADO

Para calado de tipo general, siga las líneas de modelo empujando y girando la pieza de trabajo al mismo tiempo. No trate de girar la pieza de trabajo cuando esté enganchada en la hoja sin empujarla – la pieza de trabajo se puede atascar o torcer la hoja.

REMOCION DEL MATERIAL ATASCADO

Nunca retire los pedazos cortados que estén atascados hasta que la hoja no se haya detenido completamente.

- Coloque el interruptor en la posición **“OFF” (Apagado)**. Espere hasta que la sierra se detenga completamente y retire la llave del interruptor. Guarde la llave en un lugar seguro.
- Desenchufe la sierra de la fuente de alimentación antes de sacar el material atascado.

PARA EVITAR LESIONES

- Asegúrese de que la sierra esté nivelada y que no se mueva. La sierra siempre debe estar sobre una superficie

firme y nivelada con suficiente espacio para manipular y apoyar en forma debida la pieza de trabajo.

- Aperse la sierra a la superficie de apoyo para evitar que resbale, se mueva o se deslice durante las operaciones tales como corte de tablas largas y pesadas.
- **APAGUE** la sierra, retire la llave del interruptor y desenchufe el cordón de la fuente de alimentación antes de mover la sierra.
- No saque los pedazos cortados que estén atascados hasta que la hoja no se haya detenido completamente.
- Seleccione la hoja de modelo y estilo adecuado para el material y tipo de corte que intenta hacer.
- Asegúrese de que los dientes de la sierra estén dirigidos hacia abajo, hacia la mesa de la sierra, de que las guías de la hoja, los cojinetes de empuje y la tensión de la hoja estén debidamente ajustados, de que la perilla de la guía de la hoja esté apretada y que ninguna pieza tenga juego excesivo.
- Para evitar contacto accidental con la hoja, disminuir a un mínimo la rotura de las hojas y provee apoyo máximo para la hoja, siempre ajuste el conjunto de la guía de la hoja de modo que apenas despeje la pieza de trabajo.
- Use solamente accesorios recomendados.
- Retire todo lo que se encuentre en la mesa de la sierra antes de poner en marcha la sierra, exceptuando la pieza de trabajo y los dispositivos de apoyo relacionados.
- Apoye debidamente los materiales redondos tales como barras o tubos pues tienen tendencia a rodar durante un corte haciendo que la hoja pellizque la pieza. Para evitar esto, siempre utilice un bloque en “V” o sujete la pieza de trabajo contra una guía de inglete.
- Antes de retirar los pedazos cortados de la mesa de la sierra, apague la sierra y espere hasta que todas las piezas móviles se hayan detenido.

BLOQUEO DEL INTERRUPTOR

Vea la figura 12, página 20.

- Coloque el interruptor en la posición **“OFF” (Apagado)**. Espere hasta que la sierra se detenga completamente y retire la llave del interruptor. Guarde la llave en un lugar seguro.

ANTES DE ABANDONAR LA SIERRA

Vea la figura 12, página 20.

- Coloque el interruptor en la posición **“OFF” (Apagado)**. Espere hasta que la sierra se detenga completamente y retire la llave del interruptor. Guarde la llave en un lugar seguro.
- Desenchufe la sierra de la fuente de alimentación.
- Mantenga el taller a prueba de niños.
- Suelte la tensión de la hoja de sierra que utiliza de la palanca tensión de la lame RAPID SET para prolongar la vida de la hoja.
- Cierre con llave el taller.

FUNCIONAMIENTO

INCLINACION DE LA MESA

Veá la figura 13, página 20.

- Afloje levemente la palanca de bloqueo de la mesa.
- Gire la perilla de ajuste de ángulo, inclinando la mesa de la sierra hacia la parte delantera de la caja de la sierra hasta que llegue al ángulo deseado.
- Usando el indicador de la escala, verifique las marcas de los ángulos.
- Vuelva a apretar la perilla de bloqueo de la mesa para asegurar la mesa de la sierra firmemente en su lugar.

USO DE LA GUÍA DE INGLETE

Veá las figuras 14 y 15, página 20.

La guía de inglete puede ser girada 30° a la izquierda o a la derecha.

- Afloje el botón de bloqueo de la guía de inglete.
- Con la guía de inglete colocada en la ranura de la guía de inglete, gire la guía hasta lograr el ángulo deseado en la escala indexada.
- Vuelva a apretar el botón de bloqueo.

AJUSTES



ADVERTENCIA:

Antes de efectuar cualquier ajuste, asegúrese de que la herramienta esté desconectada del suministro de corriente y de que el interruptor esté en la posición de apagado (off). La falta de atención a esta advertencia podría causar lesiones corporales graves.



ADVERTENCIA:

A fin de evitar una lesión personal, mantenga un ajuste apropiado de la tensión de la hoja, de la decentrado de la hoja, de las guías de la hoja y de los cojinetes de empuje.

INSTALACION Y AJUSTE DE LA HOJA

Veá la figura 16, página 21.

- Afloje y retire de la tornillo de mariposa, arandelas y la tuerca en D de la sierra de mesa.
- Abra las cubiertas delantera desenganchando el pestillo superior e inferior.
- Gire la palanca de bloqueo a la izquierda para desbloquear el conjunto de la guía de la hoja. Girando la perilla de la guía de la hoja (a la derecha se levanta el conjunto de la guía de la hoja; a la izquierda se baja) coloque el conjunto de la guía de la hoja aproximadamente en la mitad entre la mesa de la sierra y la caja de la sierra. Vuelva a apretar la palanca de bloqueo.
- Abra al protección de la hoja tirando el lado izquierdo del protección fuera y lejos de la rueda.

- Suelte toda la tensión de hoja de la hoja.
- Retire con cuidado la hoja antigua.
- Usando guantes, desenrolle cuidadosamente la hoja manteniéndola a distancia. Si la hoja nueva fué aceitada para evitar su oxidación, puede que sea necesario limpiarla para evitar que el aceite manche su pieza de trabajo. Limpie la hoja cuidadosamente en la misma dirección en que están dirigidos los dientes de modo que el paño no se enrede en los dientes de la hoja de la sierra.
NOTA: Puede que sea necesario dar vuelta la hoja al revés si es que los dientes están dirigidos en la dirección incorrecta. Sujete la hoja con ambas manos y gírela hacia adentro.
- Con los dientes de la hoja dirigidos hacia el izquierdo de la sierra y hacia abajo, coloque la hoja a través de las guías inferiores de la hoja y alrededor de la rueda inferior.
- Gire lentamente la rueda superior a la derecha con la mano para centrar la hoja en el bandaje de las ruedas.
- Ajuste la tensión de la hoja; verifique o ajuste el centrado de la hoja y vuelva a apretar la palanca RAPID SET detensión de la hoja.
- Ajuste tanto la guía superior como la inferior y los cojinetes de empuje como explicado luego en el manual del operador.
- Vuelva a instalar el tuerca en D, las arandelas y la tornillo de mariposa. Apriete firmemente.
- Cierre a instalar el protector de la hoja y las cubiertas delantera. Coloque los pestillos.

AJUSTES

AJUSTE DEL CONJUNTO DE LA GUÍA DE LA HOJA

Veá las figuras 17 y 18, página 21.

A fin de evitar que la hoja se tuerza o se rompa, el conjunto de la guía de la hoja debe estar ajustado aproximadamente a 1/8 pulg. (3 mm) por sobre la pieza de trabajo.

- Gire la palanca de bloqueo a la izquierda para desbloquear el conjunto de la guía de la hoja.
- Utilice como guía un resto de la misma madera que usted va a cortar para ajustar la altura del conjunto de la guía de la hoja girando la perilla de la guía de la hoja.
- Bloquee el conjunto de la guía de la hoja en su lugar girandola palanca de bloqueo a la derecha.
- Siempre bloquee el conjunto de la guía de la hoja en su lugar antes de poner en marcha la sierra.

AJUSTE DE LA SOPORTE DE LA GUÍA DE LA HOJA Y COJINETES DE EMPUJE

Veá la figura 19, página 22.

NOTA: Apriete firmemente la palanca de bloqueo y consulte los procedimientos para el **Ajuste de tensión de la hoja y centrado de hoja** explicados en la sección *ARMADO* de este manual del usuario antes ajuste.

Los cojinetes de empuje superior e inferior y guía del cojinete y apoyan la hoja de la sierra sin fin durante las operaciones de corte. Se debe verificar el ajuste de las guías y guía del cojinete siempre que se instale una hoja diferente.

Ajuste de los Cojinetes de Empuje:

Los cojinetes de empuje apoyan el borde trasero de la hoja durante los cortes. La hoja no debe tocar los cojinetes de empuje cuando deja de cortar. Es importante de que ambos cojinetes de empuje, superior e inferior, sean ajustados de igual manera.

- Abra al cubierta delantero y protección de la hoja.

- Usando la llave hex., afloje los tornillos del cojinete de empuje superior e inferior y el empujón cojinetes de empuje en la parte posterior de la sierra.
- Verifique que hoja de la sierra mirilla correctamente, entonces desliza el cojinete de empuje delantero hasta que el cojinete esté dentro de 0,4 mm (1/64 pulg.) de la hoja. Apriete firmemente el tornillo del cojinete de empuje.
- Deslice sconsinete inferior delantero hasta que tenga espacio libre apropiado. Apriete firmemente el tornillo del cojinete de empuje.

Ajuste del Soporte de la Guía de la Hoja:

- Afloje el tornillo de la guía de la hoja situado en el lado derecho del conjunto de la guía de la hoja usando la llave hexagonal.
 - Deslice el soporte superior de la guía de la hoja en el eje hasta que el borde delantero de la guía contacte la hoja de sierra detrás del garganta. Apriete firmemente vis.
 - Empuje la guía derecha para contactar la hoja y la liberación. Gire lentamente rueda una rotación llena. Apriete firmemente los tornillo fijador de la guía de la hoja.
 - Ajuste la guía izquierda de lado para permitir 0,4 mm (1/64 pulg.) espacio libre entre la hoja y la guía (acerca del espesor de un billete de un dólar) insertando billete de un dólar entre la guía y la hoja izquierdas.
 - Aplique presión para dejar pasador guía para tener billete de un dólar en el lugar. Apriete tornillo fijador y quite billete de un dólar.
 - Gire, a mano, una llenas tres rotaciones para asegurarse de que hoja no atará.
 - Cierre a instalar el protector de la hoja y las cubiertas delantera. Coloque los pestillos.
- Repita este procedimiento para el soporte inferior de la guía de la hoja.

MANTENIMIENTO

ADVERTENCIA:

Al dar servicio a la unidad, sólo utilice piezas de repuesto idénticas. El empleo de piezas diferentes puede causar un peligro o dañar el producto.

ADVERTENCIA:

Siempre póngase protección ocular con la marca de cumplimiento de la norma ANSI Z87.1. Si la operación genera mucho polvo, también póngase una mascarilla contra el polvo.

ADVERTENCIA:

Antes de efectuar cualquier mantenimiento, asegúrese de que la herramienta esté desconectada de la fuente de alimentación y que el interruptor esté en la posición apagado. El incumplimiento de esta advertencia puede causar una lesión personal grave.

MANTENIMIENTO GENERAL

Evite el empleo de solventes al limpiar piezas de plástico. La mayoría de los plásticos son susceptibles a diferentes tipos de solventes comerciales y pueden resultar dañados. Utilice paños limpios para eliminar la suciedad, el polvo, el aceite, la grasa, etc.

ADVERTENCIA:

No permita en ningún momento que fluidos para frenos, gasolina, productos a base de petróleo, aceites penetrantes, etc., lleguen a tocar las piezas de plástico. Las sustancias químicas pueden dañar, debilitar o destruir el plástico, lo cual a su vez puede producir lesiones corporales serias.

- Mantenga su sierra sin fin limpia.
- Limpie el aserrín en el interior con frecuencia.
- No permita que la acumulación de resina en la mesa de la sierra, en las guías de la hoja ni en los cojinetes de empuje. Límpielos con un producto para limpiar resina y alquitrán.
- Aplique una capa delgada de cera tipo de automóvil en la superficie de la mesa de la sierra de modo que la madera se deslice más fácilmente cuando se esté cortando.

LUBRICACIÓN

Todos los cojinetes de esta herramienta están lubricados con suficiente cantidad de aceite de alta calidad para toda la vida útil de la unidad en condiciones normales de funcionamiento. Por lo tanto, no se necesita lubricación adicional.

MOTOR/COMPONENTES ELECTRICOS

- Utilice una aspirador o soplador para limpiar el aserrín del motor.

BANDAJS

Limpieza de los bandajes:

- En los bandajes se acumular resina y aserrín y necesitan ser quitados con una escobilla de alambre fino o con un pedazo de madera. **No** use un cuchillo afilado ni ninguna clase de solvente.

Reemplazo de los bandajes:

- Abra la cubierta delantera y retire la hoja de la sierra. Vea en la página 13 la sección “**Instalación y Ajuste de la Hoja**”.
- Levante cuidadosamente el bandaje gastado para sacarlo de la rueda.
- Estire para colocar el nuevo bandaje en la rueda.
- Vuelva a colocar la hoja de la sierra y cierre la cubierta delantera.

ESCOBILLA

Vea la figura 21, página 22.

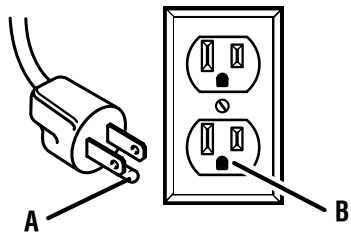
Existe una escobilla situada en el interior de la caja de la sierra, junto a las ruedas. Ayuda a proteger el bandaje y la rueda limpiando el aserrín. A medida que la escobilla se gasta, será necesario ajustarla o reemplazarla.

- Retire la tornillo y arandela y luego tire de la escobilla para sacarla.
- Coloque la nueva escobilla en la ranura.
- Vuelva a apretar usando el tornillo y arandela.

REPARACION DE AVERIAS

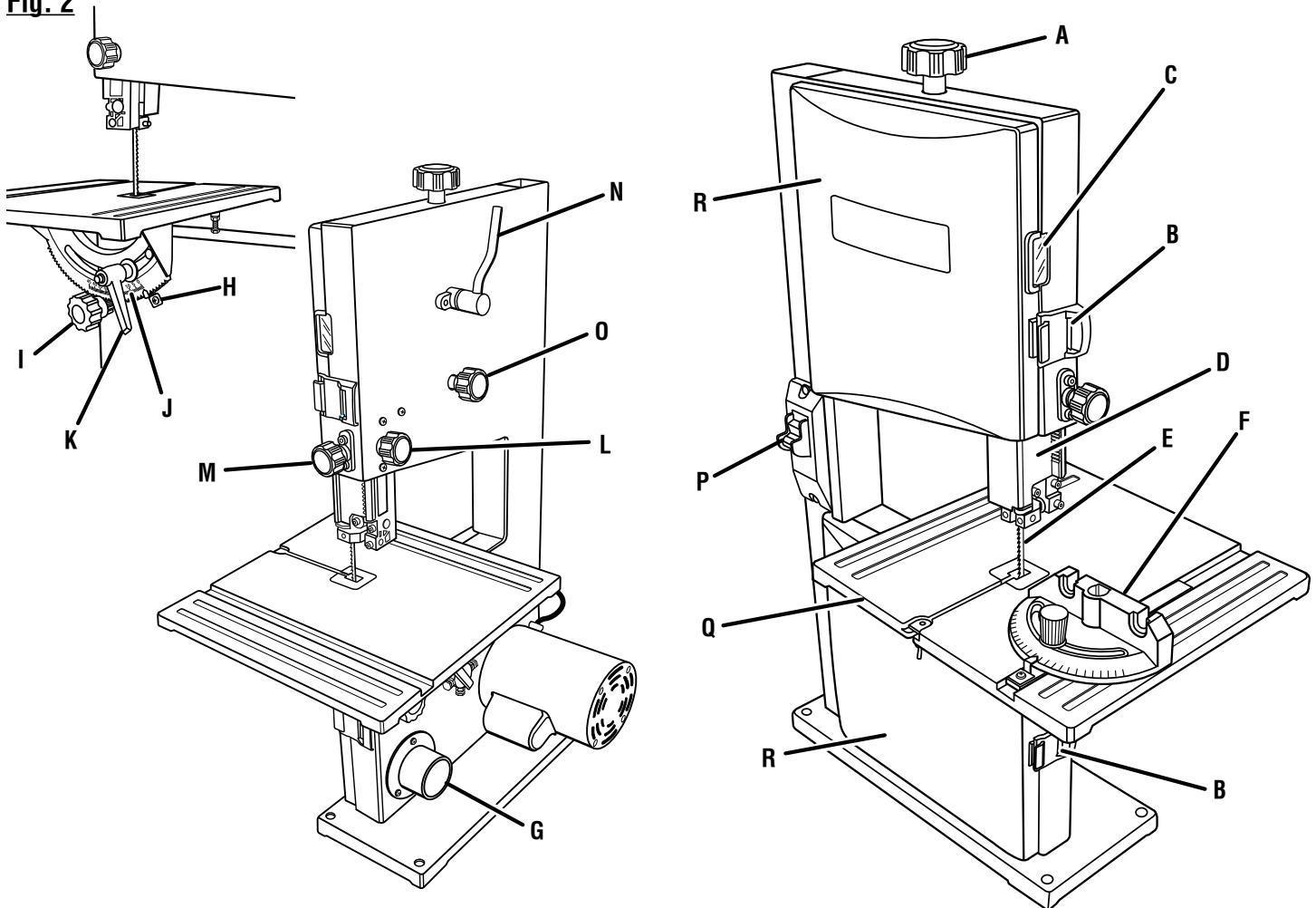
PROBLEMA	CAUSA	SOLUCION
Motor no funciona.	<ol style="list-style-type: none"> 1. Problema con el interruptor de Encendido/Apagado o con el cordón eléctrico. 2. Motor defectuoso. 3. Hoja ata. 	<ol style="list-style-type: none"> 1. Haga reemplazar las piezas gastadas antes de usar nuevamente su sierra de banda. 2. No intente ninguna reparación. Haga reparar la herramienta por un técnico de servicio calificado. 3. Retirar de material atorado.
La hoja no se mantiene en el centro aproximado de la rueda superior.	<ol style="list-style-type: none"> 1. No está centrada en forma debida. 	<ol style="list-style-type: none"> 1. Ajuste la tensión. Ver en la sección <i>Ajustes</i>, Ajuste de la Tensión de la Hoja. 2. Reparen la unidad en un centro de servicio autorizado.
La sierra de banda pierde velocidad cuando está cortando.	<ol style="list-style-type: none"> 1. Está cortando un radio muy pequeño. 2. Hoja desafilada. 	<ol style="list-style-type: none"> 1. Deje de alimentar la pieza y retroceda el material levemente hasta que la sierra adquiera velocidad. 2. Reemplace la hoja.
La hoja se rompe.	<ol style="list-style-type: none"> 1. La hoja está demasiado tensa. 2. Hoja torcida causada por corte de un radio muy pequeño o por girar el material muy rápido cuando está cortando. 3. Los cojinetes de empuje están deformados o no giran. 	<ol style="list-style-type: none"> 1. Ajuste la tensión. Ver en la sección <i>Ajustes</i>, “Ajuste de la Tensión de la Hoja”. 2. Use la técnica de corte correcta. Ver la sección <i>Funcionamiento</i>. 3. Reemplace los cojinetes de empuje.
La sierra hace mucho ruido cuando funciona.	<ol style="list-style-type: none"> 1. La hoja está demasiado tensa. 2. Las guías de la hoja y cojinetes están tocando la hoja. 	<ol style="list-style-type: none"> 1. Ajuste la tensión. Ver en la sección <i>Ajustes</i>, Ajuste de la Tensión de la Hoja. 2. Ajuste la guía superior e inferior de la hoja y los cojinetes. Ver en la sección <i>Ajustes</i>, Ajuste de los Cojinetes de Empuje y de Soporte de la Guía de la Hoja.
La hoja no corta derecho.	<ol style="list-style-type: none"> 1. Las guías de la hoja y los cojinetes no están debidamente ajustados. 2. La hoja está gastada o defectuosa. 	<ol style="list-style-type: none"> 1. Ajuste la guía superior e inferior de la hoja y los cojinetes. Ver en la sección <i>Ajustes</i>, Ajuste de los Cojinetes de Empuje y de Soporte de la Guía de la Hoja. 2. Reemplace la hoja.
Las guías de la hoja no se mantienen en su posición.	<ol style="list-style-type: none"> 1. Se aflojaron los tornillo de la guía de la hoja. 	<ol style="list-style-type: none"> 1. Apriete firmemente los tornillos de la guía de la hoja.
El motor funciona pero la hoja no gira	<ol style="list-style-type: none"> 1. Tensión no conjunto apropiadamente. 2. Correa de transmisión rota. 	<ol style="list-style-type: none"> 1. Palanca de la Tensión de la Hoja del uso RAPID SET para poner la tensión. 2. Reparen la unidad en un centro de servicio autorizado.

Fig. 1



- A - Grounding pin (broche de terre, punta de conexión a tierra)
B - 120 V grounded outlet (prise secteur 120 V mise à la terre, toma de corriente con tierra, de 120 V)

Fig. 2

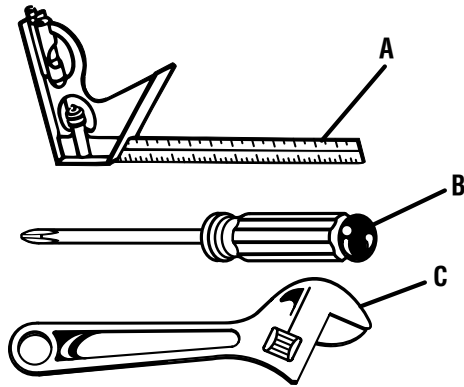


- A - Blade tension knob (bouton de réglage de la tension de la lame, perilla de ajuste de la tensión de la hoja)
B - Latch (loquet, pestillo)
C - Tracking view window (hublot de vérification du centrage, mirilla de centrado)
D - Blade guard (protège-lame, protector de la hoja)
E - Saw blade (lame de scie, hoja de la sierra)
F - Miter gauge (guide d'onglet, guía de inglete)
G - Dust exhaust port (évacuation de sciure, orificio de escape del polvo)
H - Scale indicator (indicateur d'échelle, indicador de la escala)
I - Angle adjustment knob (bouton de réglage de l'inclinaison, perilla de ajuste del angulo)

- J - Scale (échelle, escala)
K - Table lock lever (levier de verrouillage de table, palanca de bloqueo de la mesa)
L - Lock knob (bouton de verrouillage, palanca de bloqueo)
M - Blade guide adjustment knob (bouton de réglage de guide lame, perilla de ajuste de la guía de la hoja)
N - RAPID SET blade tension lever (levier de tension de lame RAPID SET, palanca RAPID SET de tensión de la hoja)
O - Tracking knob (bouton de réglage du centrage, boton de centrado)
P - Switch and switch key (interrupteur et clé d'interrupteur, interruptor y llave del interruptor)
Q - Saw table (table de la scie, mesa de la sierra)
R - Front cover (couvercle avant, cubierta delantero)

Fig. 3

**TOOLS NEEDED
OUTILS NÉCESSAIRES
HERRAMIENTAS NECESARIAS**



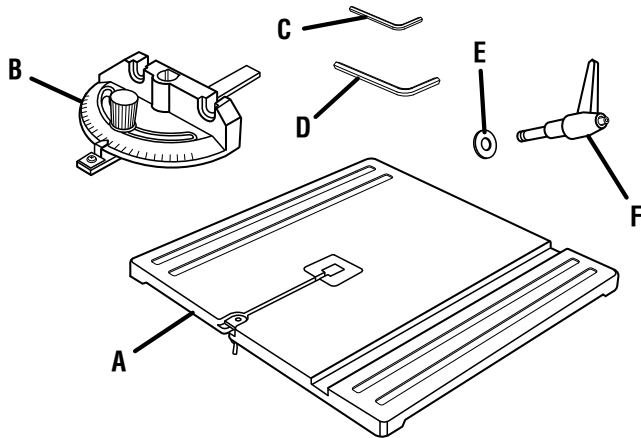
The following tools (not included) are needed for making adjustments or installing the blade:

Les outils suivants (non fournis) sont nécessaires pour le réglage et l'installation de la lame :

Se necesitan las siguientes herramientas (no vienen incluidas) para efectuar ajustes o instalar la hoja:

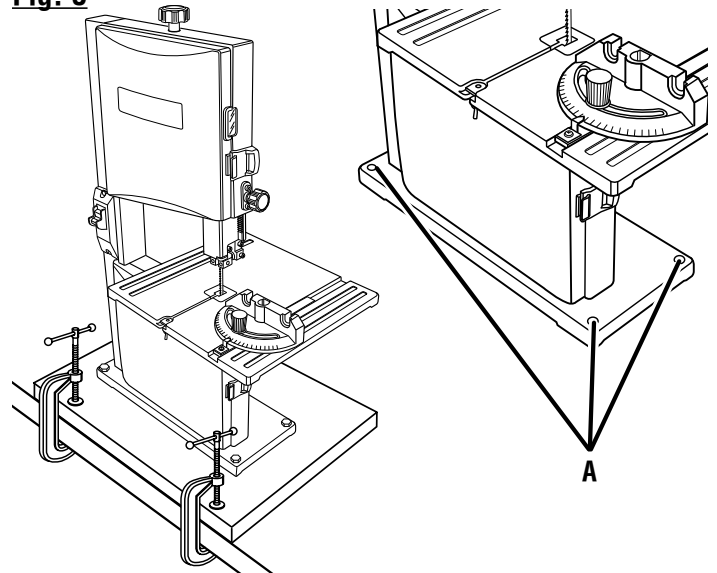
- A - Small combination square (petit équerre combinée, escuadra combinada pequeña)
- B - Phillips screwdriver (tournevis cruciforme, destornillador phillips)
- C - Adjustable wrench (clé a molette, llave ajustable)

Fig. 4



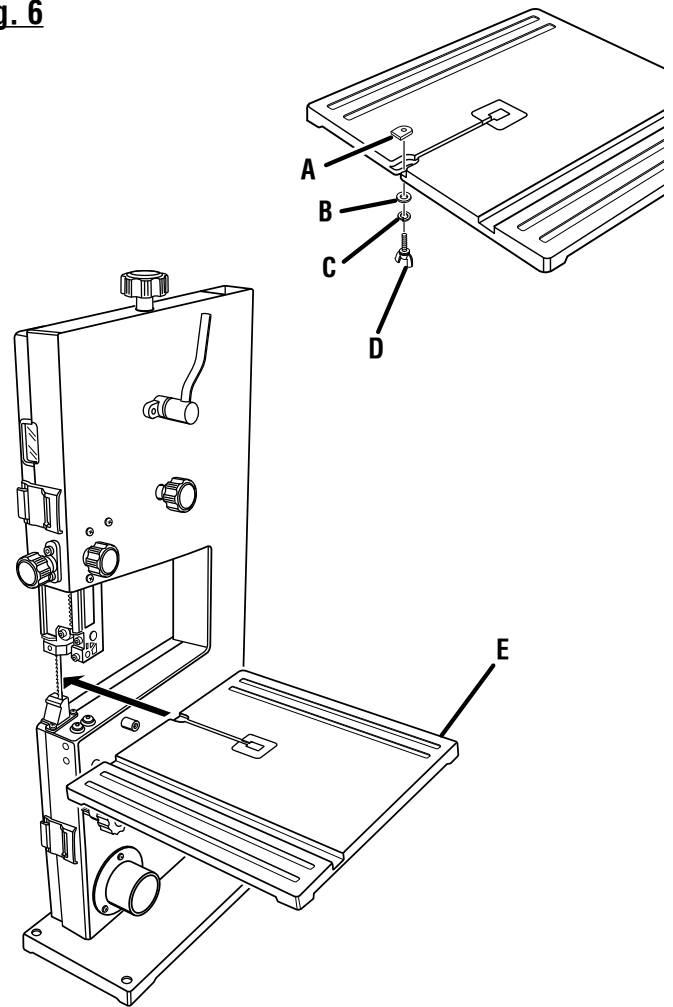
- A - Saw table (table de la scie, mesa de la sierra)
- B - Miter gauge (guide d'onglet, guía de inglete)
- C - Hex key, 2 mm (clé hexagonale de 2 mm, llave hex. de 2 mm)
- D - Hex key, 4 mm (clé hexagonale de 4 mm, llave hex. de 4 mm)
- E - Washer (rondelle, arandela)
- F - Table lock lever (levier de verrouillage de table, palanca de bloqueo de la mesa)

Fig. 5



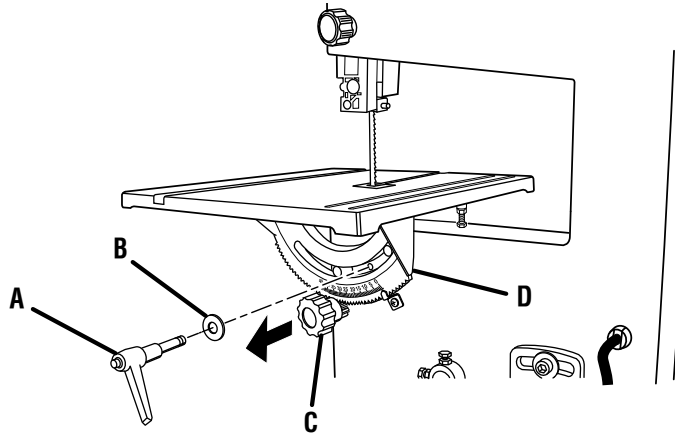
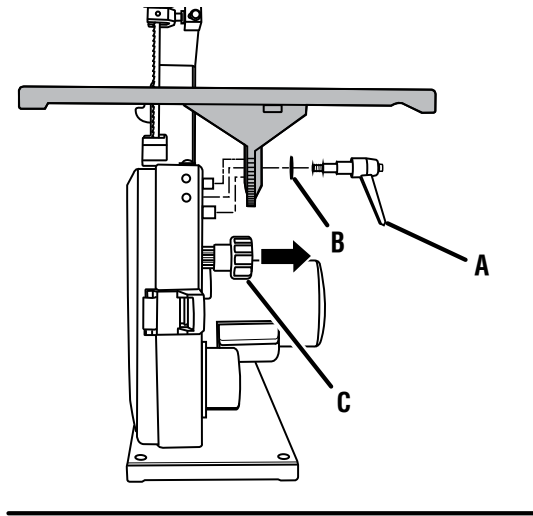
A - Holes in saw base (trous de la base de la scie, orificios de la base de la sierra)

Fig. 6



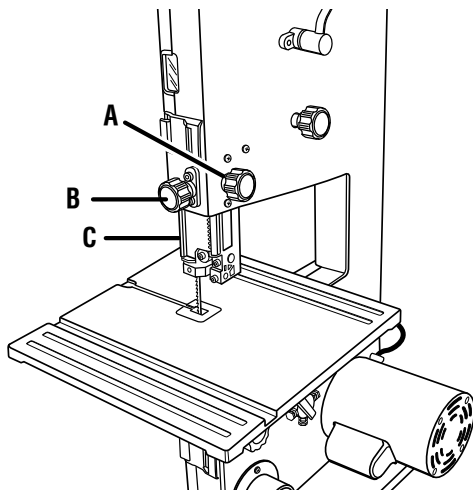
- A - D-nut (écrou en D, tuerca en D)
- B - Washer (rondelle, arandela)
- C - Lock washer (rondelle de blocage, arandela de seguridad)
- D - Wing screw (vis à oreilles, tornillo de mariposa)
- E - Saw table (table de la scie, mesa de la sierra)

Fig. 7



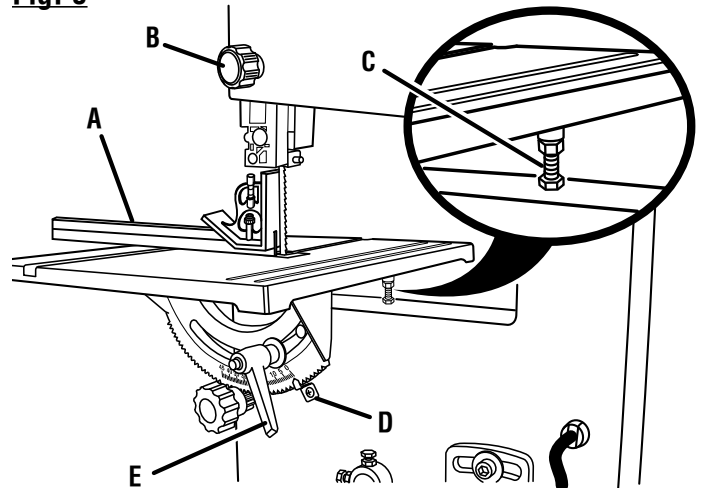
- A - Table lock lever (levier de verrouillage de table, palanca de bloqueo de la mesa)
- B - Washer (rondelle, arandela)
- C - Angle adjustment knob (boulon de réglage, perno de ajuste)
- D - Saw table bracket (support de la table, soporte de la mesa de la sierra)

Fig. 8



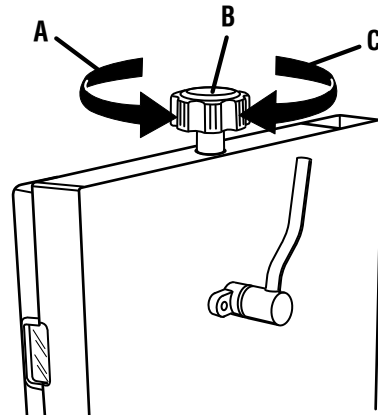
- A - Lock knob (bouton de verrouillage, perilla de bloqueo)
- B - Blade guide adjustment knob (bouton de réglage de guide lame, perilla de ajuste de la guía de la hoja)
- C - Blade guide assembly (ensemble de guide-lame, conjunto de la guía de la hoja)

Fig. 9



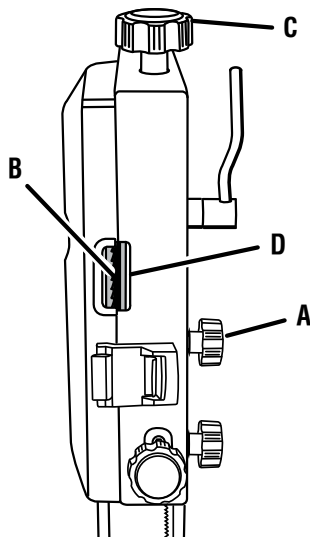
- A - Small combination square (petite équerre à combinaisons, escuadra combinada pequeña)
- B - Lock knob (bouton de verrouillage, perilla de bloqueo)
- C - Adjusting Bolt (boulon de réglage, perno de ajuste)
- D - Scale indicator (indicateur d'échelle, indicador de la escala)
- E - Table lock lever (levier de verrouillage de table, palanca de bloqueo de la mesa)

Fig. 10



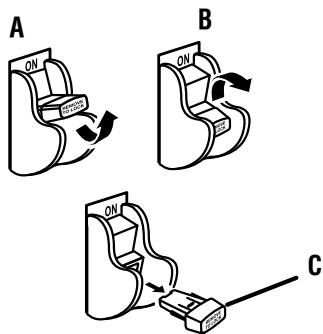
- A - To decrease tension (diminution, para disminuir la tensión)
- B - Blade tension knob (bouton de réglage de la tension, perilla de ajuste de la tensión de la hoja)
- C - To increase tension (augmentation, para aumentar la tensión)

Fig. 11



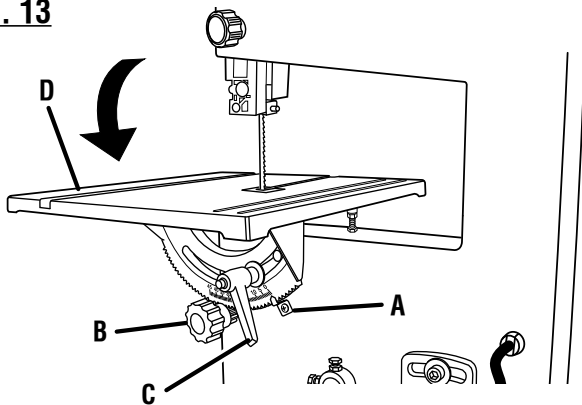
- A - Tracking knob (bouton de réglage du centrage, boton de centrado)
- B - Blade on wheel (lame sur le volant, hoja en la rueda)
- C - Blade tension knob (bouton de réglage de la tension de la lame, perilla de ajuste de la tensión de la hoja)
- D - Tracking view window (hublot de vérification du centrage, mirilla de centrado)

Fig. 12



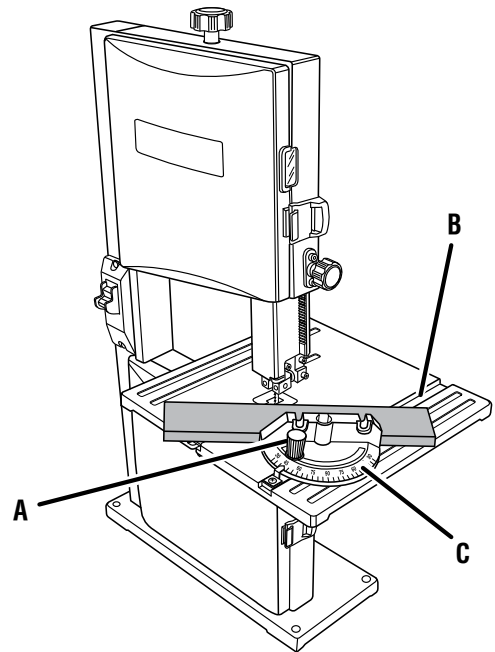
- A - On (marche, marcha)
- B - Off (arrêt, apagado)
- C - Switch key (clé de commutateur, llave del interruptor)

Fig. 13



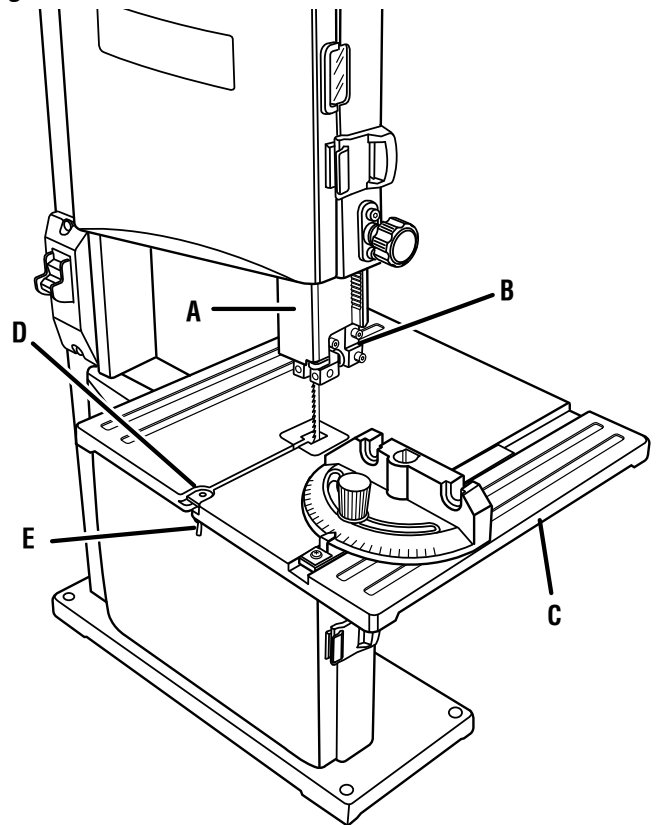
- A - Scale indicator (indicateur d'échelle, indicador de la escala)
- B - Angle adjustment knob (bouton de réglage de l'inclinaison, perilla de ajuste del ángulo)
- C - Table lock lever (levier de verrouillage de table, palanca de bloqueo de la mesa)
- D - Saw table (table de la scie, mesa de la sierra)

Fig. 14



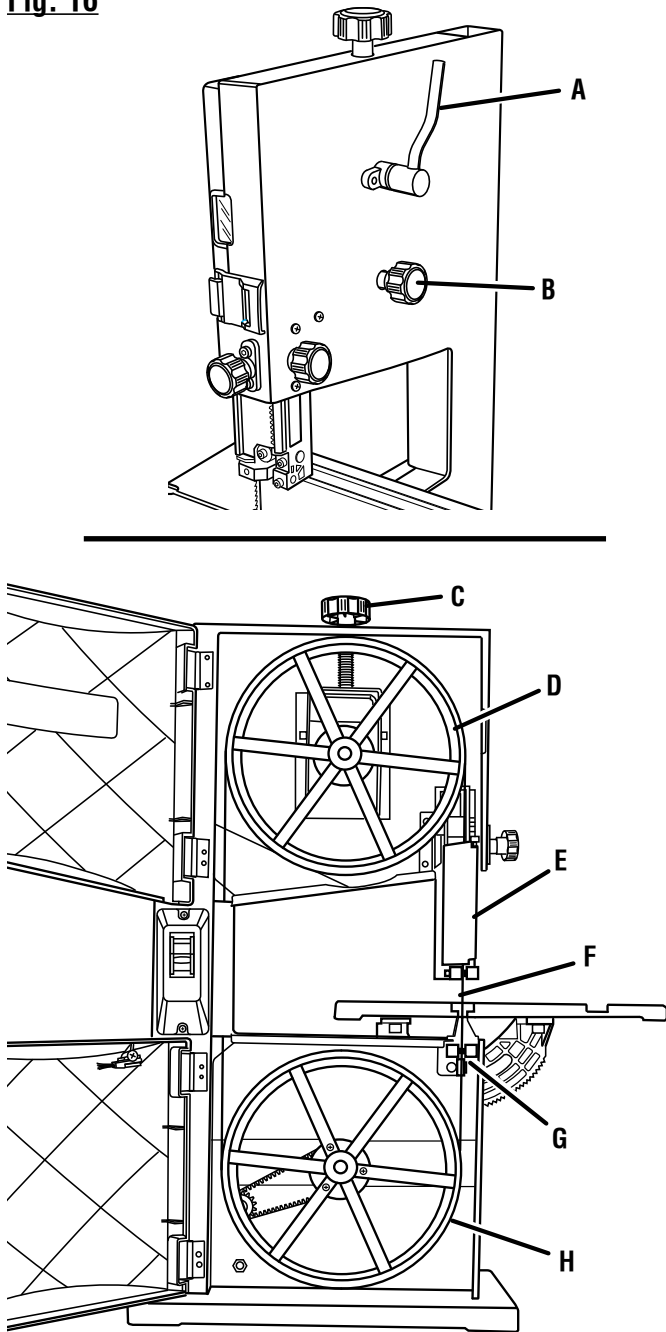
- A - Lock knob (bouton de verrouillage, perilla de bloqueo)
- B - Miter gauge slot (rainure de guide d'onglet, ranura de la guía de inglete)
- C - Miter gauge (guide d'onglet, guía de inglete)

Fig. 15



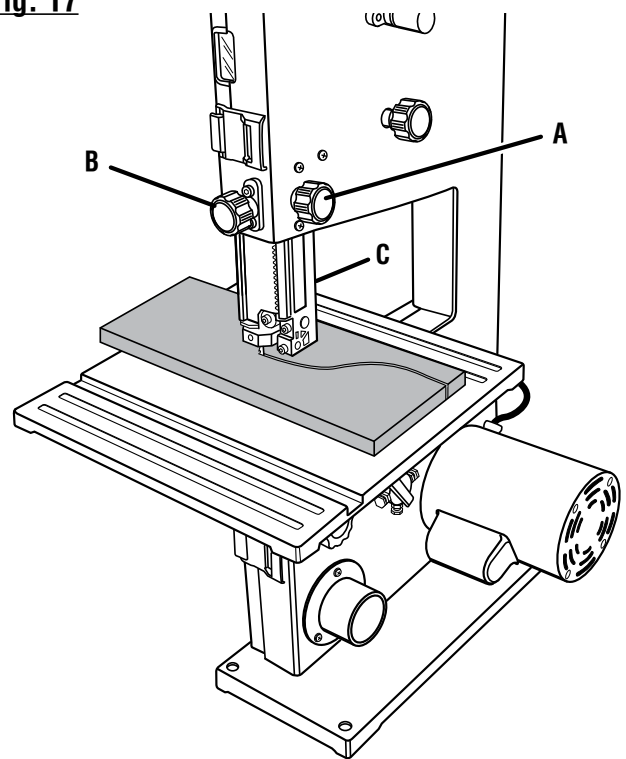
- A - Blade guard (protège-lame, protector de la hoja)
- B - Phillips screws (vis de cruciforme, tornillos de phillips)
- C - Saw table (table de la scie, mesa de la sierra)
- D - D-nut (écrou en D, tuerca en D)
- E - Wing screw (vis à oreilles, tornillo de mariposa)

Fig. 16



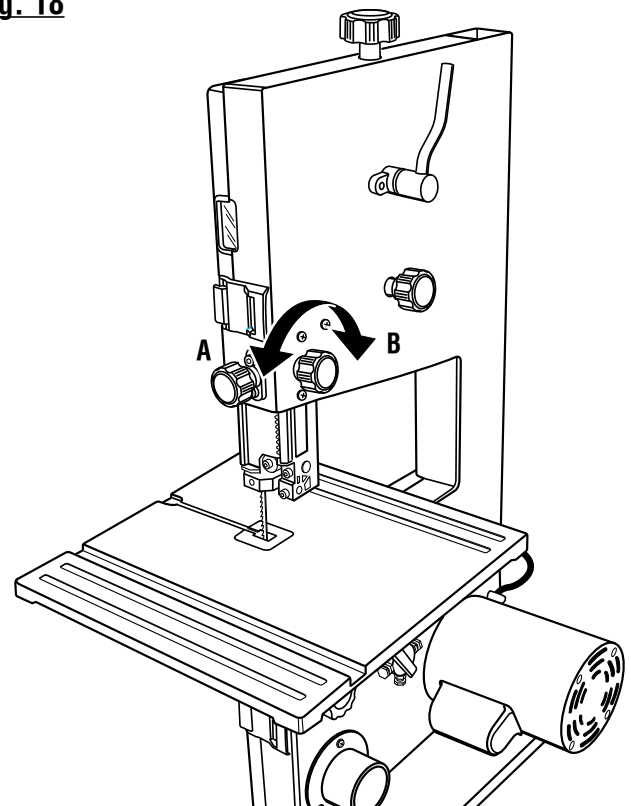
- A - RAPID SET blade tension lever (levier de tension de lame RAPID SET, palanca RAPID SET detensión de la hoja)
- B - Tracking knob (bouton de réglage du centrage, boton de centrado)
- C - Blade tension knob (bouton de réglage de la tension de la lame, perilla de ajuste de la tensión de la hoja)
- D - Upper wheel (volant supérieur, rueda superior)
- E - Blade guide assembly (ensemble de guide-lame, conjunto de la guía de la hoja)
- F - Saw blade (lame de scie, hoja de la sierra)
- G - Lower blade guides (guides-lame inférieur, guías inferiores de la hoja)
- H - Lower wheel (volant inférieur, rueda inferior)

Fig. 17



- A - Lock knob (bouton de verrouillage, perilla de bloqueo)
- B - Blade guide knob (bouton de guide-lame, perilla de la guía de la hoja)
- C - Blade guide assembly (ensemble de guide-lame, conjunto de la guía de la hoja)

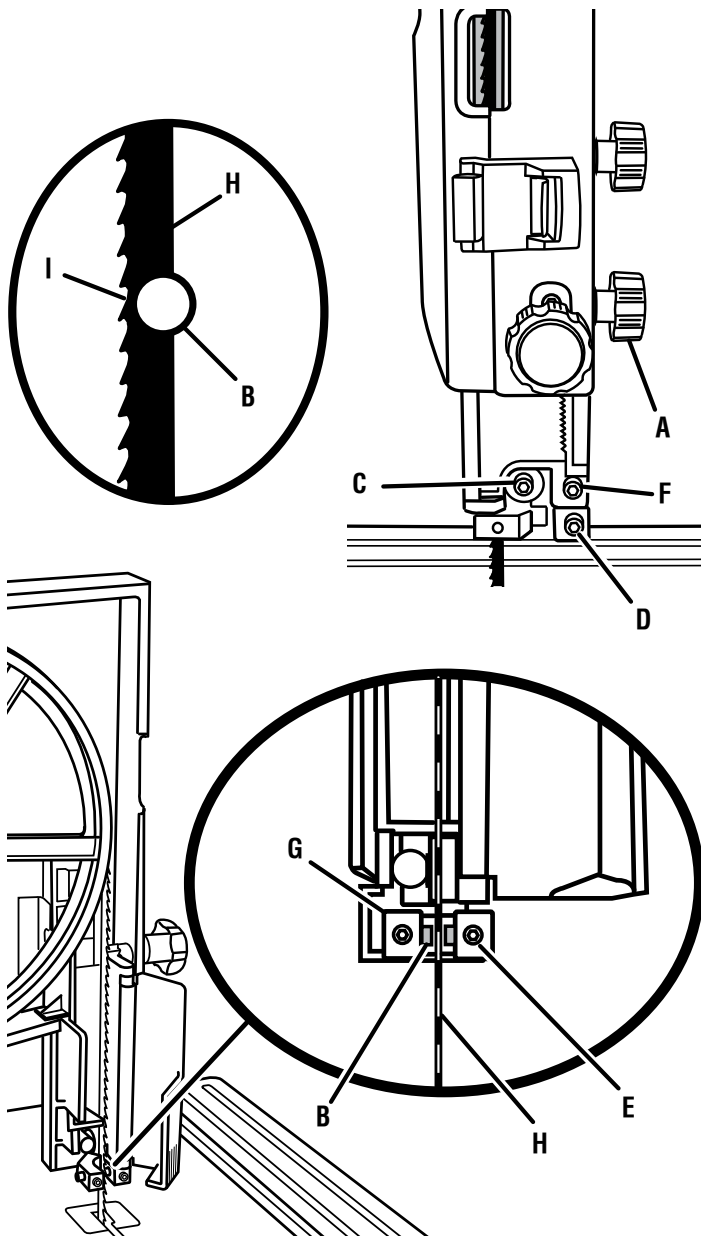
Fig. 18



- A - Unlock (déverrouillage, desbloquear)
- B - Lock (verrouillage, bloquear)

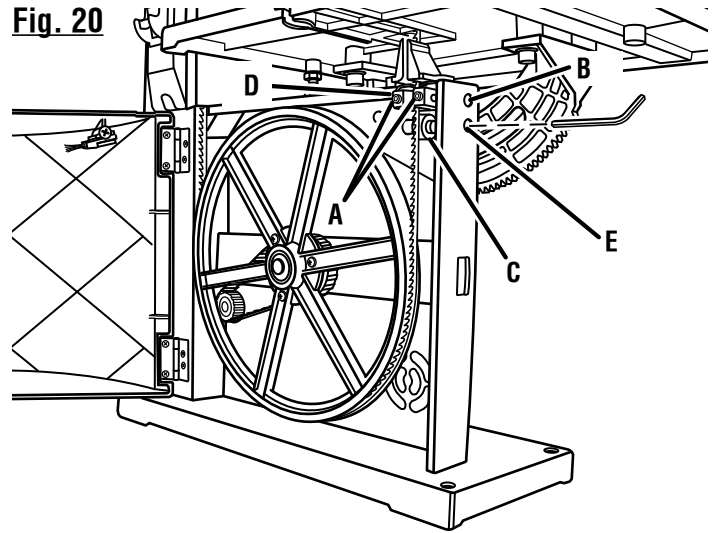
Fig. 19

**BLADE GUARD REMOVED FOR CLARIFICATION ONLY
LE PROTÈGE-LAME EST ENLEVÉ UNIQUEMENT POUR LA
COMPRÉHENSION DU SCHÉMA
PROTECTOR DE LA HOJA RETIRADO PARA MAYOR
CLARIDAD SOLAMENTE**



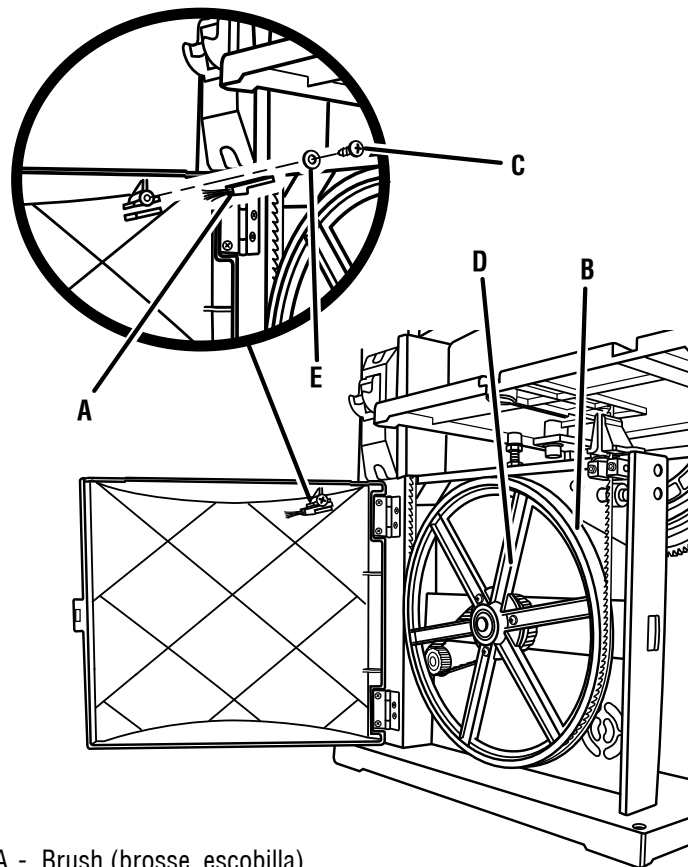
- A - Lock knob (bouton de verrouillage, perilla de bloqueo)
- B - Blade guide (guide-lame supérieur, la guía de la hoja)
- C - Thrust bearing (roulement d'appui, cojinete de empuje)
- D - Blade guide support screw (vis du support de guide-lame, tornillo del soporte de la guía de la hoja)
- E - Blade guide set screw (vis d'arrêt de guide-lame, tornillo fijador de la guía de la hoja)
- F - Thrust bearing screw (vis de roulement d'appui, tornillo del cojinete de empuje)
- G - Upper blade guide support (support de guide-lame supérieur, soporte superior de la guía de la hoja)
- H - Blade (lame, hoja)
- I - Gullet (creux, garganta)

Fig. 20



- A - Blade guide screw (vis de guide-lame, tornillo de la guía de la hoja)
- B - Blade guide support screw (vis du support de guide-lame, tornillo del soporte de la guía de la hoja)
- C - Thrust bearing (roulement d'appui, cojinete de empuje)
- D - Lower blade guide support (support du guide-lame inférieur, soporte inferior de la guía de la hoja)
- E - Thrust bearing screw (vis de roulement d'appui, tornillo del cojinete de empuje)

Fig. 21



- A - Brush (brosse, escobilla)
- B - Tire (bandage, bandaje)
- C - Screw (vis, tornillo)
- D - Lower wheel (volant inférieur, rueda inferior)
- E - Washer (rondelle, arandela)



OPERATOR'S MANUAL / 9 in. BAND SAW

MANUEL D'UTILISATION / SCIE À RUBAN DE 229 mm (9 po)

MANUAL DEL OPERADOR / SIERRA SIN FIN DE 229 mm (9 pulg.)

BS904/BS904G

• PARTS AND SERVICE

Prior to requesting service or purchasing replacement parts, please obtain your model and serial number from the product data plate.

- MODEL NUMBER _____
- SERIAL NUMBER _____

• HOW TO OBTAIN REPLACEMENT PARTS:

Replacement parts can be purchased online at www.ryobitools.com or by calling 1-800-525-2579. Replacement parts can also be obtained at one of our Authorized Service Centers.

• HOW TO LOCATE AN AUTHORIZED SERVICE CENTER:

Authorized Service Centers can be located online at www.ryobitools.com or by calling 1-800-525-2579.

• HOW TO OBTAIN CUSTOMER OR TECHNICAL SUPPORT:

To obtain Customer or Technical Support please contact us at 1-800-525-2579.

RYOBI® is a registered trademark of Ryobi Limited used under license.

• PIÈCES ET SERVICE

Avant de faire la demande de service ou l'achat de pièces de remplacement, veuillez obtenir le numéro de série du modèle à partir de la plaque de données du produit.

- NUMÉRO DE MODÈLE _____
- NUMÉRO DE SÉRIE _____

• COMMENT OBTENIR LES PIÈCES DE REMPLACEMENT :

Les pièces de remplacement peuvent être achetées en ligne sur le site www.ryobitools.com ou par téléphone au 1-800-525-2579. Les pièces de remplacement peuvent être obtenues à un de nos centres de service autorisés.

• COMMENT TROUVER UN CENTRE DE SERVICE AUTORISÉ :

Les centres de service autorisés peuvent être localisés en ligne au www.ryobitools.com ou en téléphonant au 1-800-525-2579.

• COMMENT OBTENIR DE L'AIDE EN CONTACTANT LE SERVICE À LA CLIENTÈLE :

Pour contacter le service à la clientèle pour une question technique ou pour tout autre renseignement, veuillez nous téléphoner au 1-800-525-2579.

RYOBI® est une marque déposée de Ryobi Limited utilisée sous licence.

• PIEZAS DE REPUESTO Y SERVICIO

Antes de solicitar servicio técnico o comprar piezas de repuesto, obtenga su modelo y número de serie de la placa de datos del producto.

- NÚMERO DE MODELO _____
- NÚMERO DE SERIE _____

• CÓMO OBTENER PIEZAS DE REPUESTO:

Las piezas de repuesto se pueden comprar en nuestro sitio en la red mundial, en la dirección www.ryobitools.com o llamando al 1-800-525-2579. Las piezas de repuesto también se pueden obtener en uno de nuestros Centros de Servicio Autorizados.

• CÓMO LOCALIZAR UN CENTRO DE SERVICIO AUTORIZADO:

Puede encontrar los Centros de Servicio Autorizados visitando nuestro sitio en la red mundial, en la dirección www.ryobitools.com o llamando al 1-800-525-2579.

• CÓMO OBTENER SERVICIO O ASISTENCIA TÉCNICA AL CONSUMIDOR:

Para obtener Servicio o Asistencia Técnica al Consumidor, sírvase comunicarse con nosotros llamando al 1-800-525-2579.

RYOBI® es una marca comercial registrada de Ryobi Limited y es empleada mediante autorización.

ONE WORLD TECHNOLOGIES, INC.

1428 Pearman Dairy Road, Anderson, SC 29625 • Phone 1-800-525-2579
États-Unis, Téléphone 1-800-525-2579 • USA, Teléfono 1-800-525-2579

www.ryobitools.com

990000198

11-13-13 (REV:03)